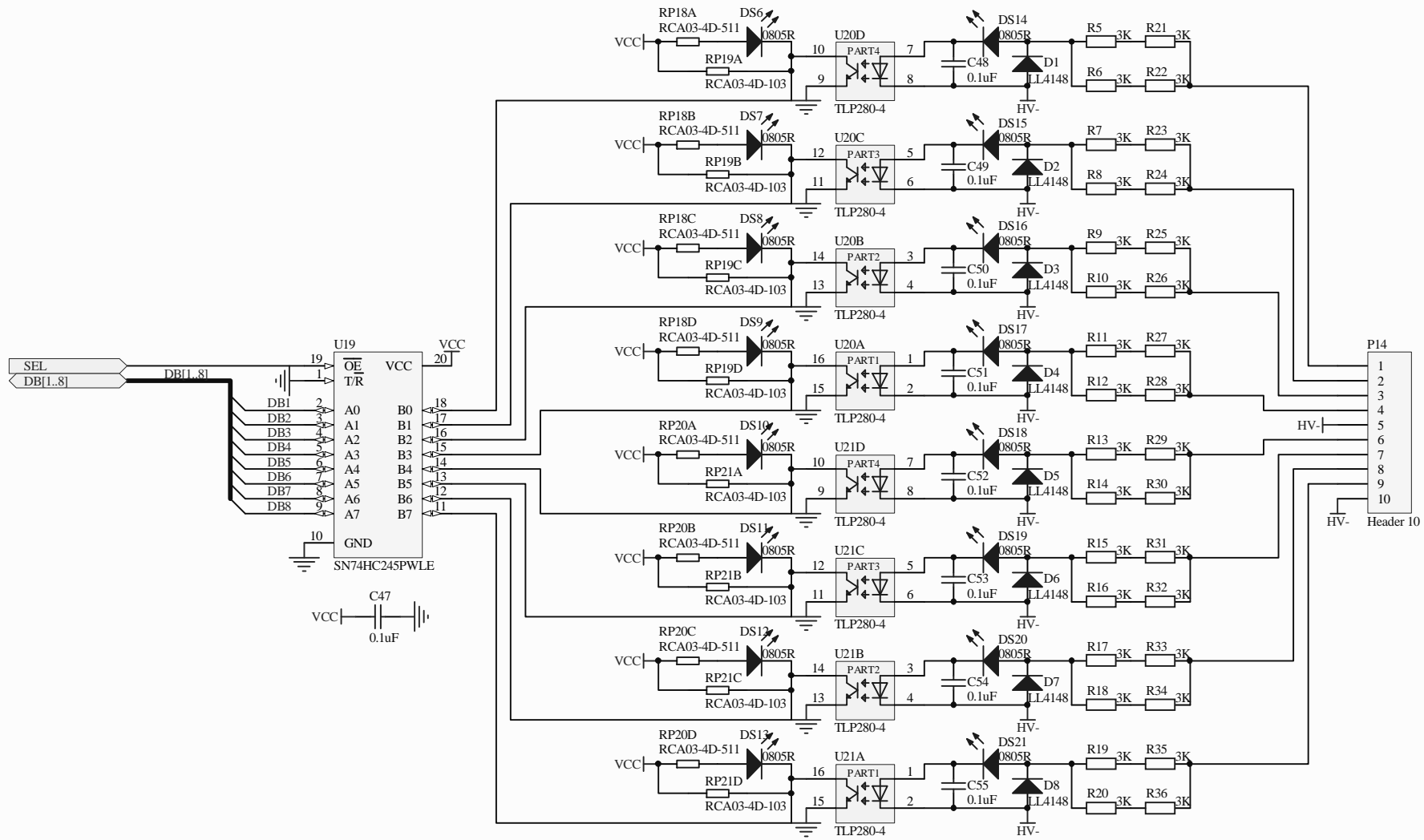
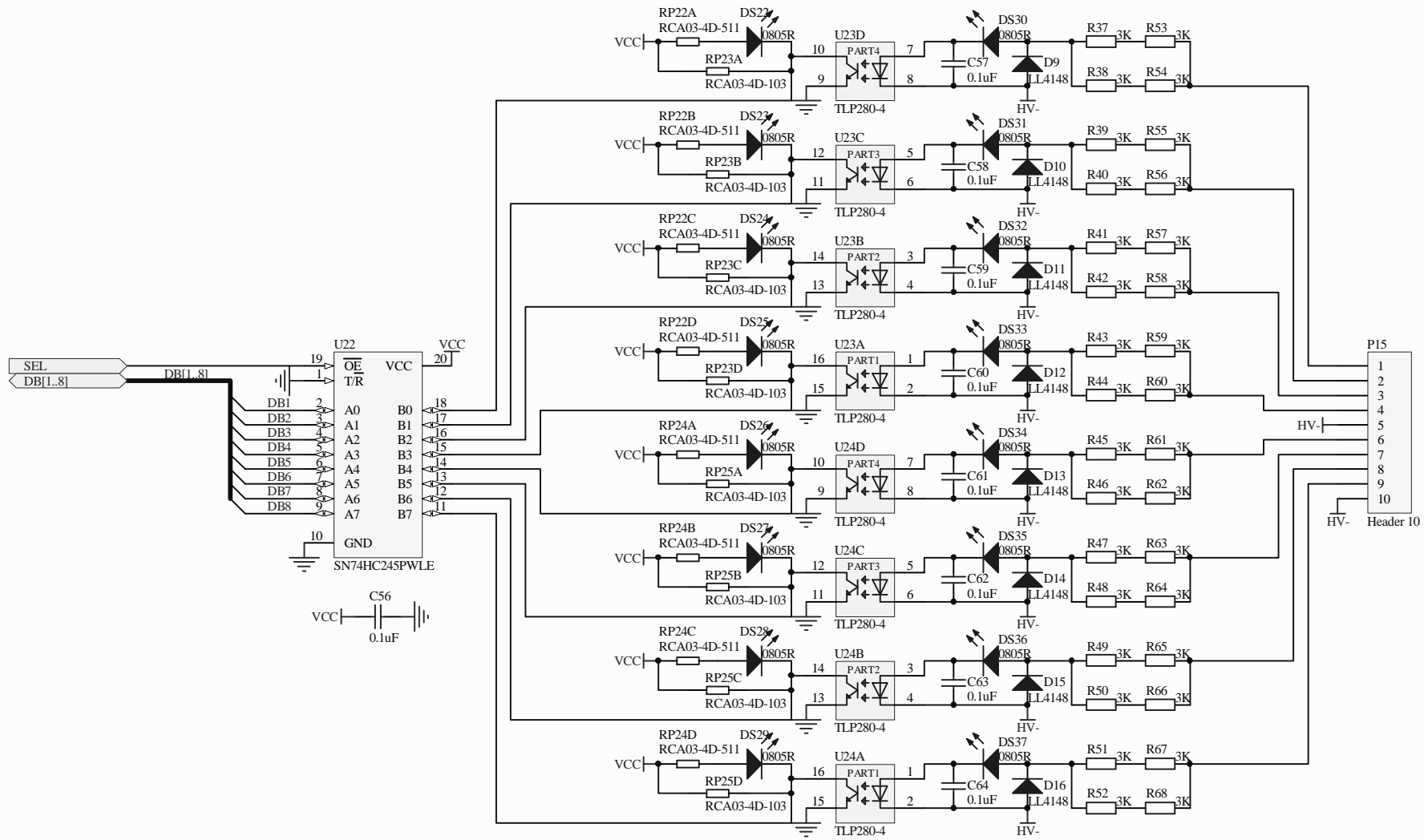


Title		
Size	Number	Revision
A4		
Date:	2008-11-5	Sheet of
File:	L:\doc1\MCU.SCHDOC	Drawn By:



Title		
Size	Number	Revision
A4		
Date:	2008-11-5	Sheet of
File:	L:\doc1\...\8ch_input1.SCHDOC	Drawn By:



Title		
Size	Number	Revision
A4		
Date:	2008-11-5	Sheet of
File:	L:\doc1\...\sch_input2.SCHDOC	Drawn By:

1

2

3

4

A

A

B

B

C

C

D

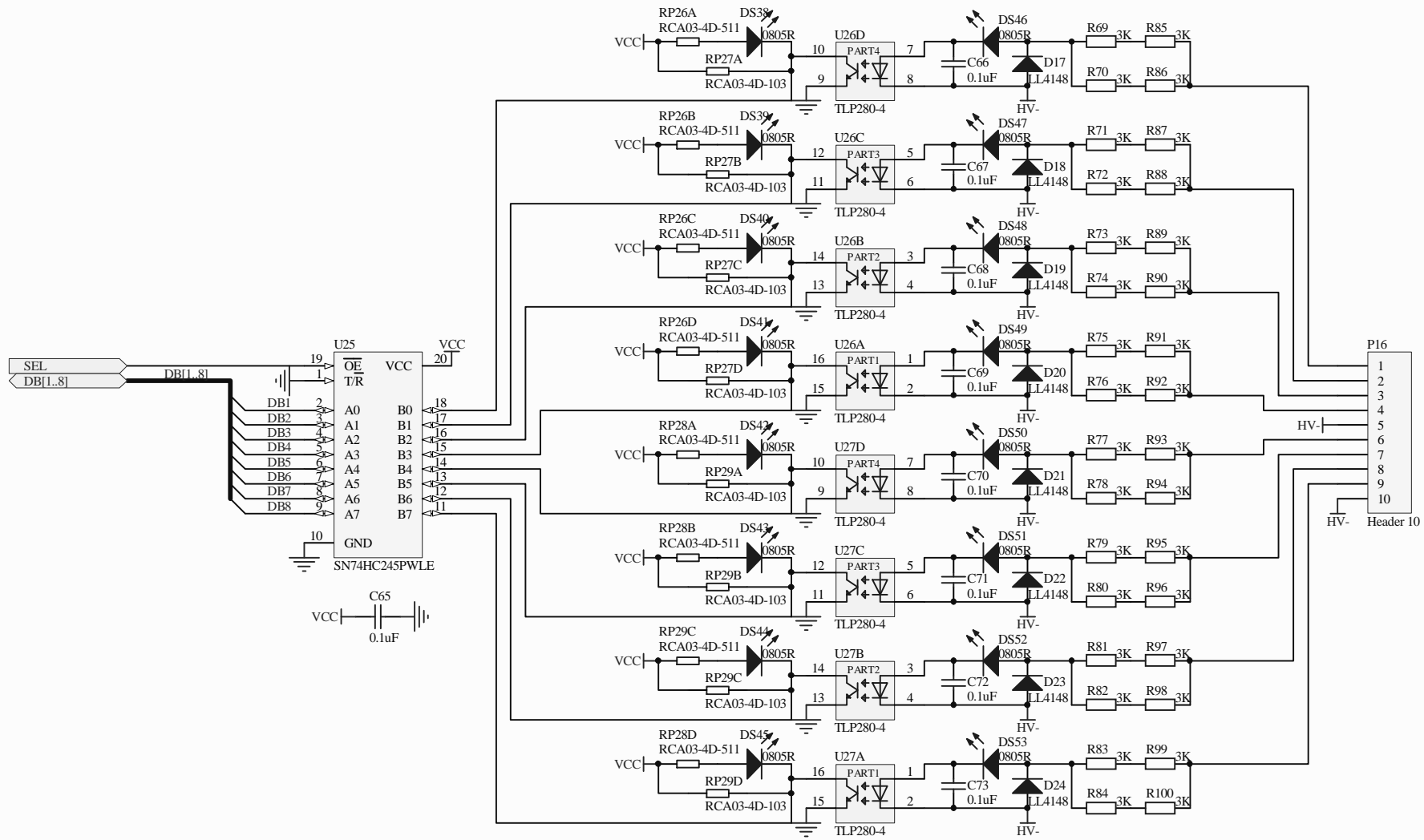
D

1

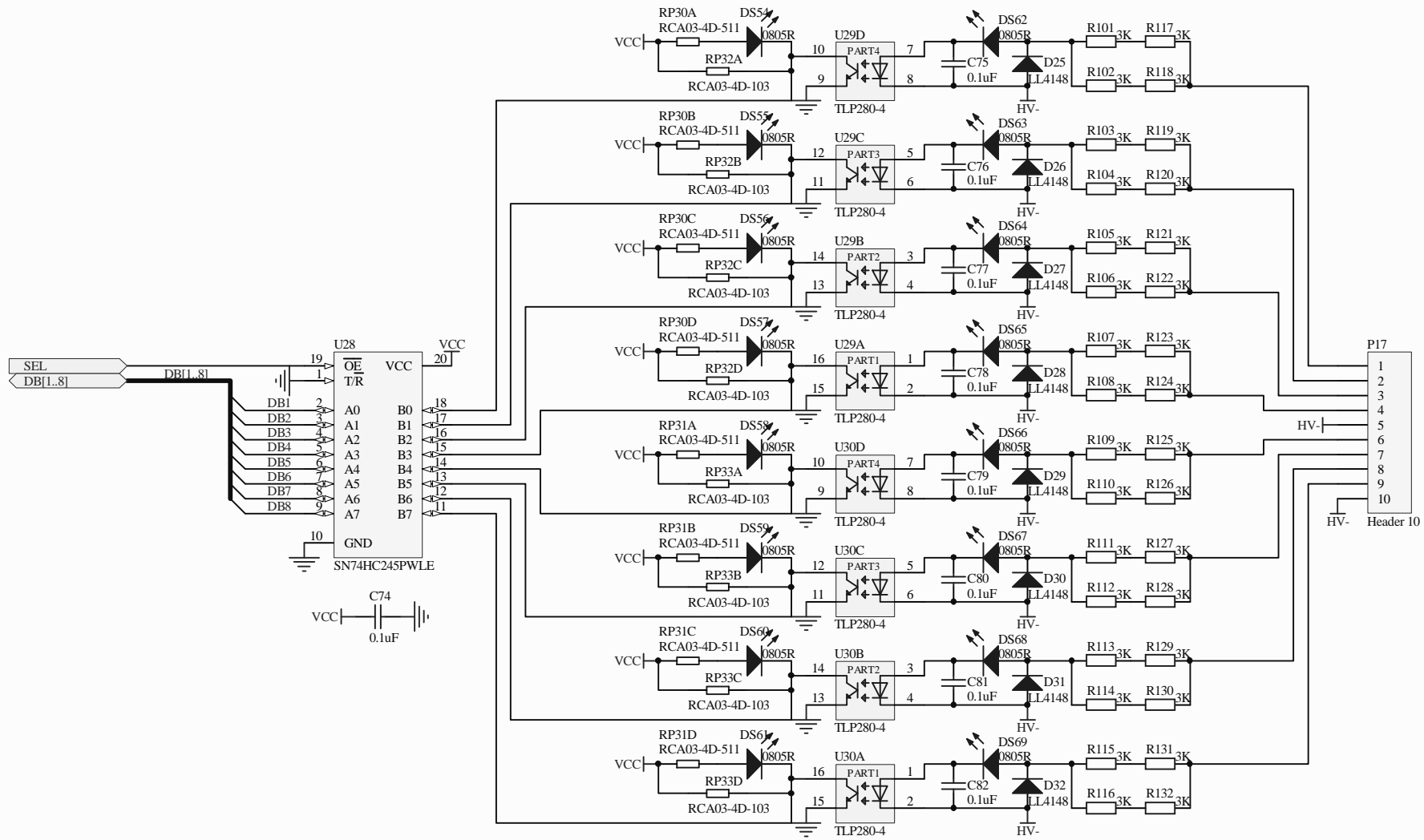
2

3

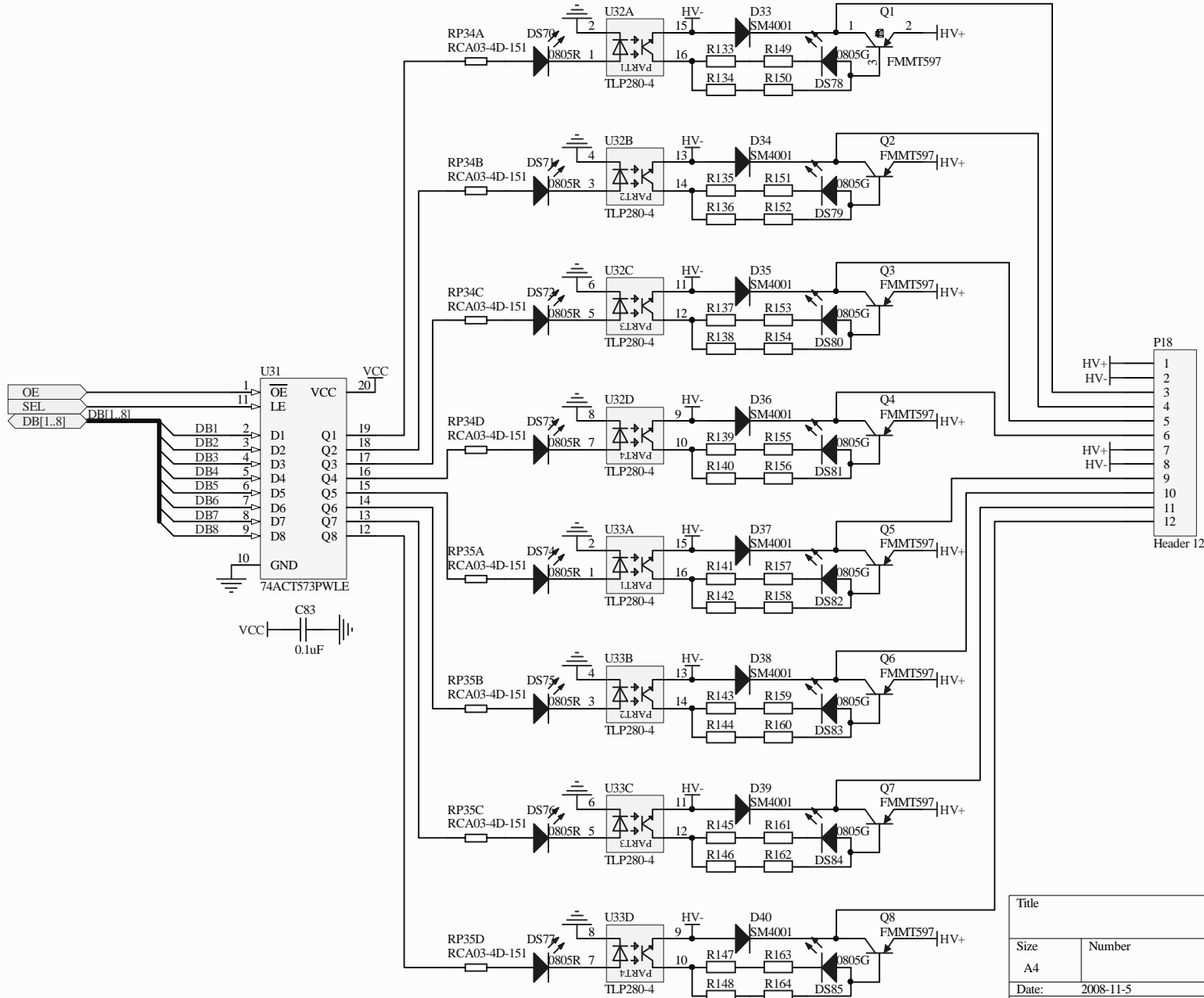
4



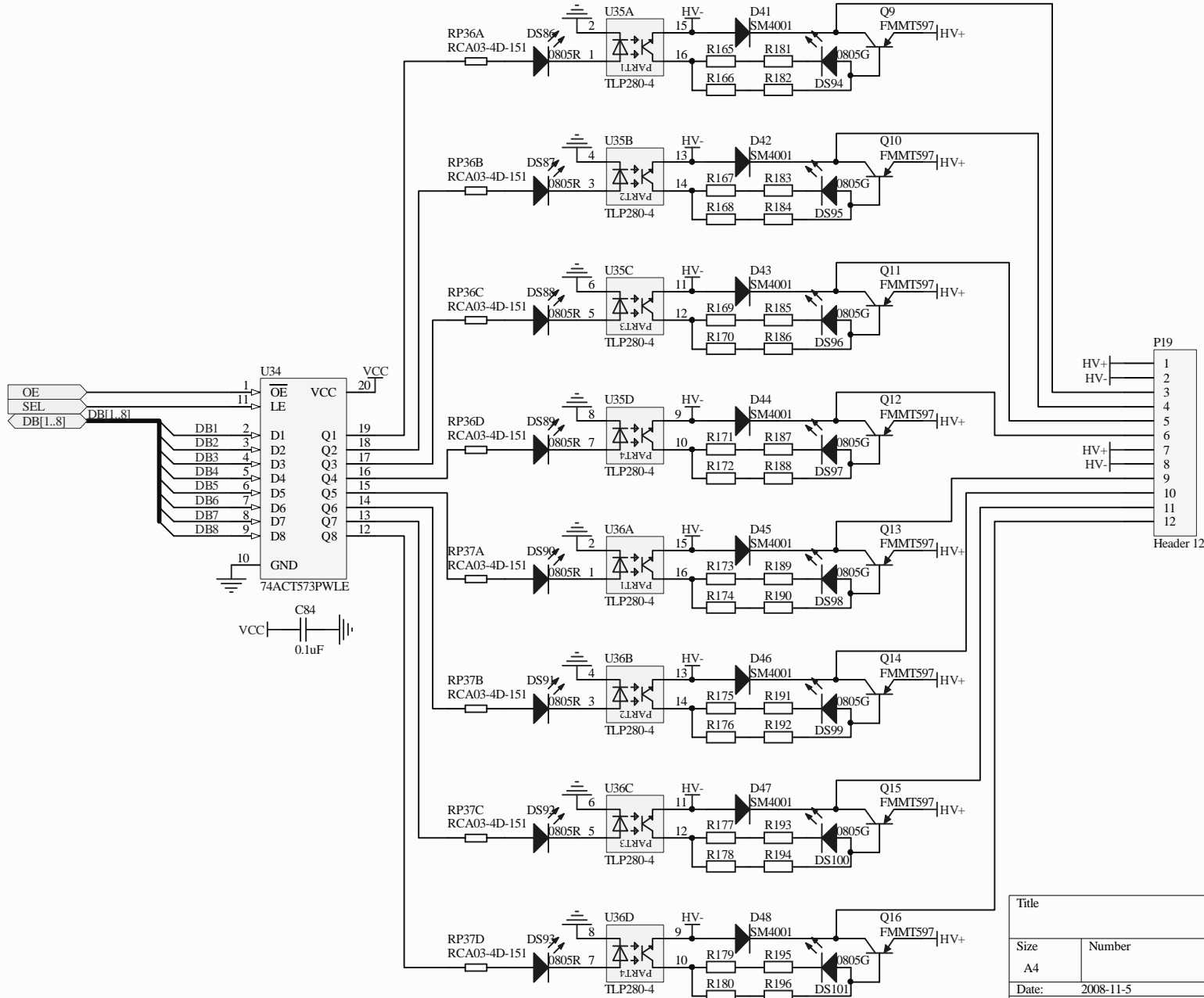
Title		
Size	Number	Revision
A4		
Date:	2008-11-5	Sheet of
File:	L:\doc1\...\sch_input3.SCHDOC	Drawn By:



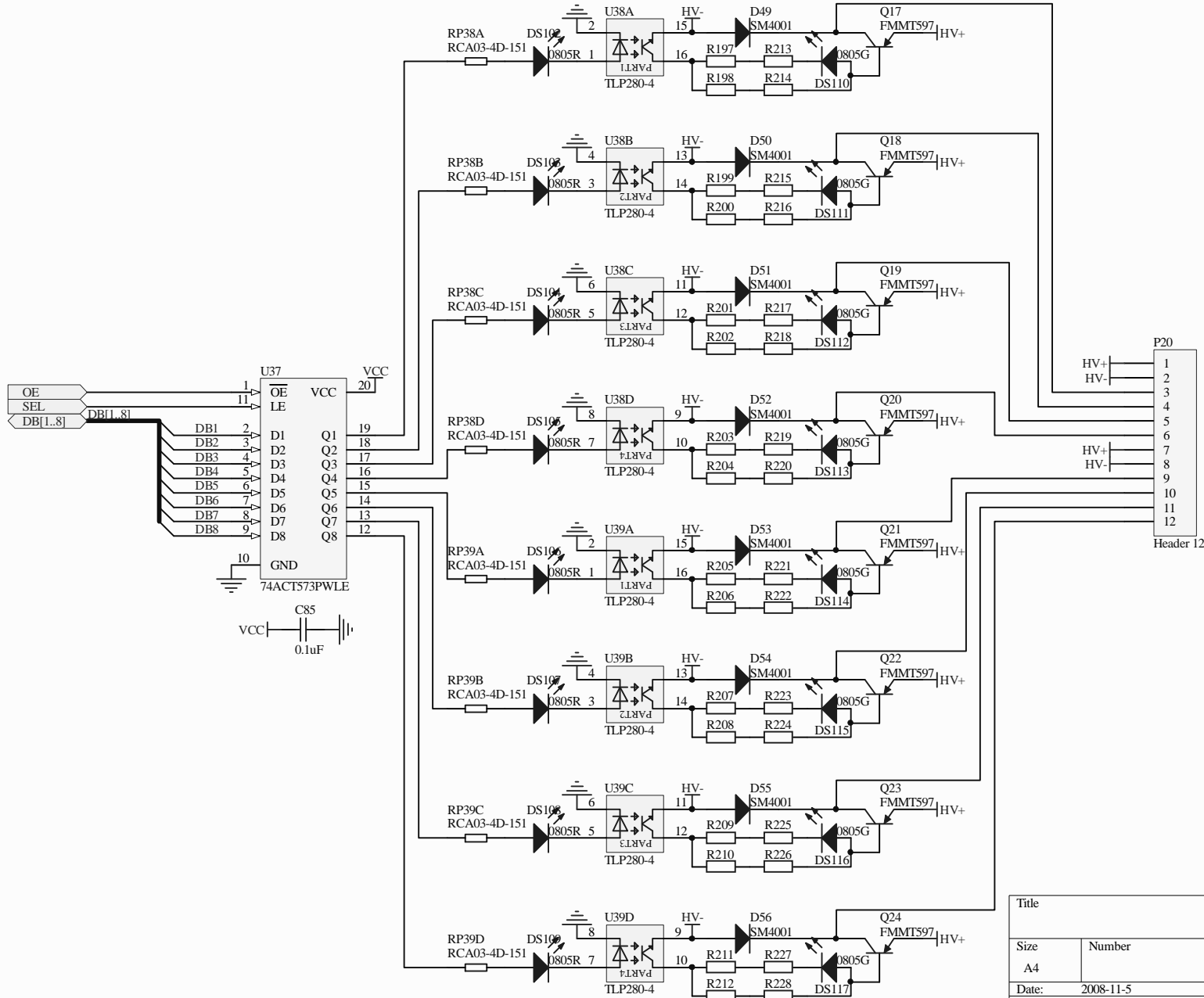
Title		
Size	Number	Revision
A4		
Date:	2008-11-5	Sheet of
File:	L:\doc1\...\sch_input4.SCHDOC	Drawn By:



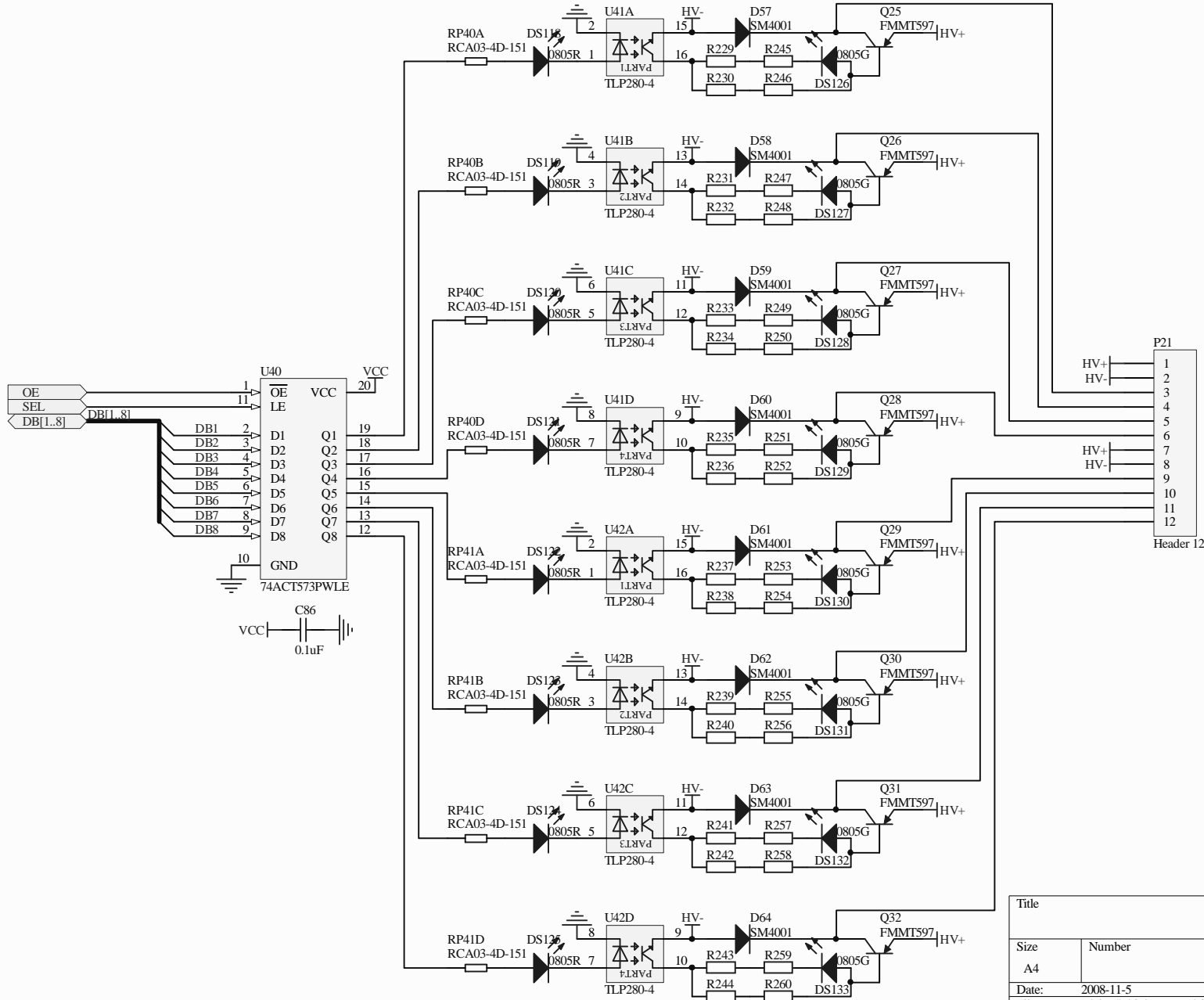
Title		
Size	Number	Revision
A4		
Date:	2008-11-5	Sheet of
File:	L:\doc1\...\8ch_output1.SCHDOC	Drawn By:



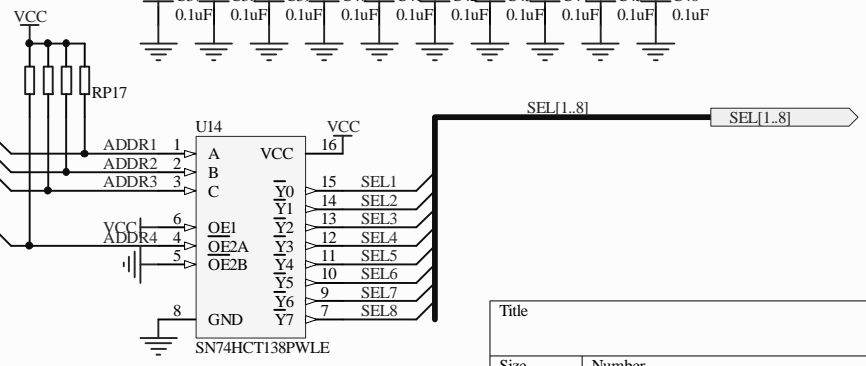
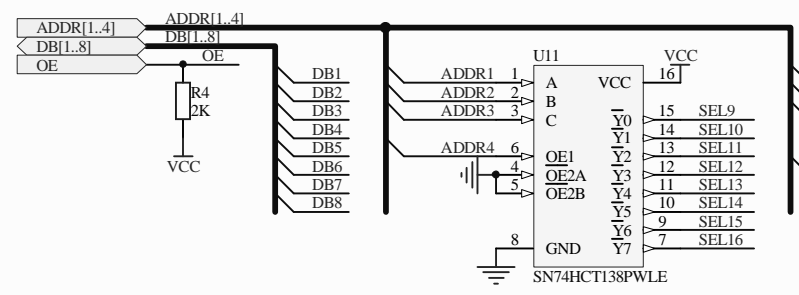
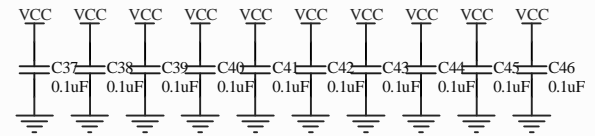
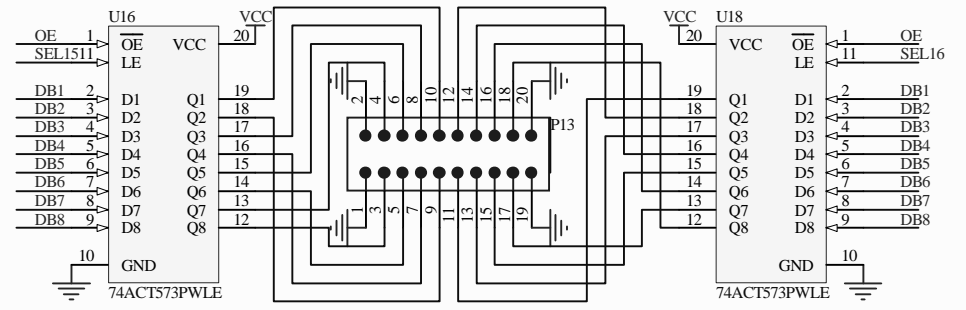
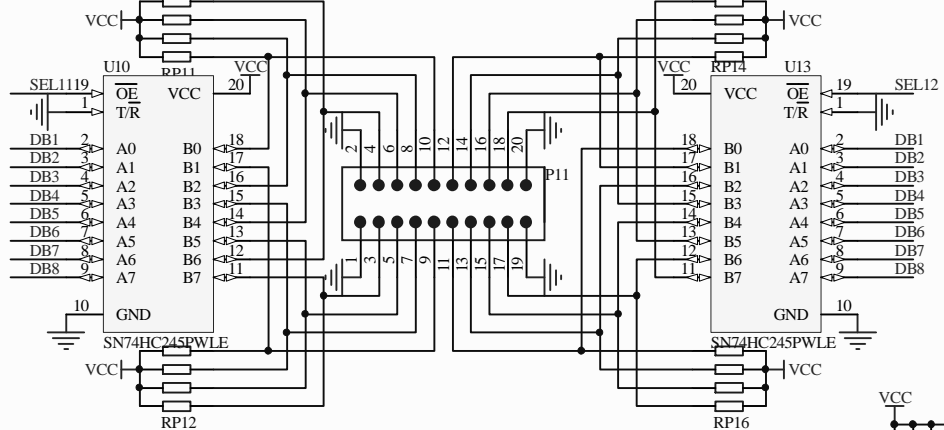
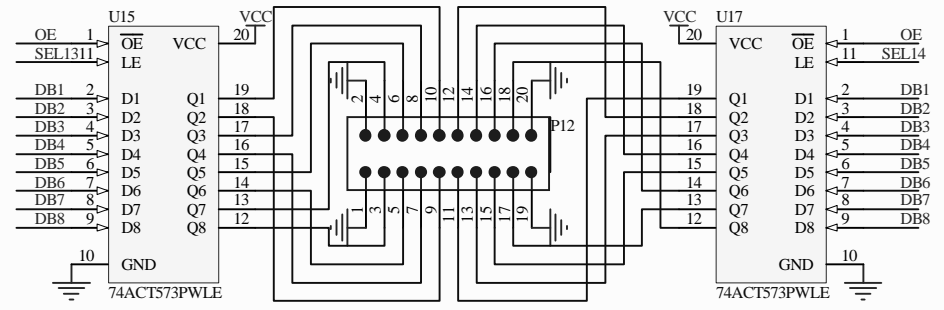
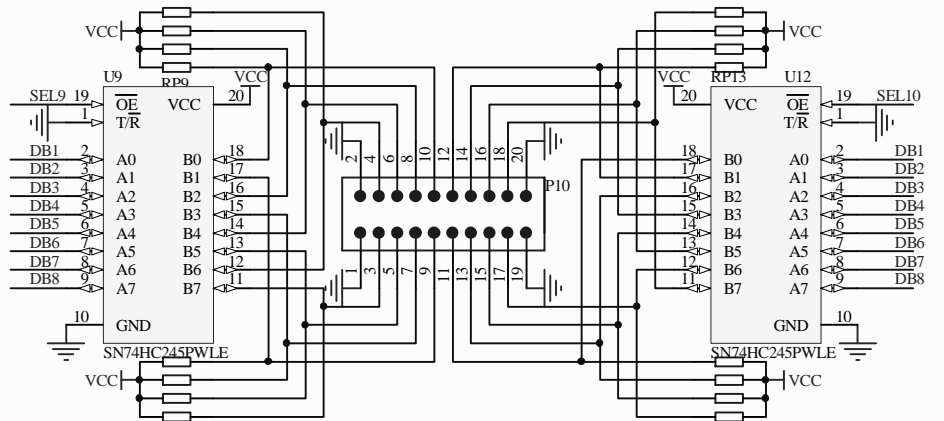
Title		
Size	Number	Revision
A4		
Date:	2008-11-5	Sheet of
File:	L:\doc1\...\8ch_output2.SCHDOC	Drawn By:



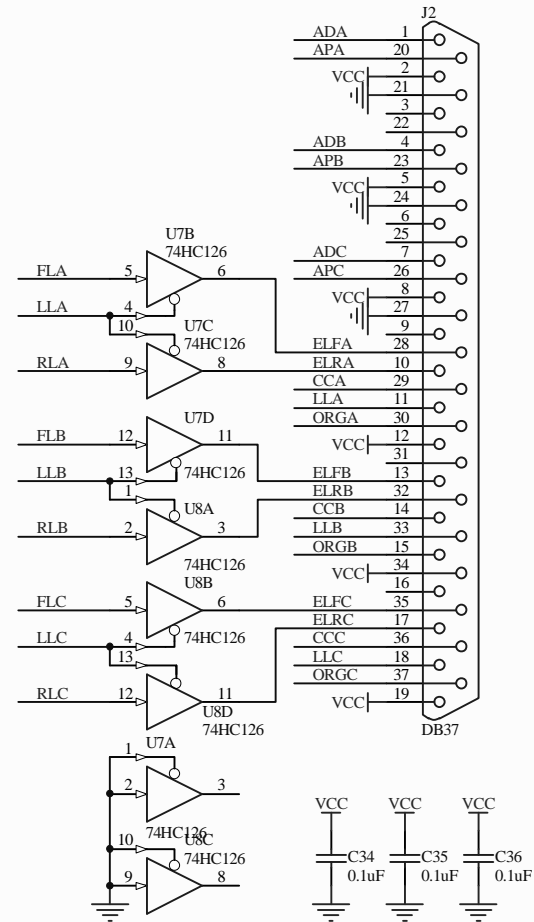
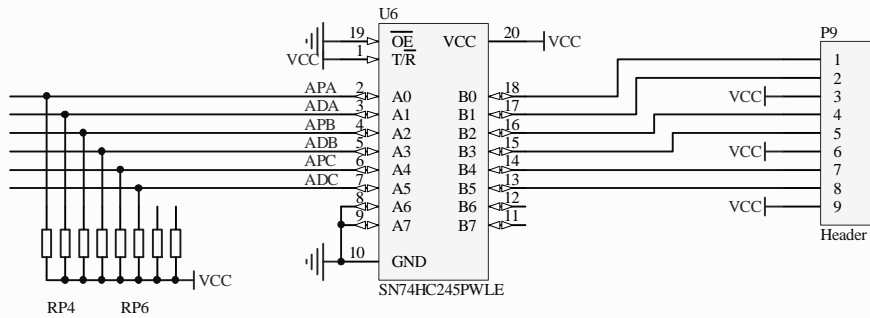
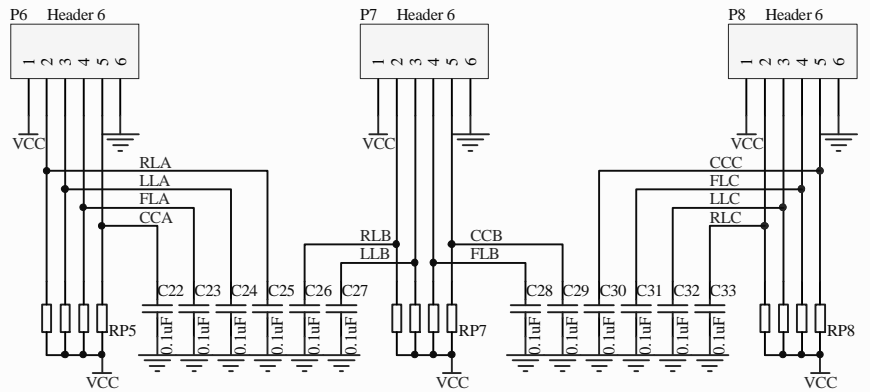
Title		
Size	Number	Revision
A4		
Date:	2008-11-5	Sheet of
File:	L:\doc1\...\8ch_output3.SCHDOC	Drawn By:



Title		
Size	Number	Revision
A4		
Date:	2008-11-5	Sheet of
File:	L:\doc1\...\sch_output4.SCHDOC	Drawn By:



Title		
Size	Number	Revision
A4		
Date:	2008-11-5	Sheet of
File:	L:\doc1\...\externIO.SCHDOC	Drawn By:



Title		
Size A4	Number	Revision
Date:	2008-11-5	Sheet of
File:	L:\doc1\motor_interface.SCHDOC	Drawn By: