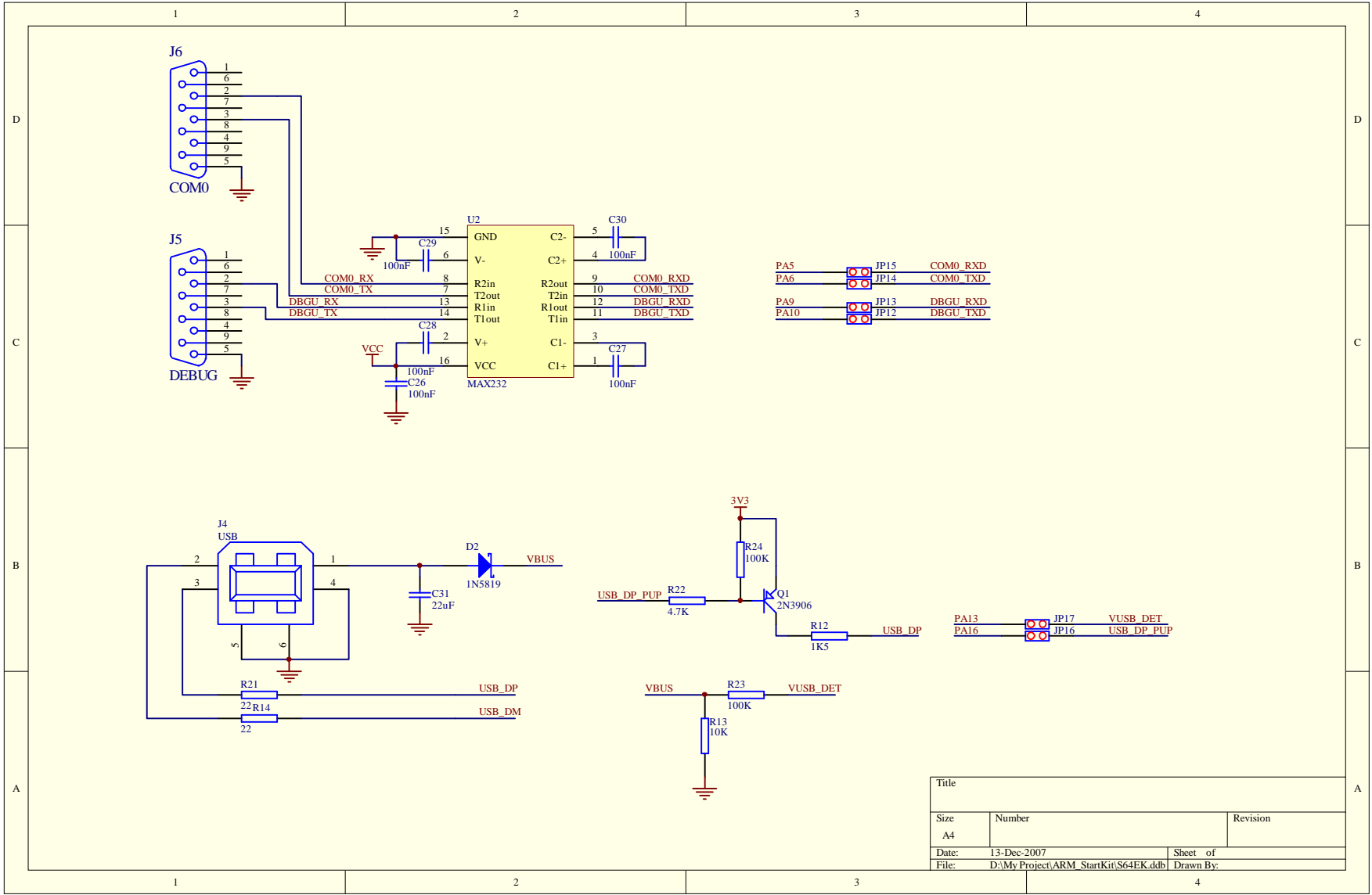
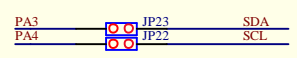
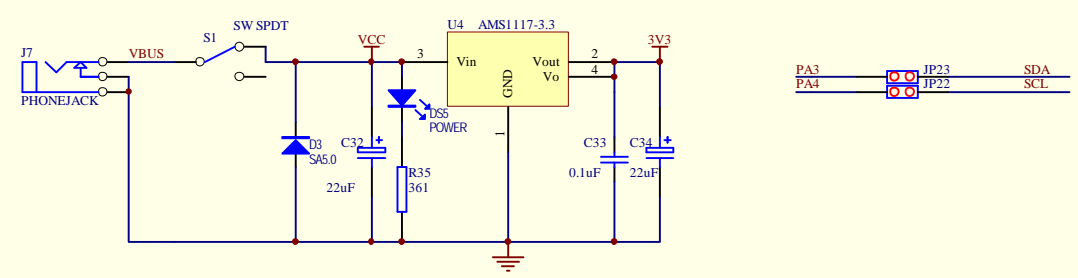
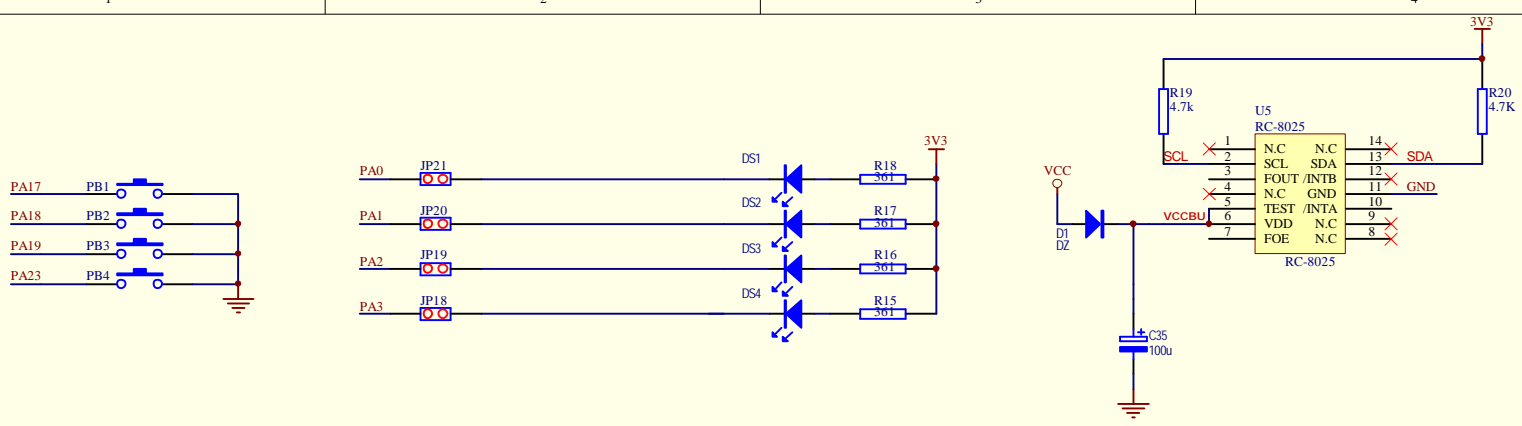


COMUSB MISC.SCH SPI
 COMUSB.SCH MISC.SCH SPLSCH

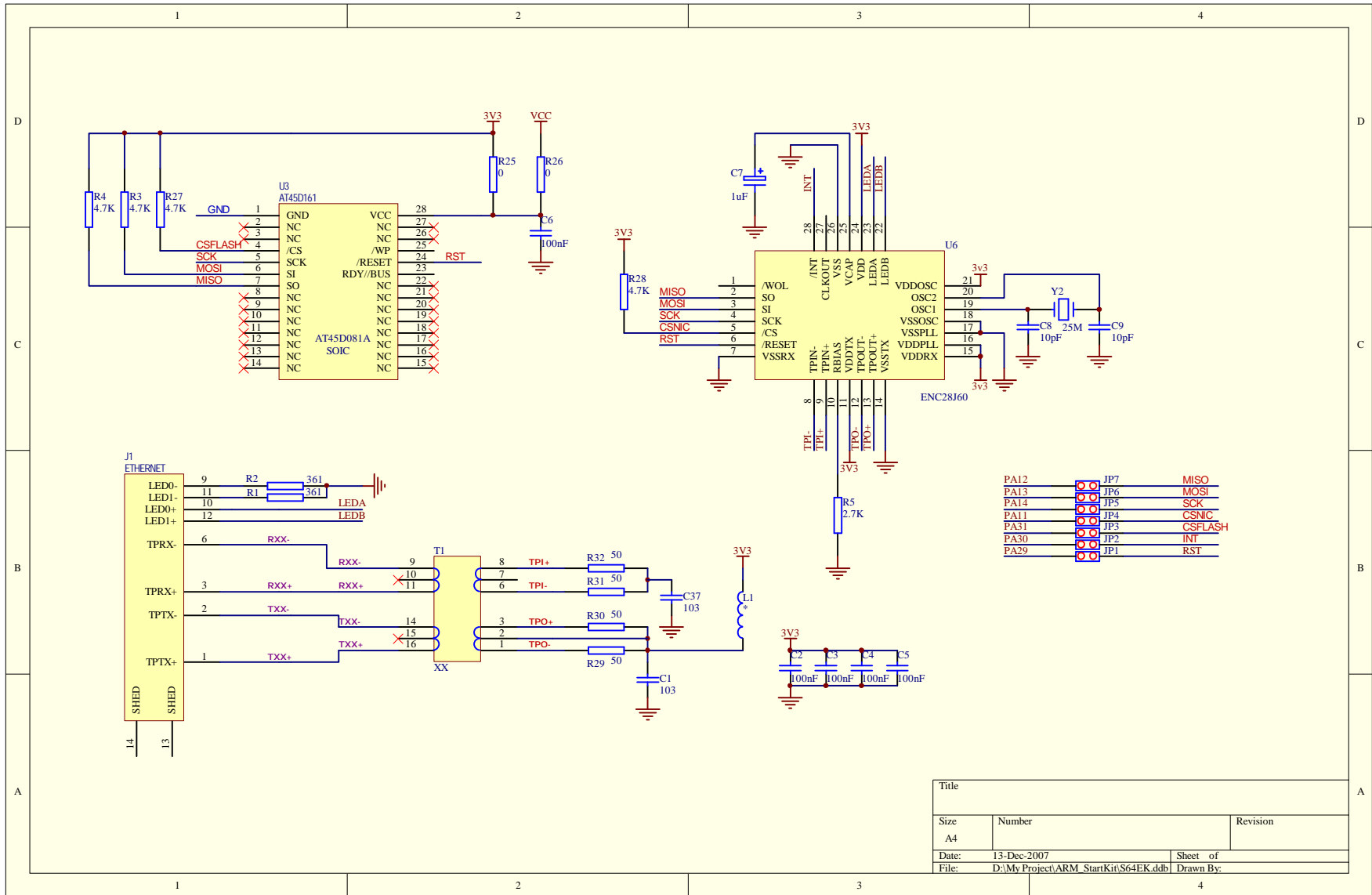
Title		
Size	Number	Revision
A4		
Date:	13-Dec-2007	Sheet of
File:	D:\My Project\ARM_StartKit\S64EK.ddb	Drawn By:



Title		
Size	Number	Revision
Date: 13-Dec-2007		Sheet of
File: D:\My Project\ARM_StartKit\S64EK.ddb		Drawn By:



Title		
Size A4	Number	Revision
Date: 13-Dec-2007	Sheet of	
File: D:\My Project\ARM_StartKit\S64EK.ddb	Drawn By:	



Title		
Size	Number	Revision
A4		
Date:	13-Dec-2007	Sheet of
File:	D:\My Project\ARM_StartKit\S64EK.ddb	Drawn By: