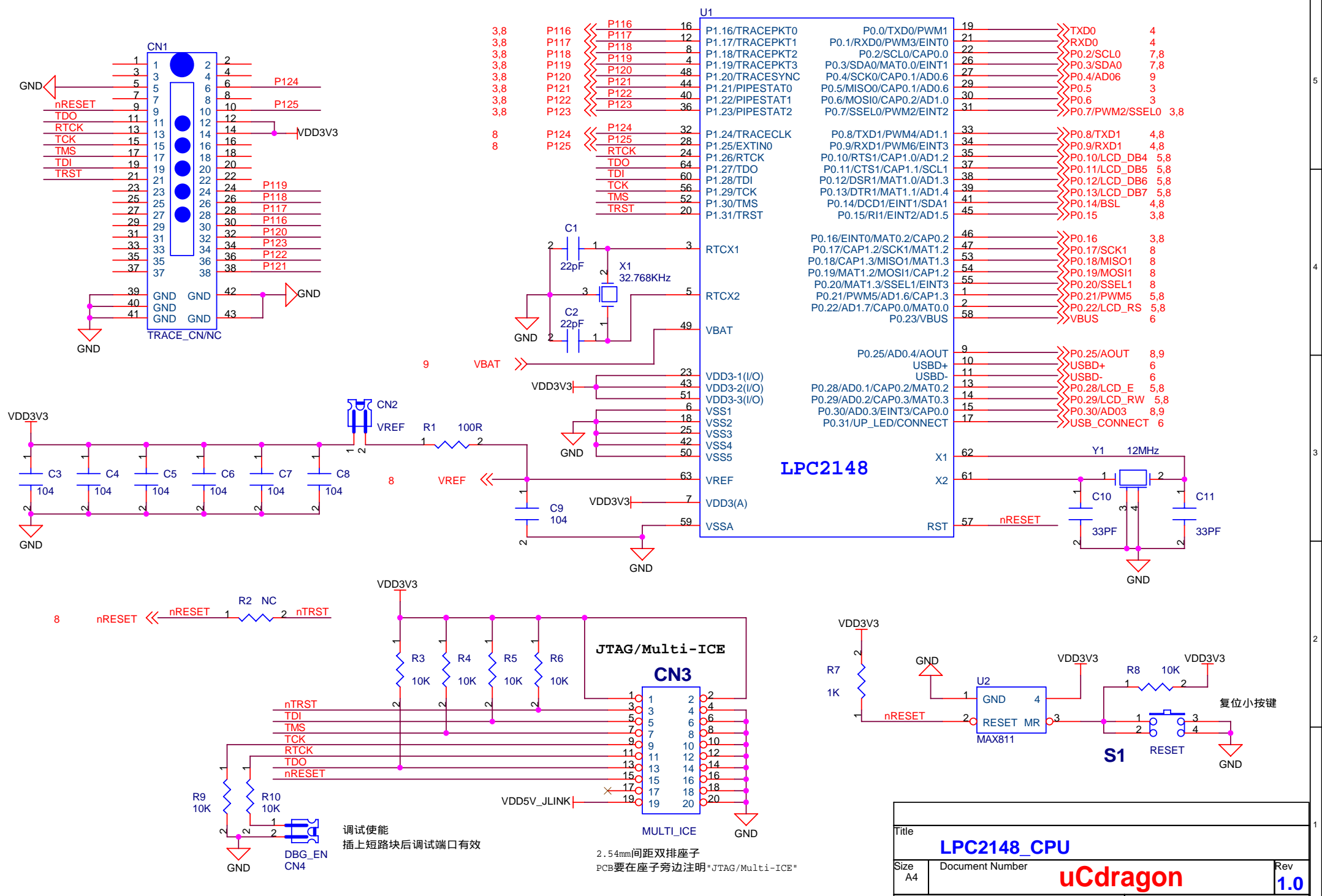
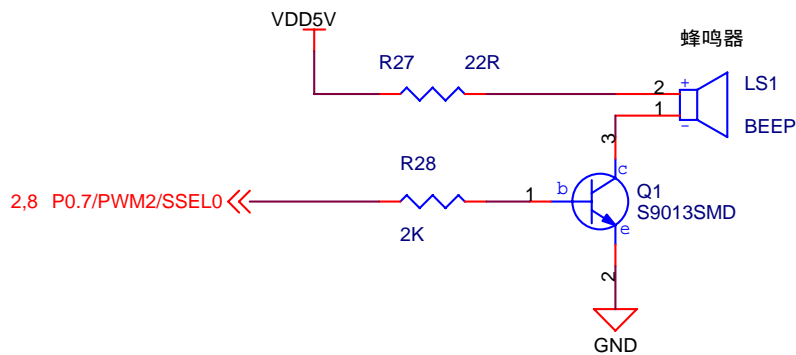
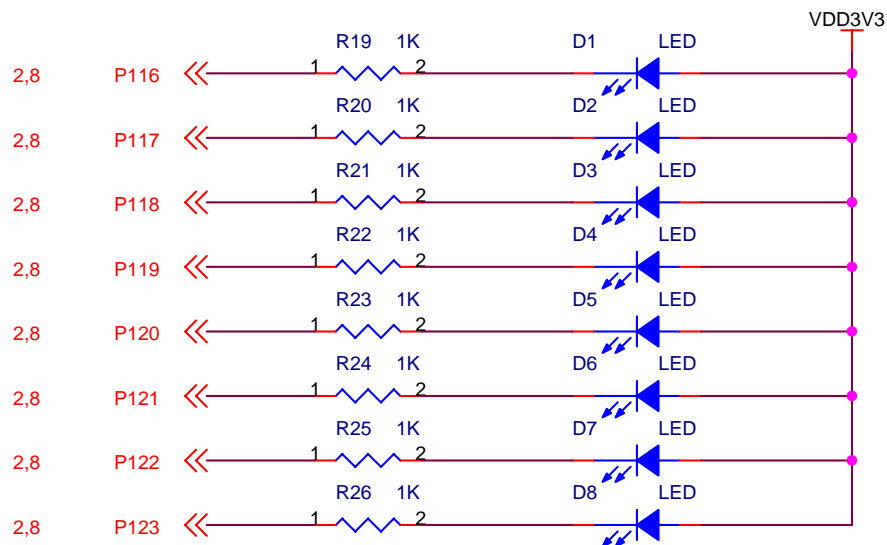
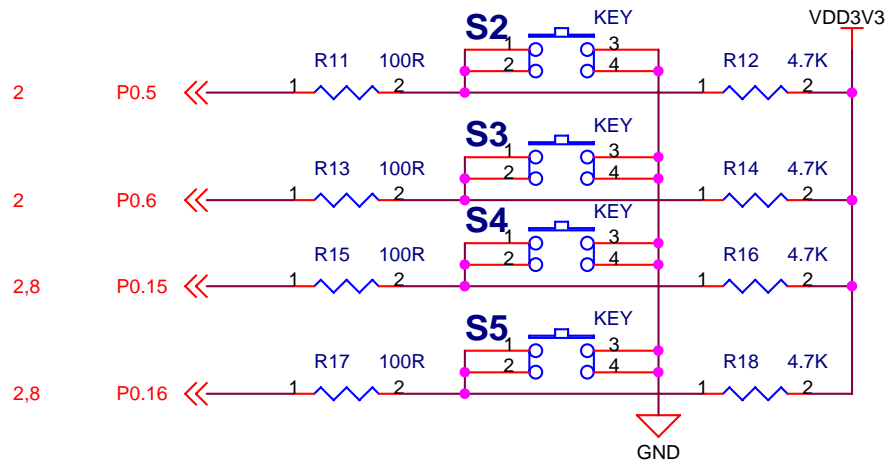


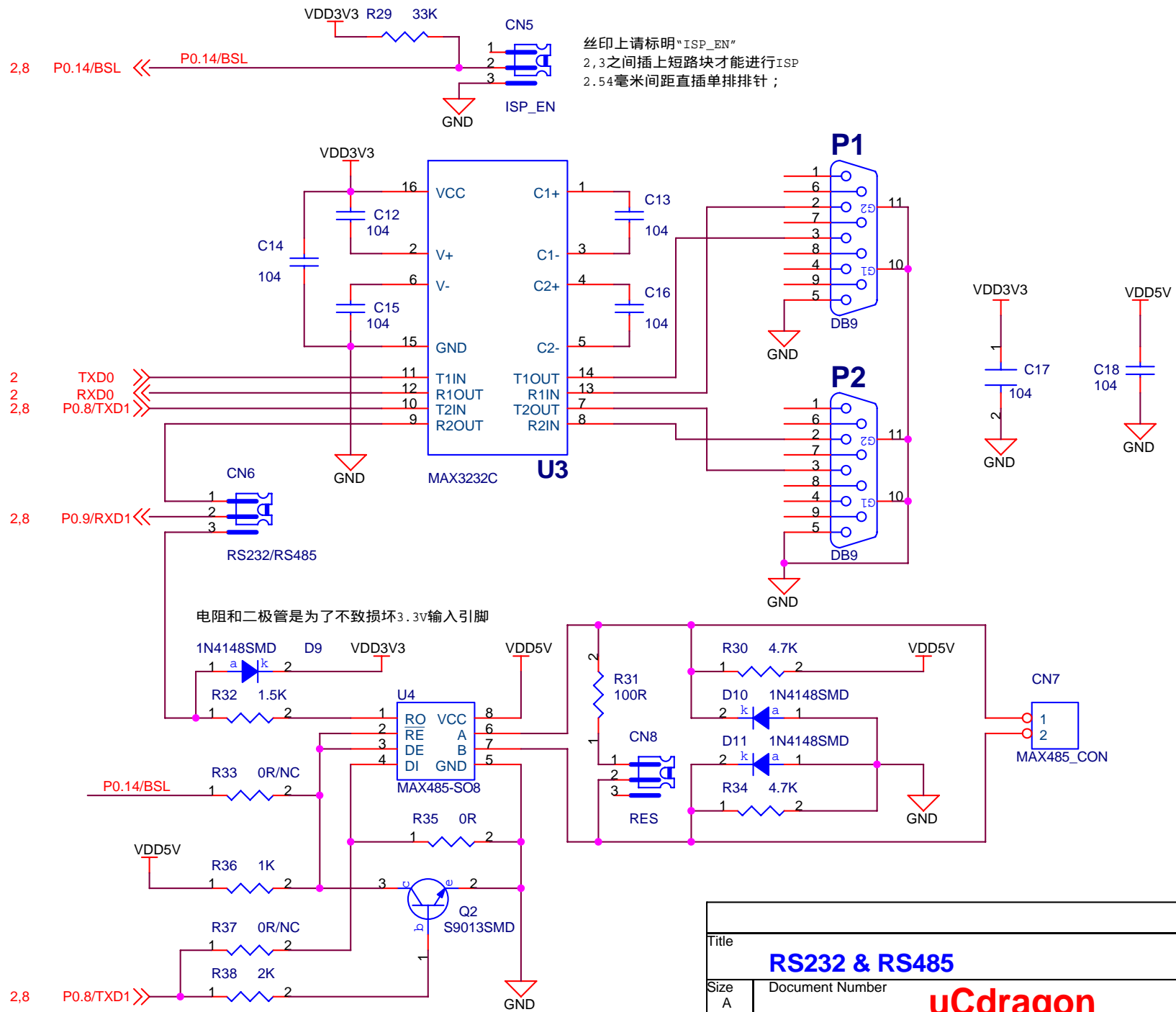
Title			
YL_LPC2148_SCH_BLOCK			
Size	Document Number	Rev	
A4		1.0	
Date:	Wednesday, December 21, 2005	Sheet	1 of 9



Title		LPC2148_CPU	
Size	A4	Document Number	uCdragon
Date:	Wednesday, December 21, 2005	Sheet	2 of 9
		Rev	1.0



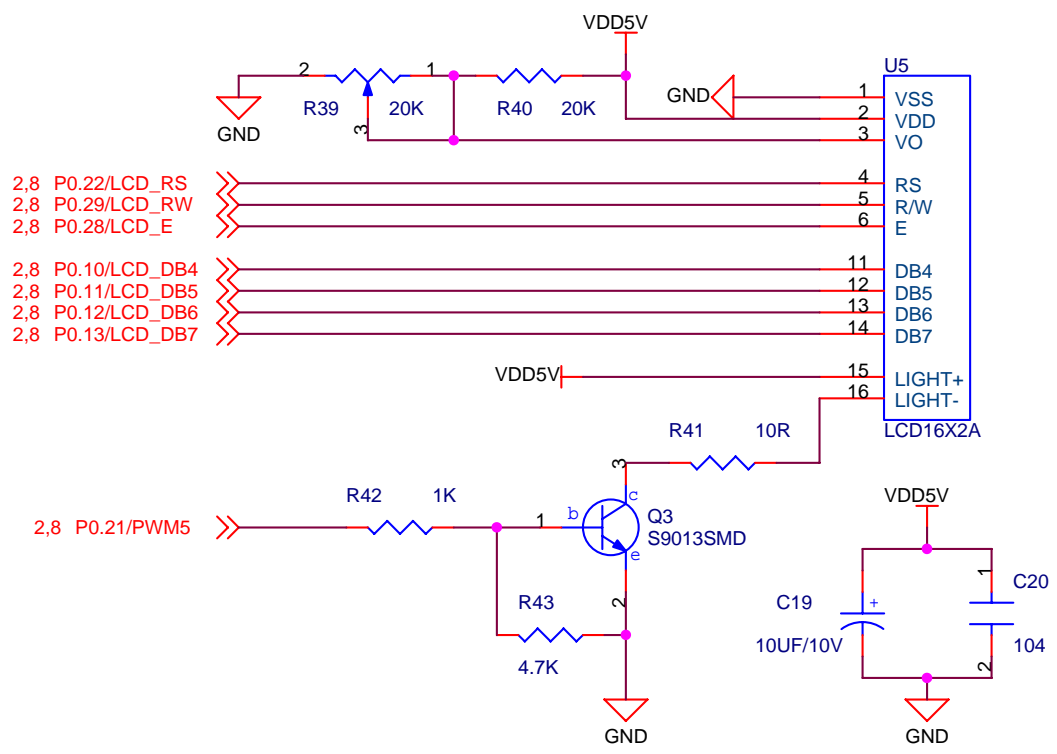
Title		
LED, KEY, BUZZER		
Size A	Document Number	Rev
	uCdragon	1.0
Date:	Wednesday, December 21, 2005	Sheet 3 of 9



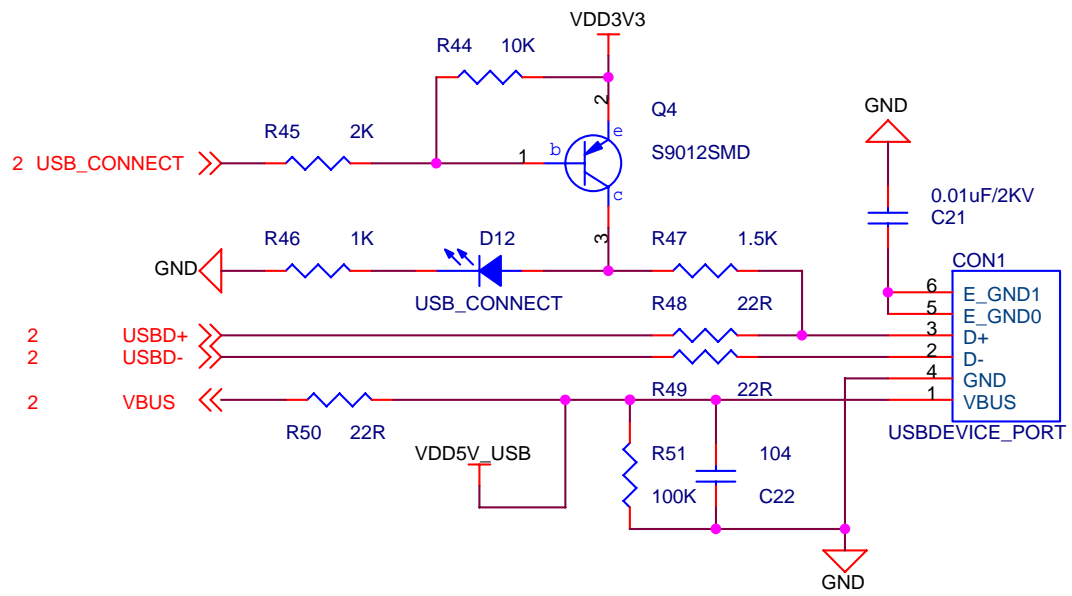
丝印上请标明"ISP_EN"
 2,3之间插上短路块才能进行ISP
 2.54毫米间距直插单排排针；

电阻和二极管是为了不致损坏3.3v输入引脚

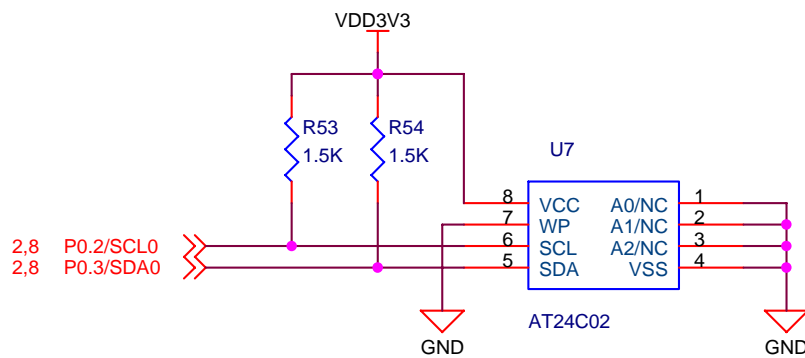
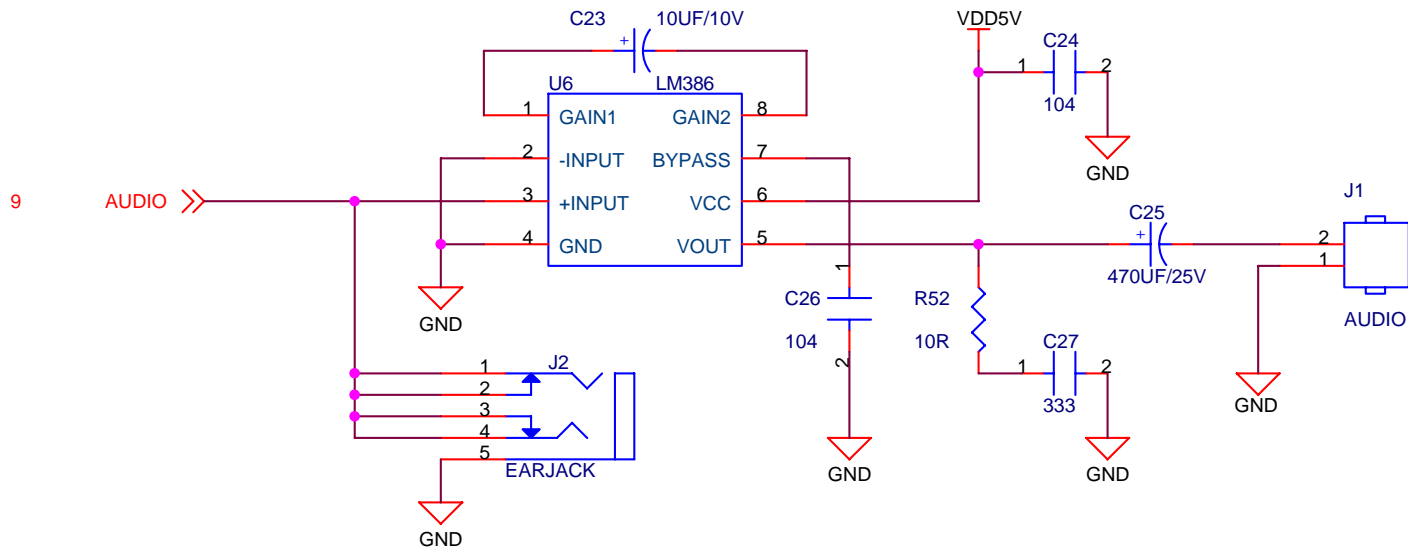
Title		
RS232 & RS485		
Size	Document Number	Rev
A	uCdragon	1.0
Date:	Wednesday, December 21, 2005	Sheet 4 of 9



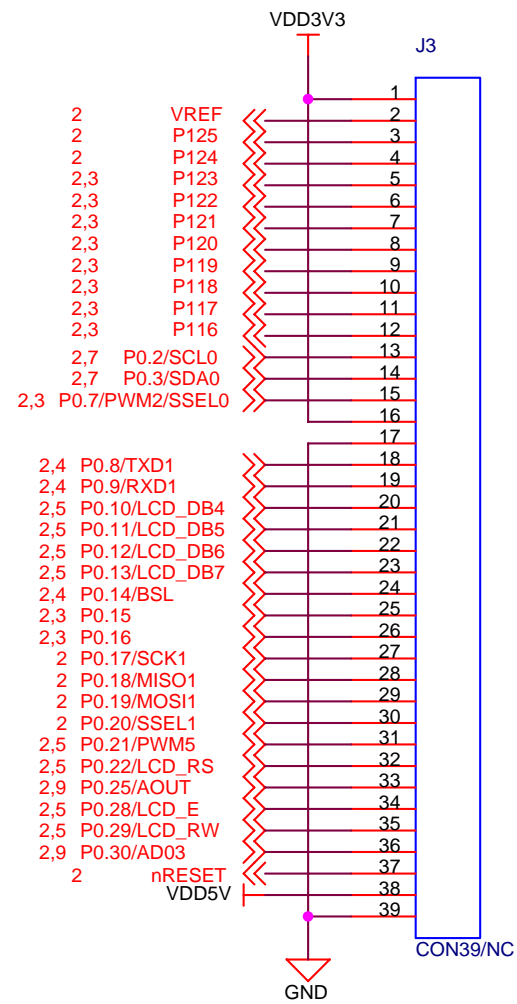
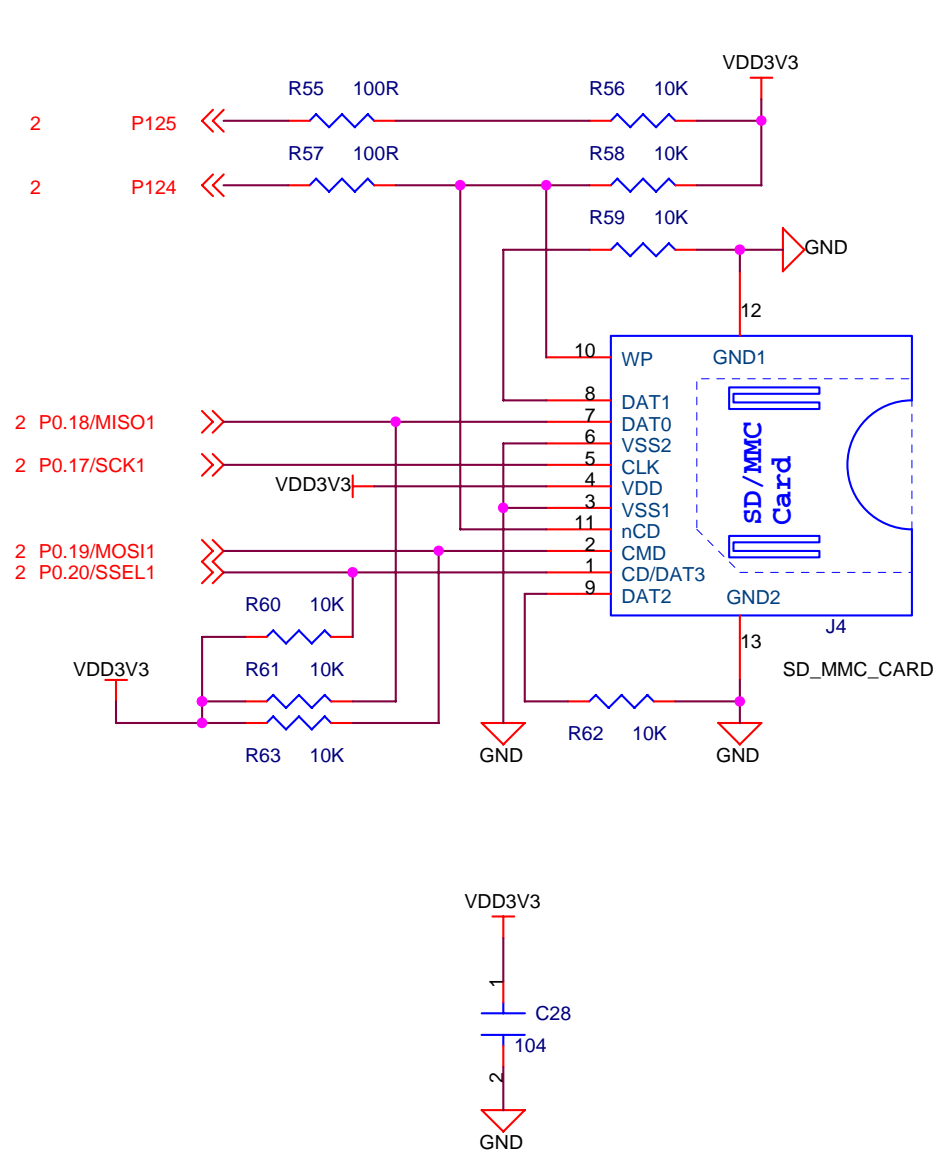
Title		
LCM 16*2		
Size A	Document Number	Rev 1.0
Date:	Wednesday, December 21, 2005	Sheet 5 of 9



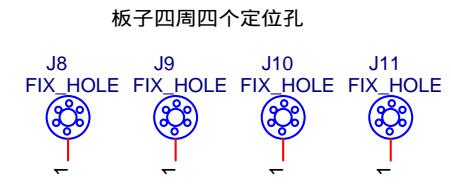
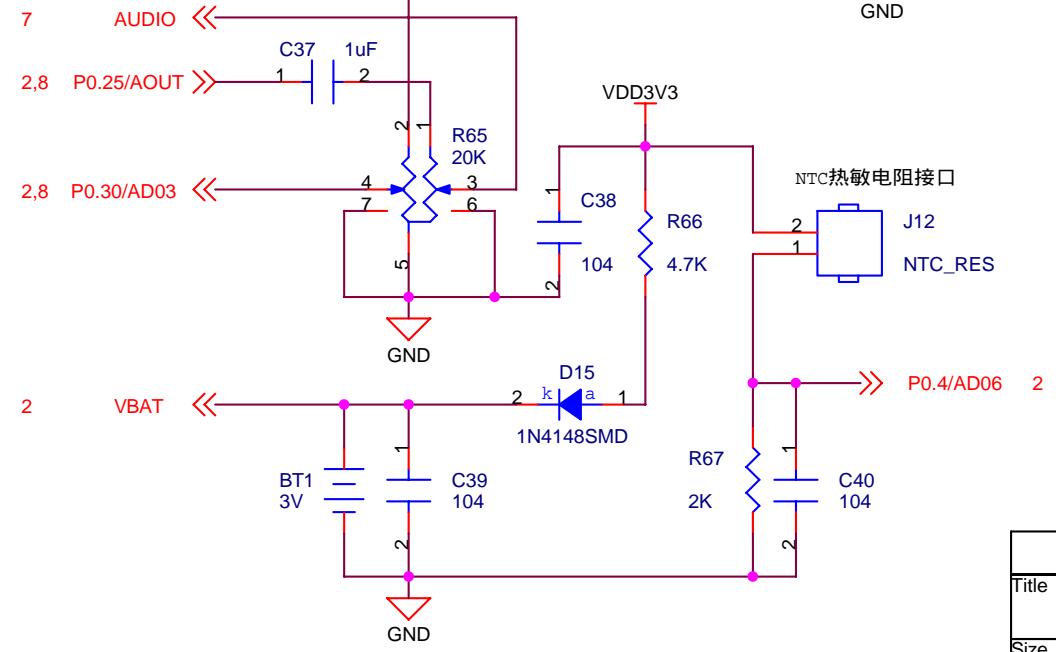
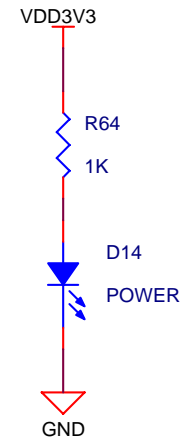
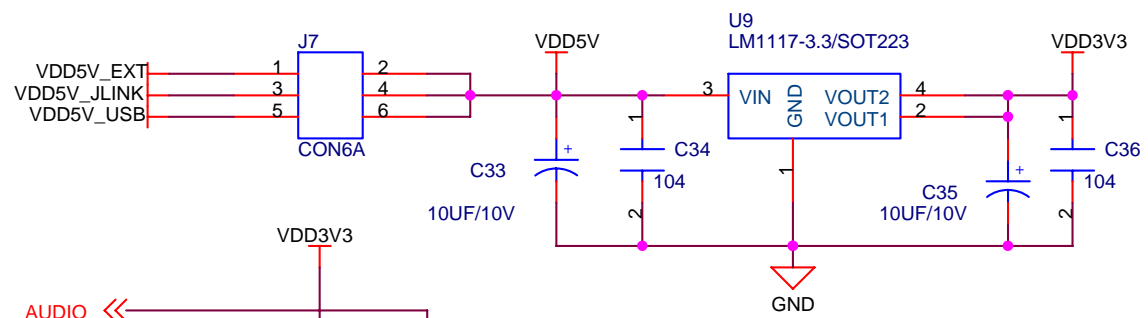
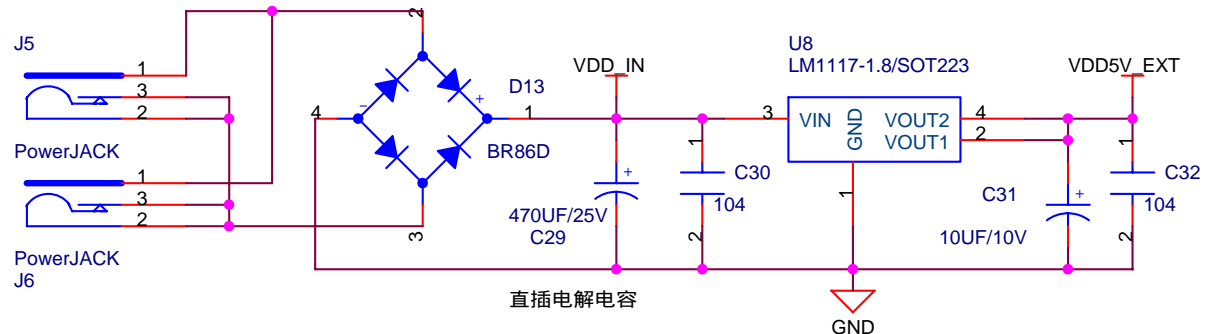
Title		
USB Device		
Size A	Document Number	Rev
	uCdragon	1.0
Date:	Wednesday, December 21, 2005	Sheet 6 of 9



Title		
EEPROM & Audio_Amplifier		
Size A	Document Number uCdragon	Rev 1.0
Date:	Wednesday, December 21, 2005	Sheet 7 of 9



Title		
SD/MMC CARD & EXT		
Size A	Document Number uCdragon	Rev 1.0
Date:	Wednesday, December 21, 2005	Sheet 8 of 9



Title		
POWER		
Size A	Document Number	uCdragon
Date:	Wednesday, December 21, 2005	Rev 1.0
	Sheet 9	of 9