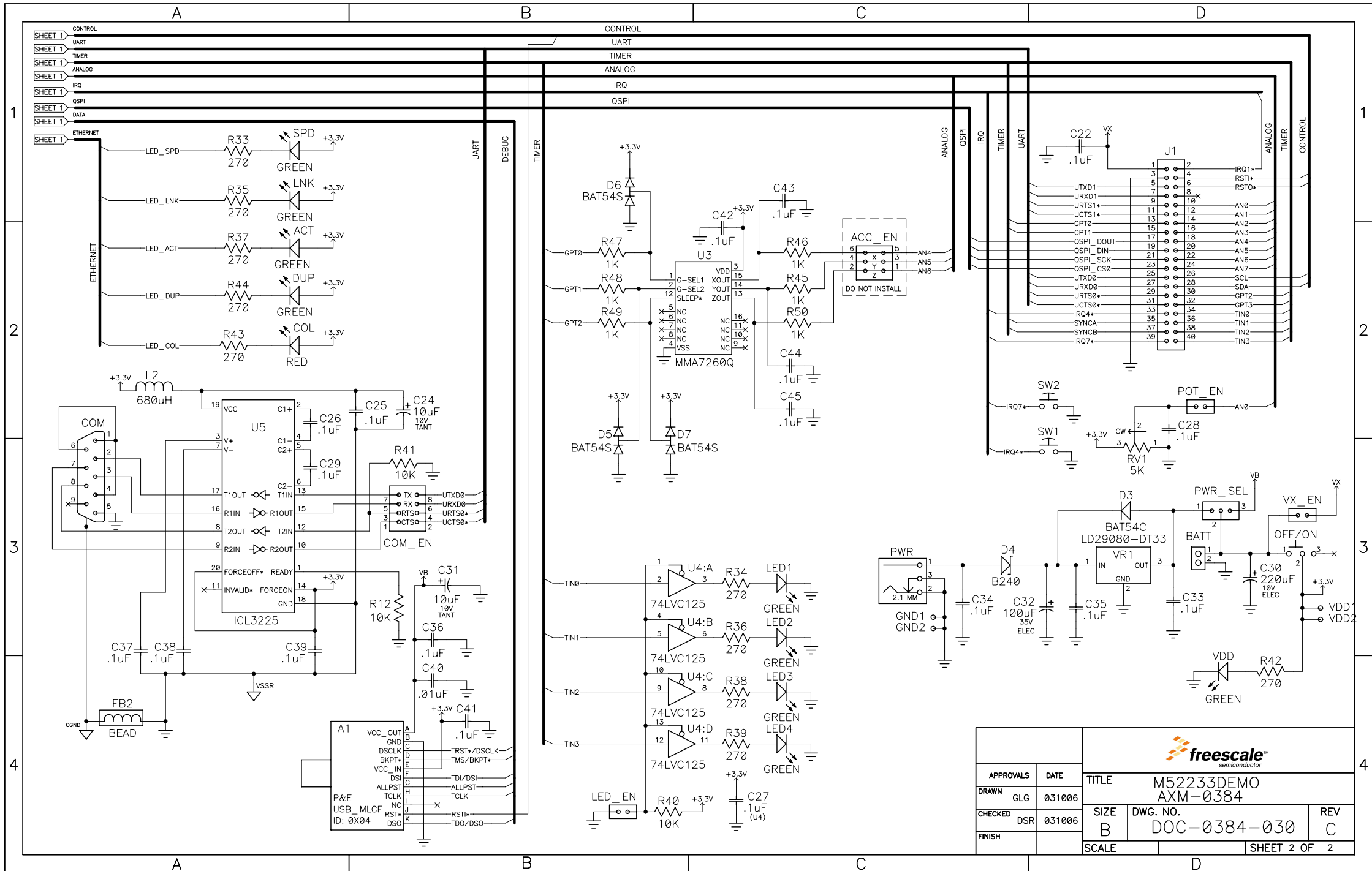


APPROVALS		DATE	TITLE			
DRAWN	GLG	031006	M52233DEMO AXM-0384			
CHECKED	DSR	031006	SIZE	DWG. NO.		REV
FINISH			B	DOC-0384-030		C
SCALE			SHEET 1 OF 2			



APPROVALS		DATE	TITLE	
DRAWN		GLG	M52233DEMO	
CHECKED		DSR	AXM-0384	
FINISH			SIZE	REV
			B	C
			DWG. NO.	SHEET 2 OF 2
			DOC-0384-030	