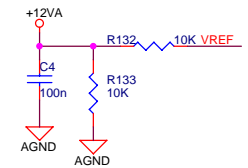
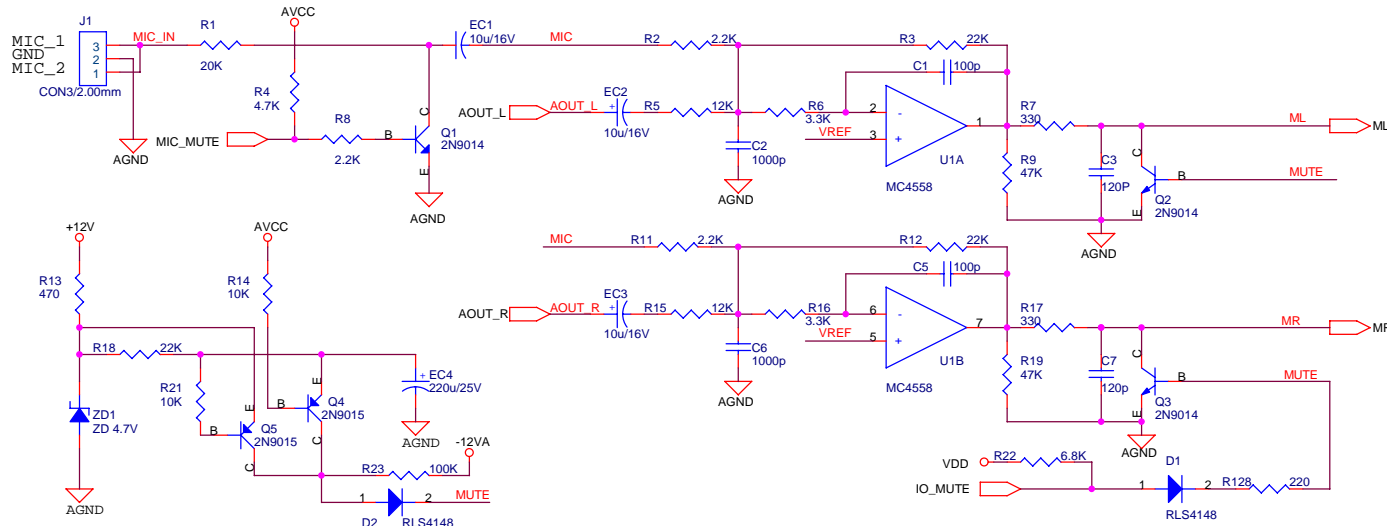


# CT909R-A-HFY

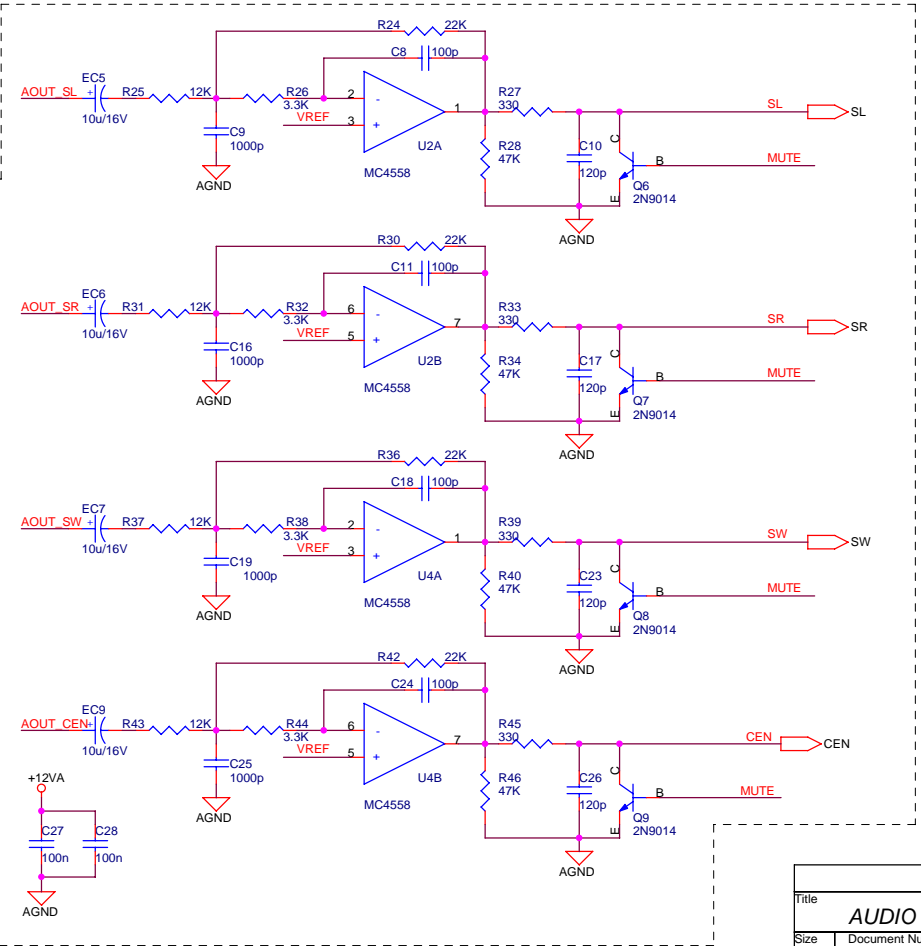
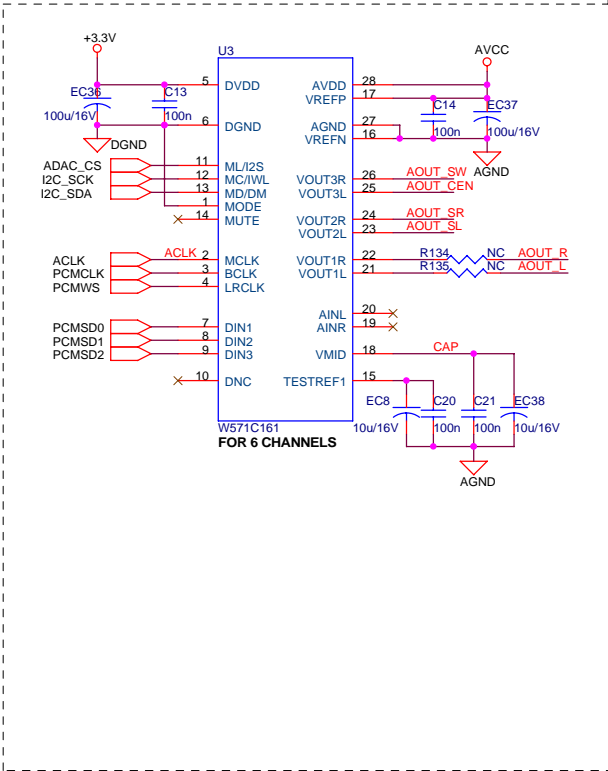
## DVD Player with CT-909R

```
Power tree
+5V --> VDD
--> RFVCC --> +5VOPU
--> +5VM
--> AVCC
--> +3.V --> +3.3VS
--> +3.3VV
--> +3.3VA
--> +1.2V
```

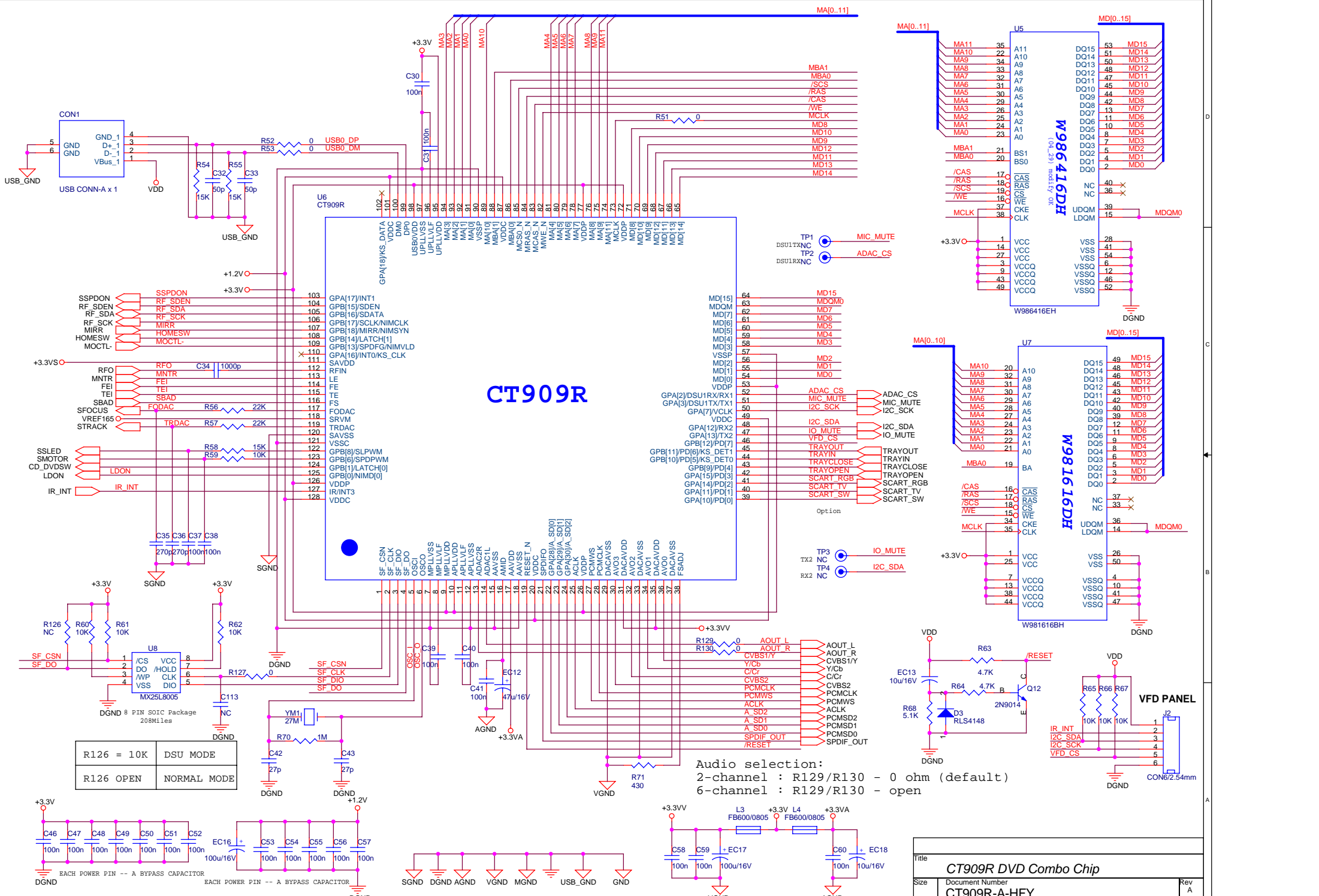
Title		
DVD Player with CT-909R		
Size	Document Number	Rev
	CT909R-A-HFY	A
Date: Wednesday, March 01, 2006		
Sheet 5 of 5		



For 6 channel only



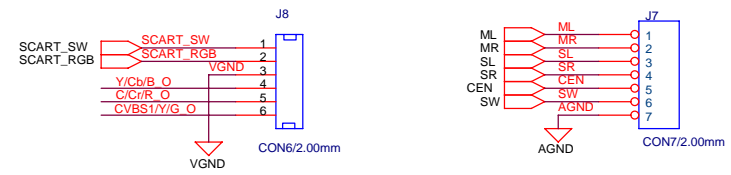
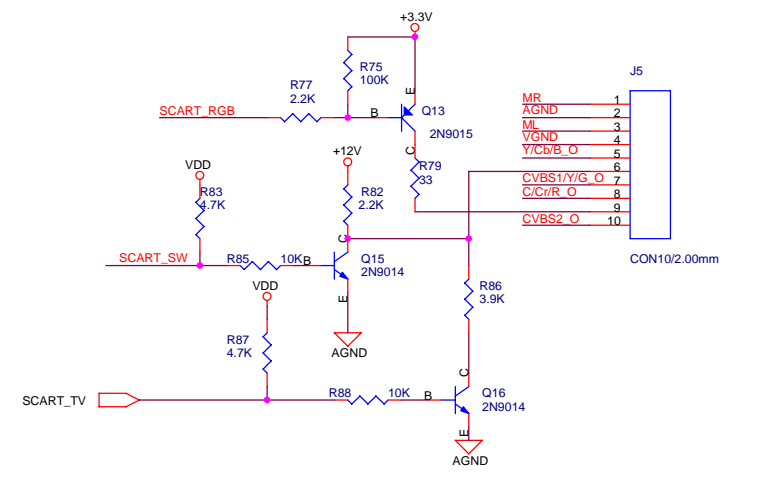
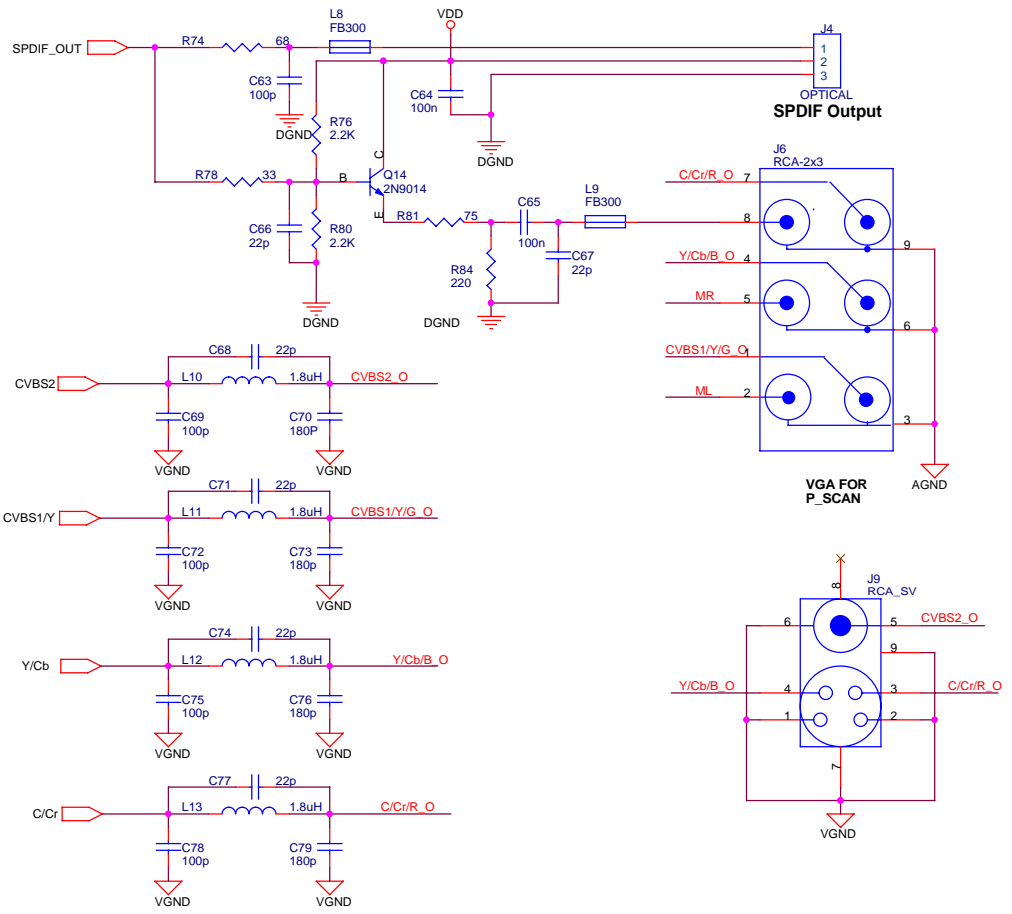
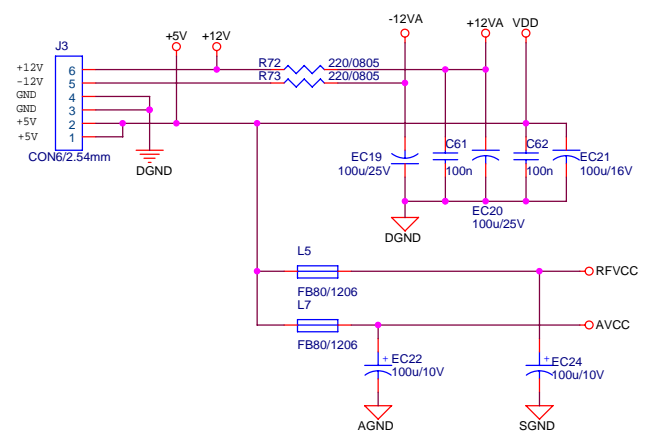
Title		
AUDIO DAC		
Size	Document Number	Rev
	CT909R-A-HFY	A
Date	Wednesday, March 01, 2006	Sheet 1 of 5



Title		CT909R DVD Combo Chip	
Size	Document Number	CT909R-A-HFY	
Date:	Wednesday, March 01, 2006	Sheet	2 of 5

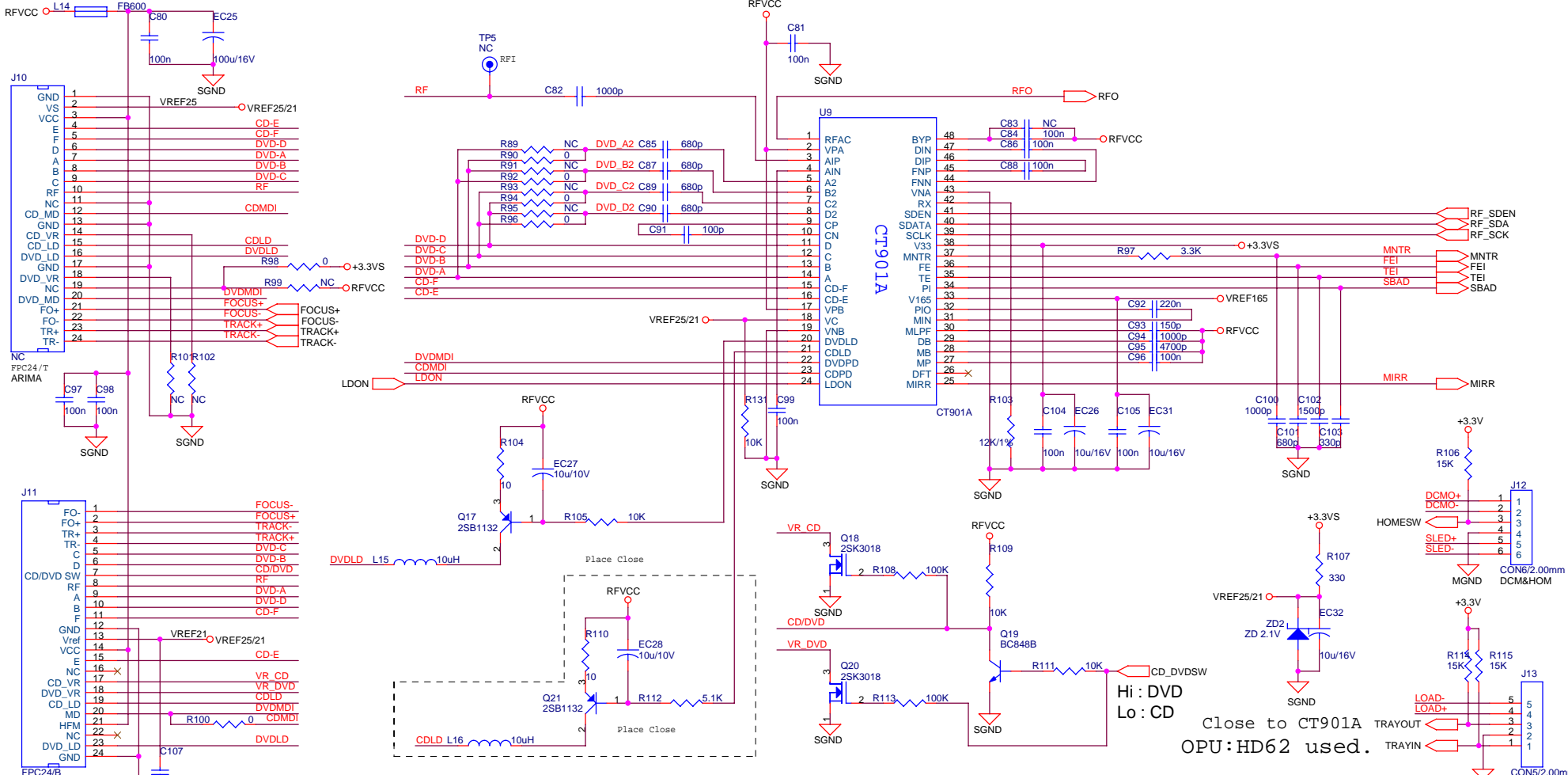
Audio selection:  
 2-channel : R129/R130 - 0 ohm (default)  
 6-channel : R129/R130 - open

R126 = 10K	DSU MODE
R126 OPEN	NORMAL MODE

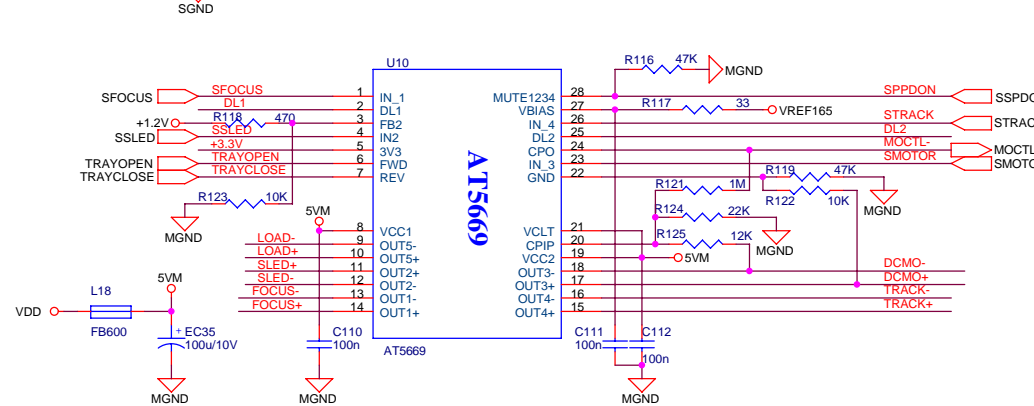


Title		
POWER & AV OUT		
Size	Document Number	Rev
	CT909R-A-HFY	A
Date	Wednesday, March 01, 2006	Sheet 3 of 5

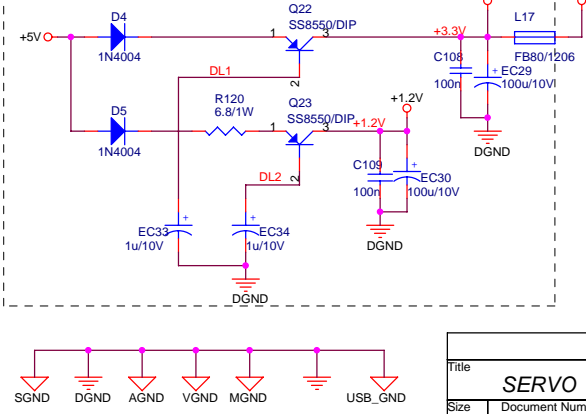
# 1.Default for HD62.



## HD62 OPU



## Far with motor driver



	Sanyo HD62	ARIMA	HI1200W
R101	open	0	
R102	open	0	
R131	open	10K	
R112	5.1k	0	
R105	10K	22k	
R100	0	open	
R98	open	open	
R99	open	0	
R107	330	open	
ZD2	2.2V	open	
C95	4700P	2200P	
R89	NC	0	
R90	0	NC	
R91	NC	0	
R92	0	NC	
R93	NC	0	
R94	0	NC	
R95	NC	0	
R96	0	NC	

Title		SERVO	
Size	Document Number	CT909R-A-HFY	
Date:	Wednesday, March 01, 2006	Sheet	4 of 5
Rev	A		