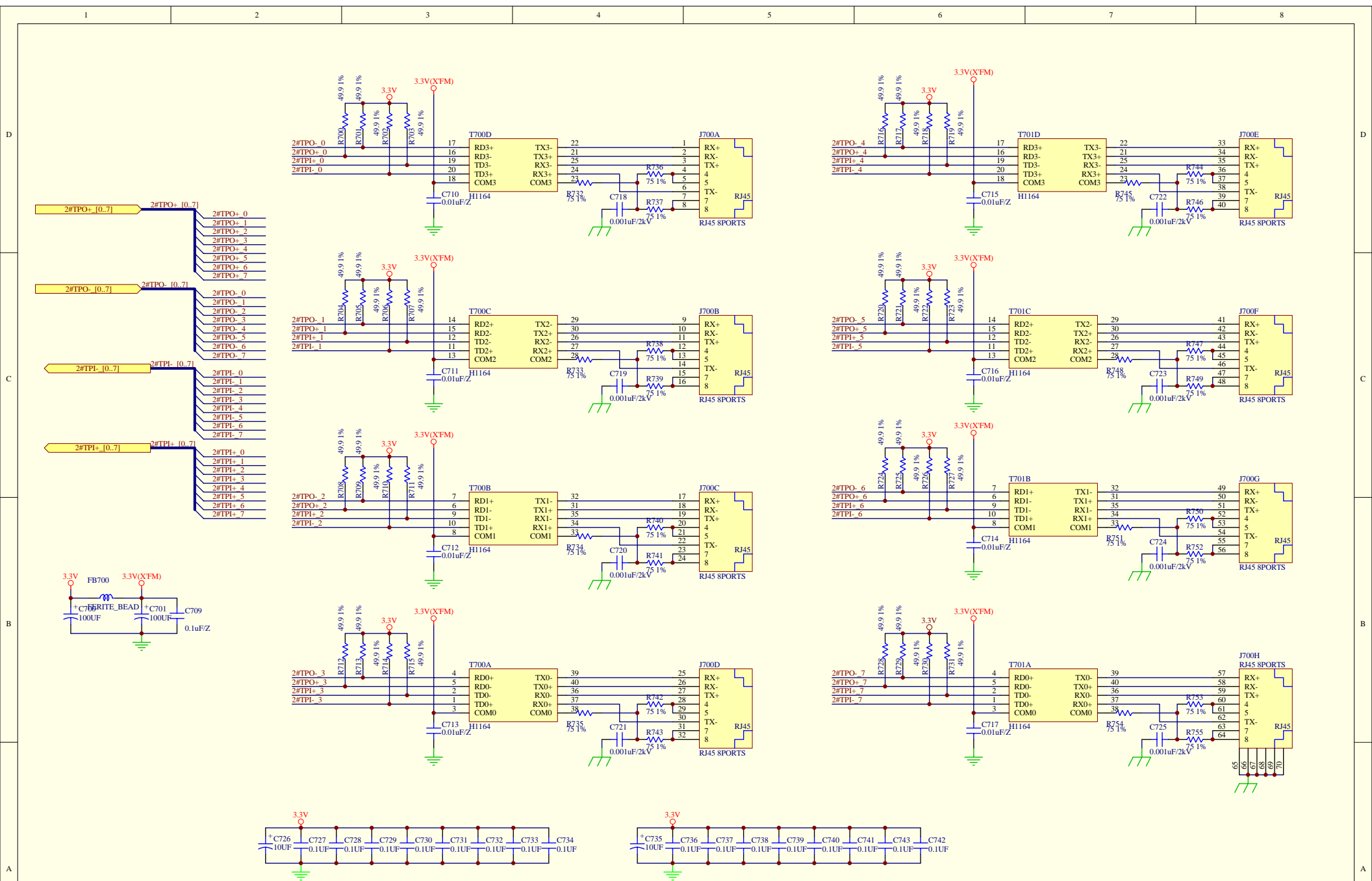
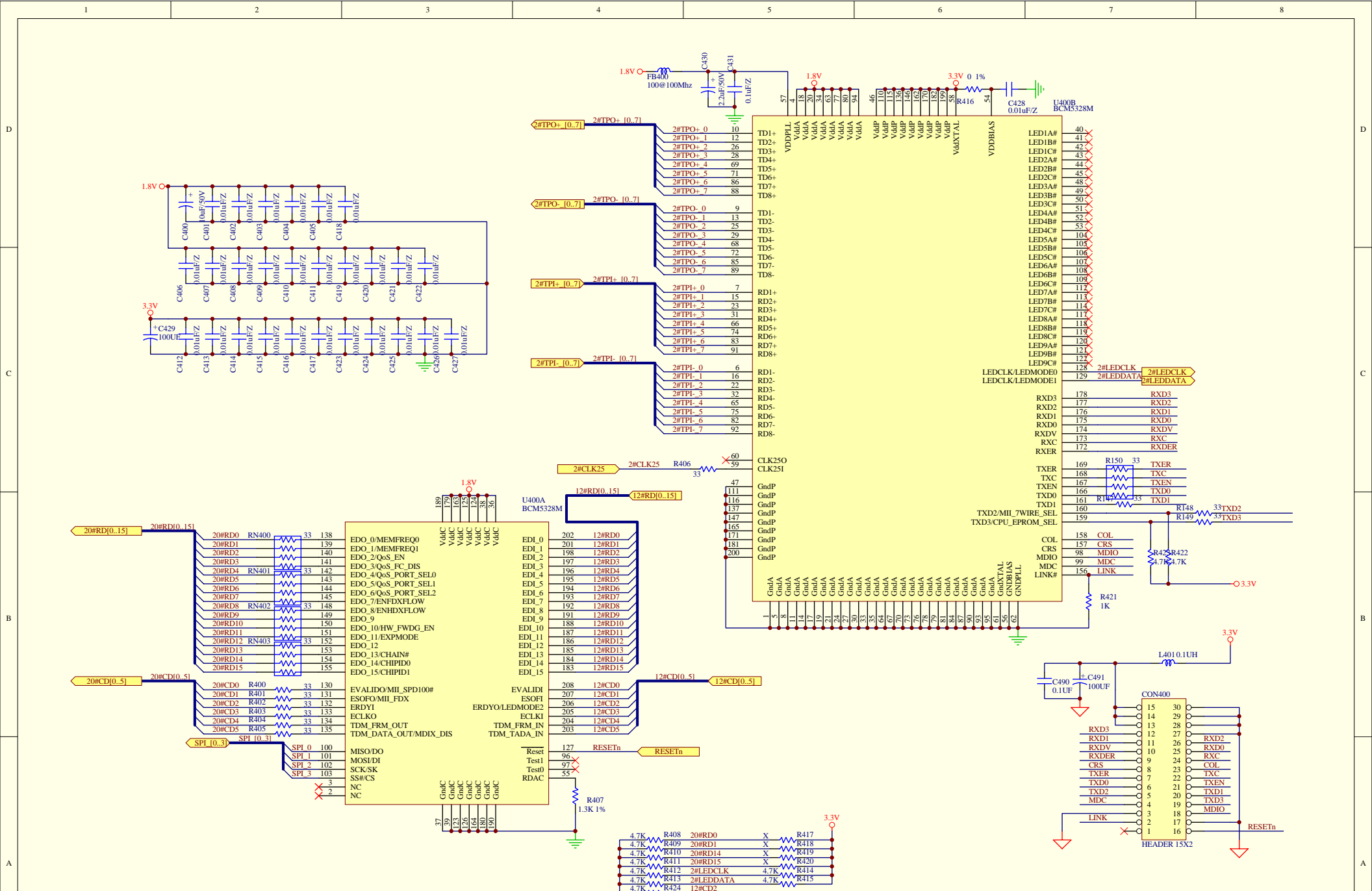


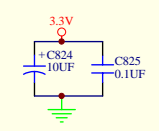
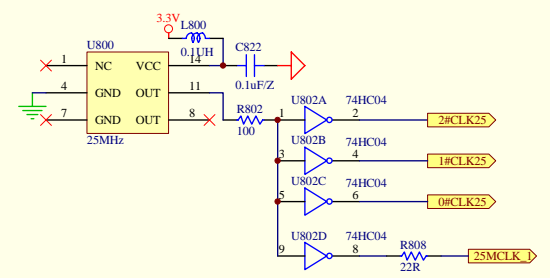
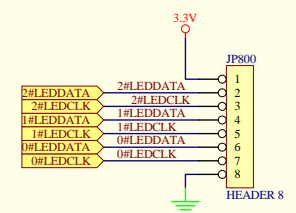
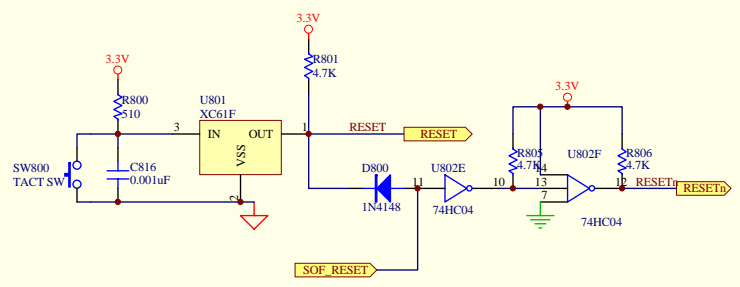
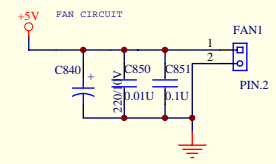
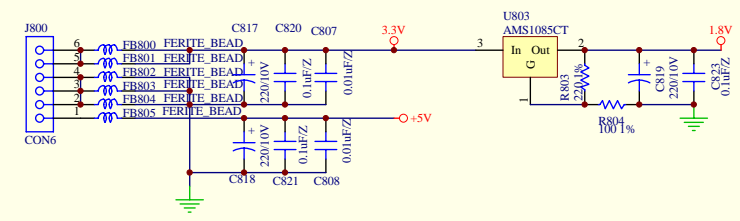
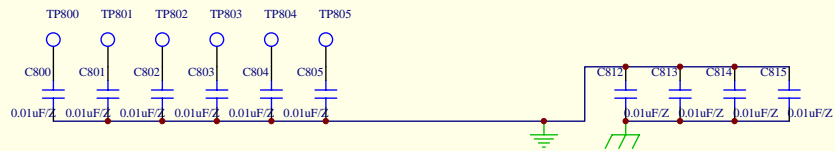
Title TCL Network Equipment Co.,LTD		
Size	Number	Revision
A3		
Date:	1-Dec-2009	Sheet of 6 OF 11
File:	E:\Products\以太网交换机\S4125MF+S4125MF\B0.DDB	



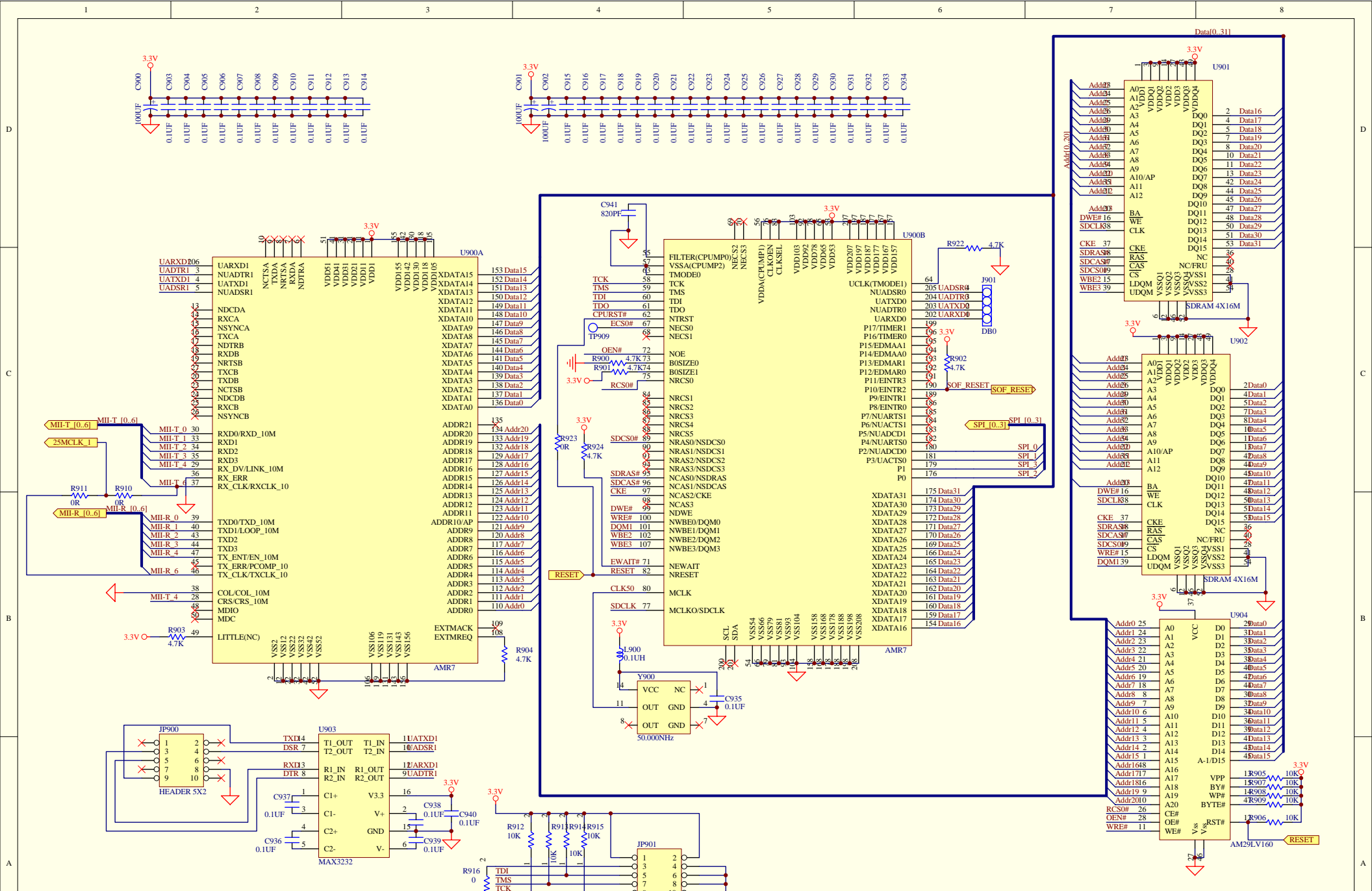
Title		
TCL Network Equipment Co.,LTD		
Size	Number	Revision
A3	TCL S4125MF+	
Date:	1-Dec-2009	Sheet of 7 OF 10
File:	E:\Products\以太网交换机(S4125MF+)\S4125MF_VB0.DDB	



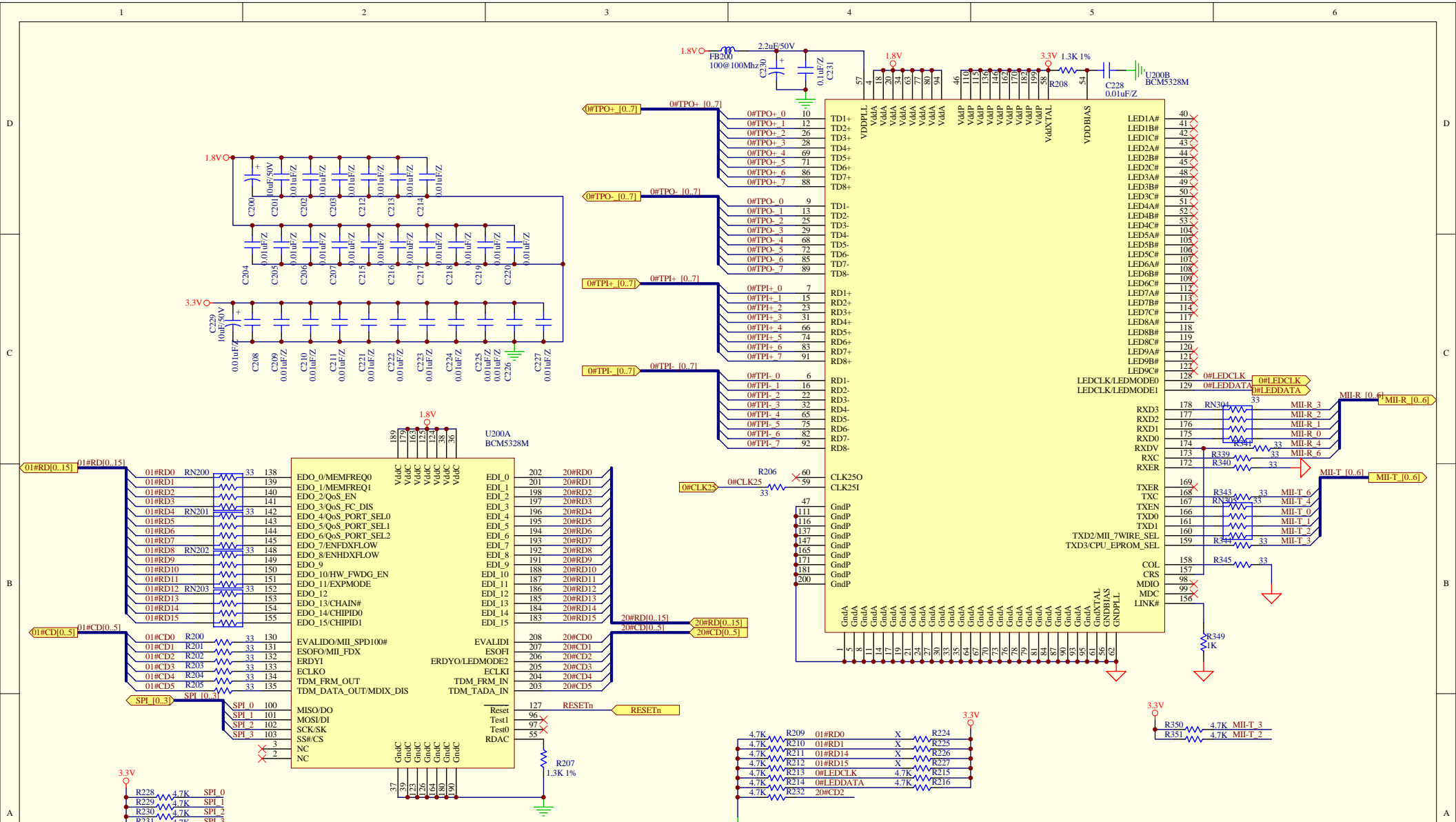
Title			TCL Network Equipment Co.,LTD		
Size	Number	TCL S4125MF+		Revision	
A3					
Date:	1-Dec-2009	Sheet of	4 OF 10		
File:	Products/以太网交换机/S4125MF+/S4125MF_VB0.DDB				



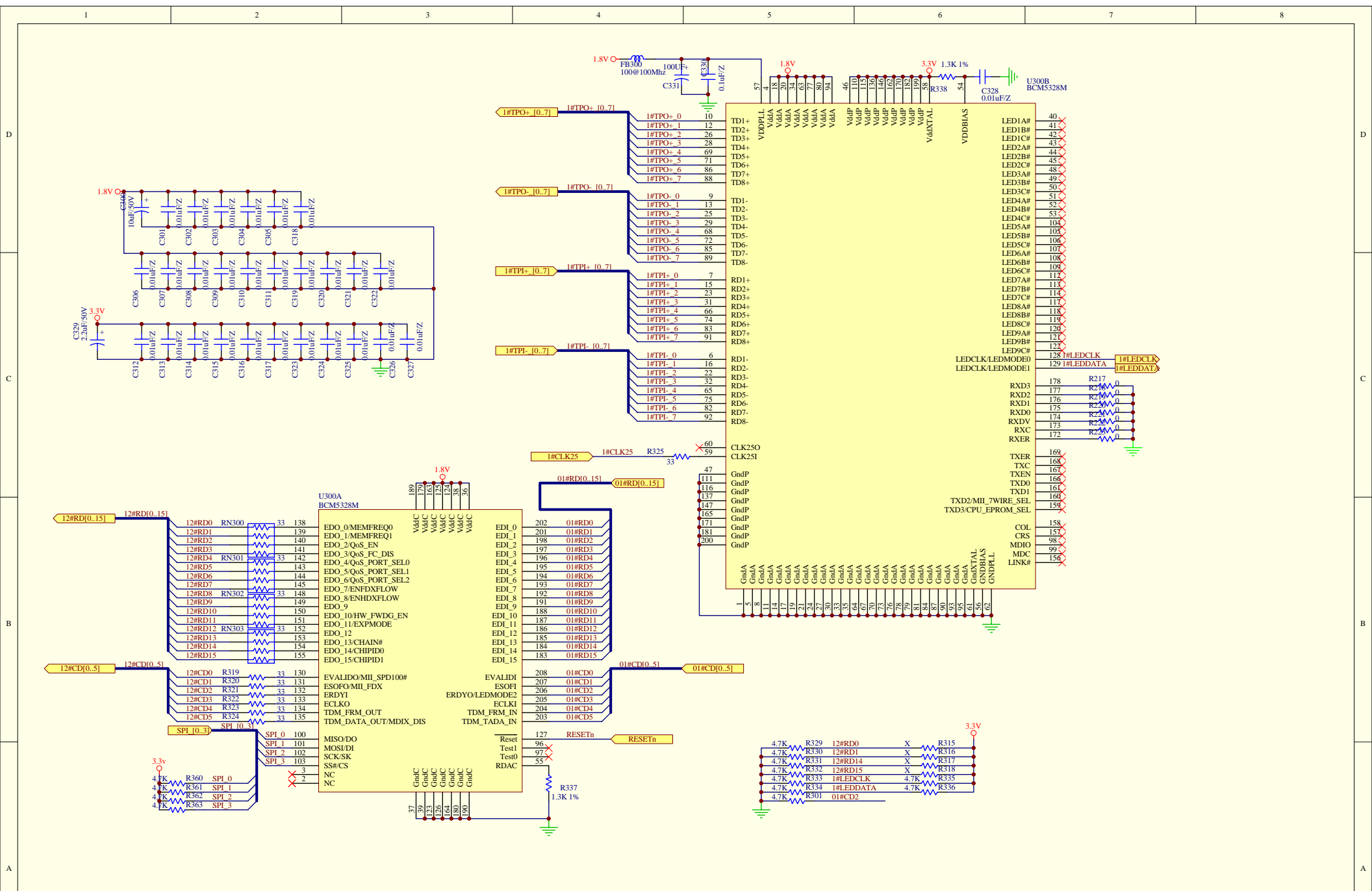
Title		
TCL Network Equipment Co.,LTD		
Size	Number	Revision
A3	TCL S4125MF+	
Date:	1-Dec-2009	Sheet of 8 OF 10
File:	E:\Products\以太网交换机\S4125MF+S4125MF\B0.DDB	



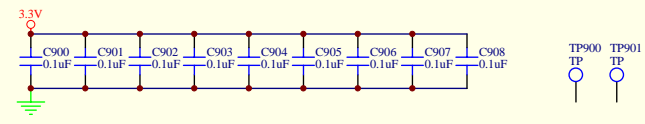
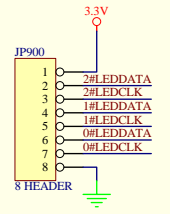
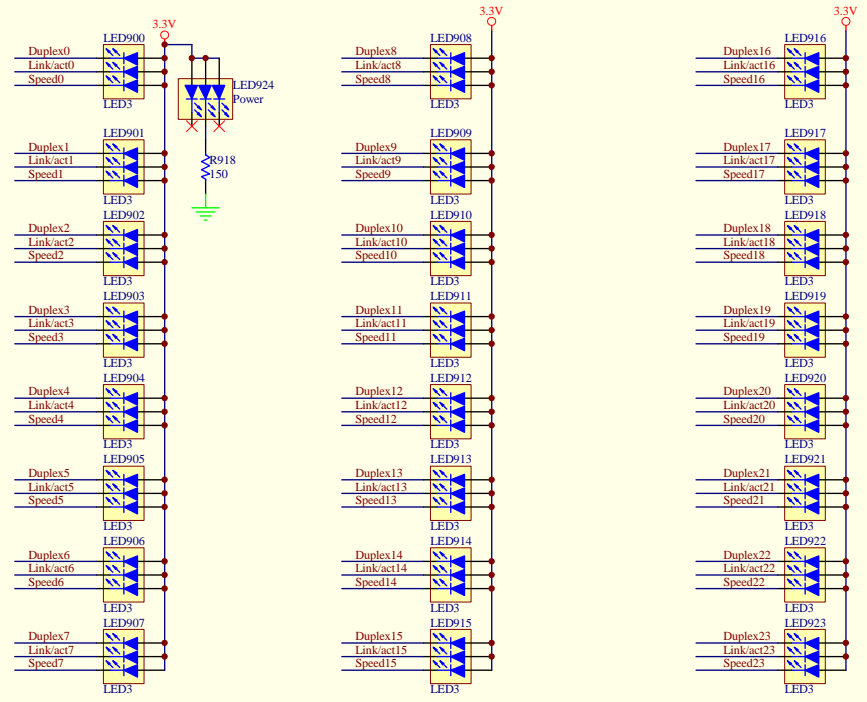
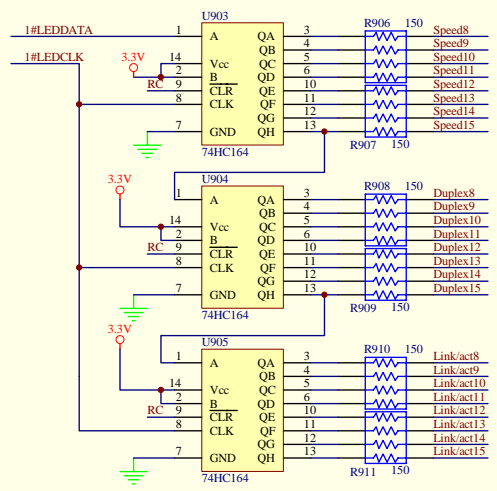
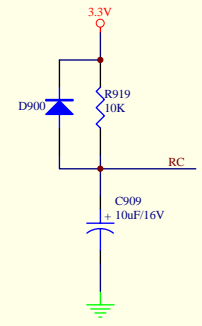
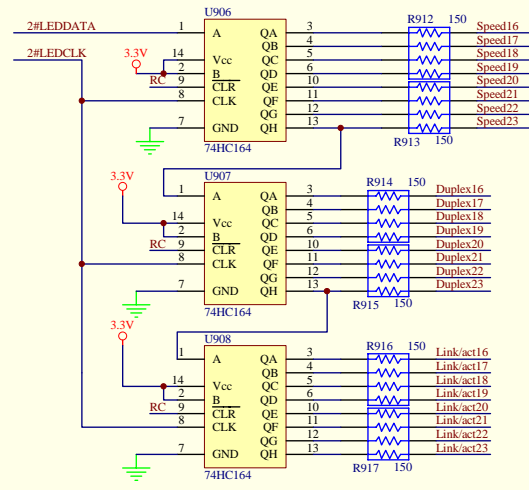
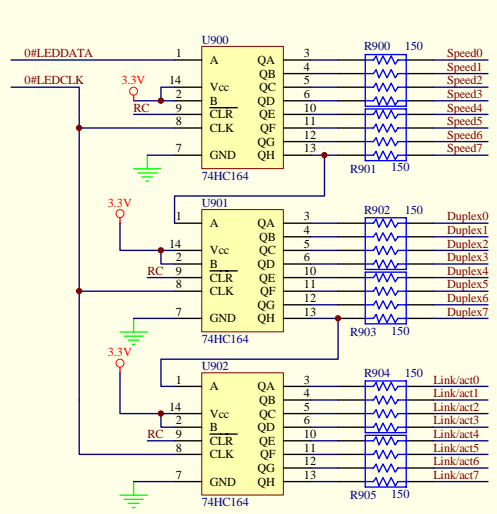
Title TCL Network Equipment Co.,LTD		
Size	Number	Revision
A3	TCL S4125MF+	
Date:	1-Dec-2009	Sheet of 9 OF 10
File:	J:Products\以太网交换机\S4125MF+ \S4125MF_V01.DDB	



Title		
TCL Network Equipment Co.,LTD		
Size	Number	Revision
B	TCL S4125MF+	
Date:	1-Dec-2009	Sheet of 2 OF 10
File:	J:\Products\以太网交换机\S4125MF+S4125MF\BOM\B40.DDB	



Title		
TCL Network Equipment Co.,LTD		
Size	Number	Revision
A3	TCL S4125MF+	
Date:	1-Dec-2009	Sheet of 3 OF 10
File:	E:\Products\以太网交换机\S4125MF+S4125MF\BOM\BOM.DDB	



Title		
TCL Communication Equipment (HuiZhou) Co.,LTD		
Size	Number	Revision
A3	TCL S4125MF+	
Date:	1-Dec-2009	Sheet of 10 OF 10
File:	Products以太网交换机(S4125MF+)(S4125MF).V8.0.DDB	

