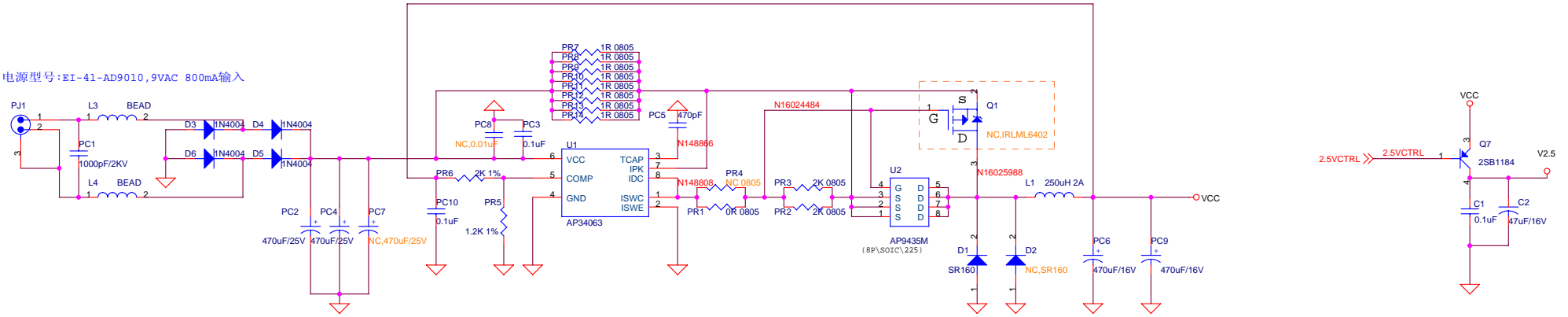
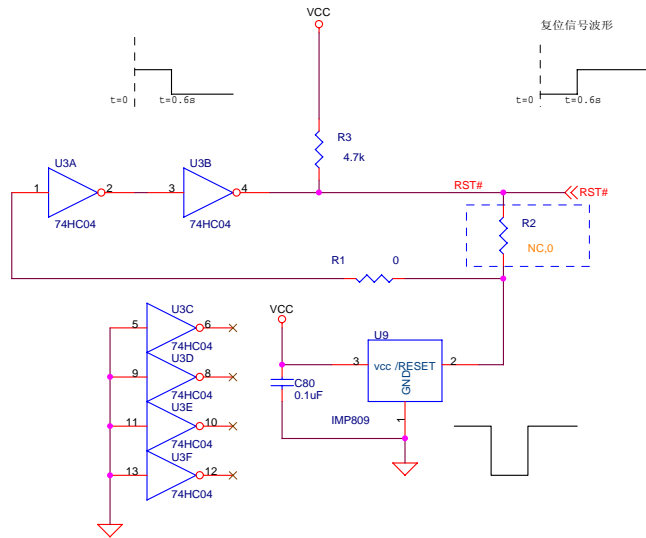


电源型号: EI-41-AD9010, 9VAC 800mA输入

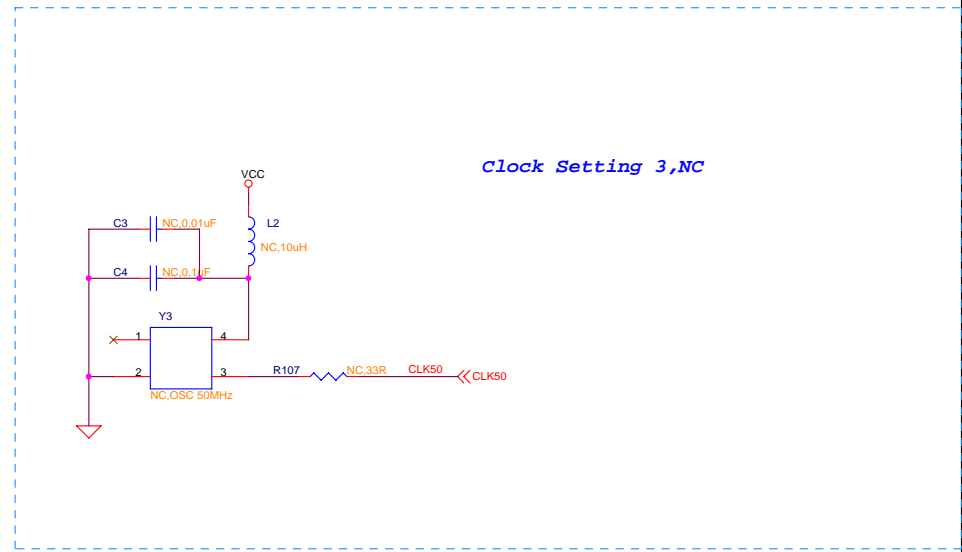


POWER (3.3V/2.5V DC)

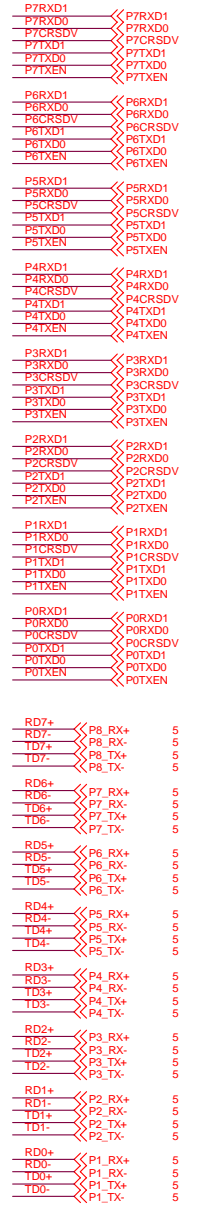
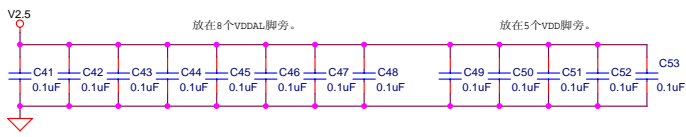
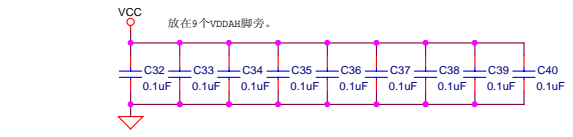
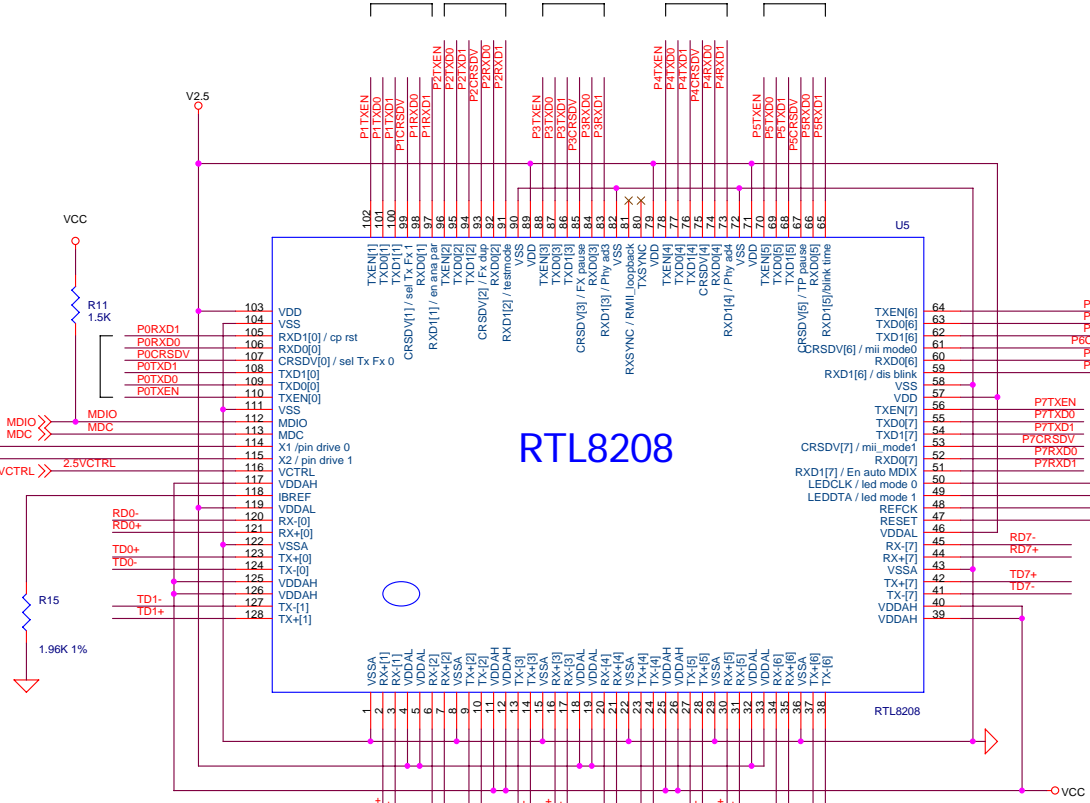
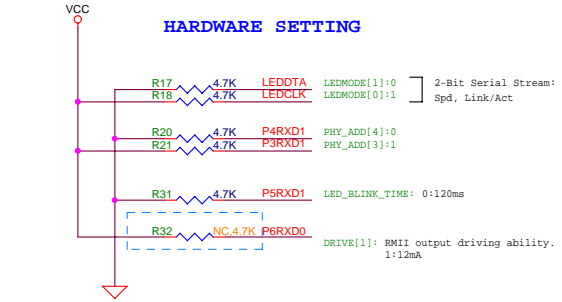
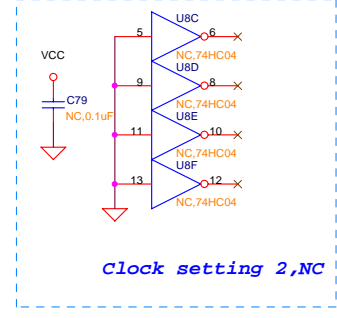
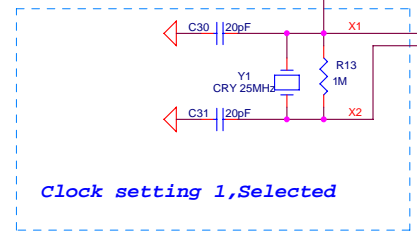
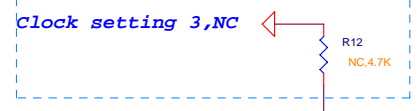
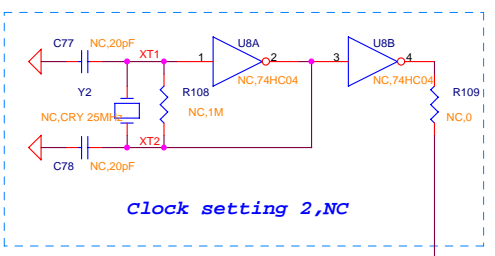
RESET



Clock Setting 3,NC



Title		
TL-SF1008M (水屋S108M)		
Size	Document Number	Rev
Custom	-Power+Reset	2.2(2.3)
Date:	Friday, January 17, 2003	Sheet 1 of 5



Title		
TL-SF1008M (水量S108M)		
Size	Document Number	Rev
Custom-Doc<		2.2(2.3)
Date:	Friday, January 17, 2003	Sheet 2 of 5

Enable back pressure.
ENBKPRS R9 0 VCC
(Internal 1)

Broadcast storm control:0--Disabled.
ENBRDCTRL R7 0
(Internal 0)

Enable full duplex flow control.
ENFCTRL R10 0 VCC
(Internal 1)

Enable store-and-forward mode.
ENCUTHR R8 0
(Internal 0)

0603

系统时钟输入, 50MHz

Port 3

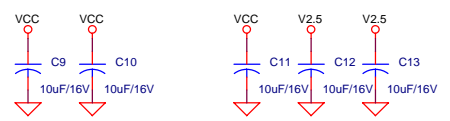
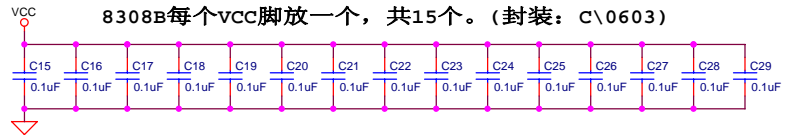
Port 0

Port 1

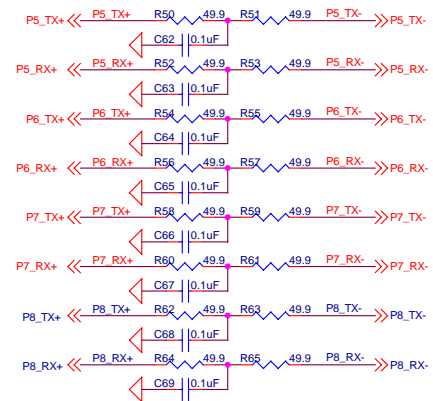
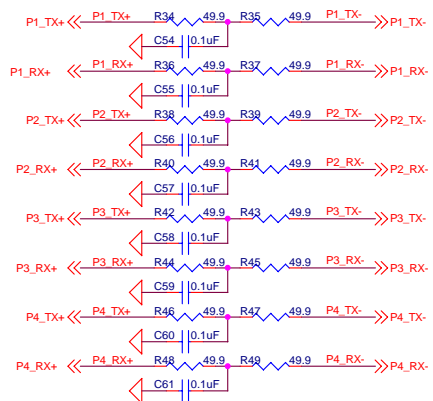
Port 2

RTL8308B

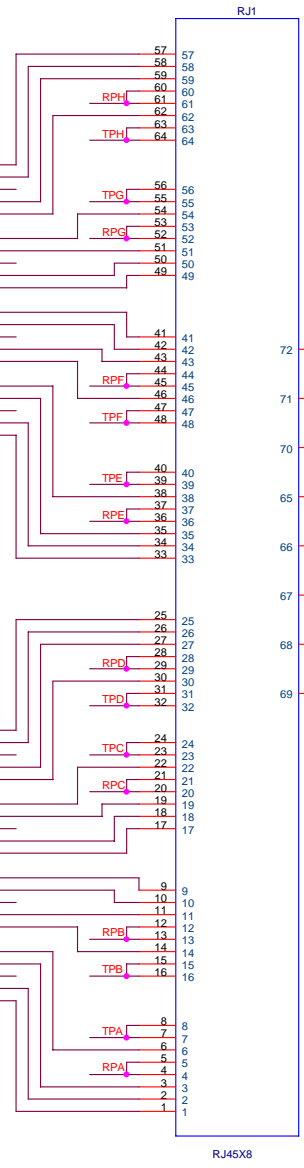
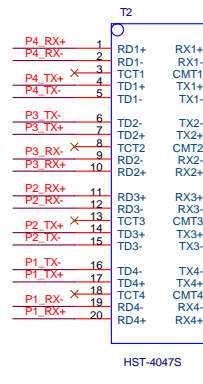
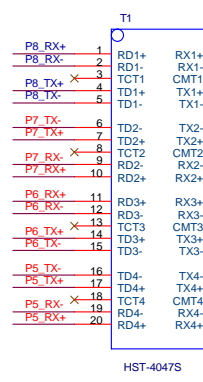
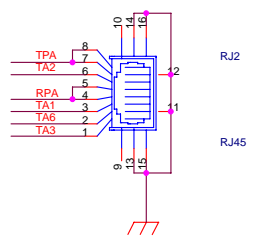
两个滤波电容放在8308B周围, 三个放在8208周围。(封装: C\1206)



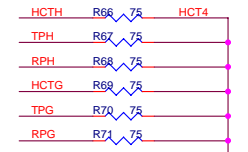
Title		TL-SF1008M (水型S108M)	
Size	Document Number	Rev	
Custom<Doc>		2.2(2.3)	
Date:	Friday, January 17, 2003	Sheet	3 of 5



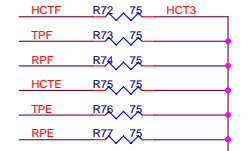
UPLINK PORT



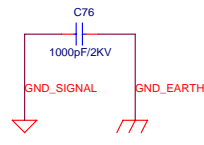
PORT8



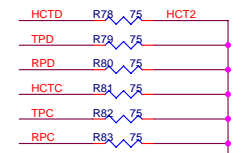
PORT7



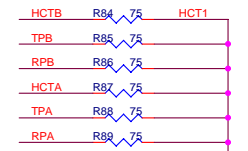
PORT5



PORT4

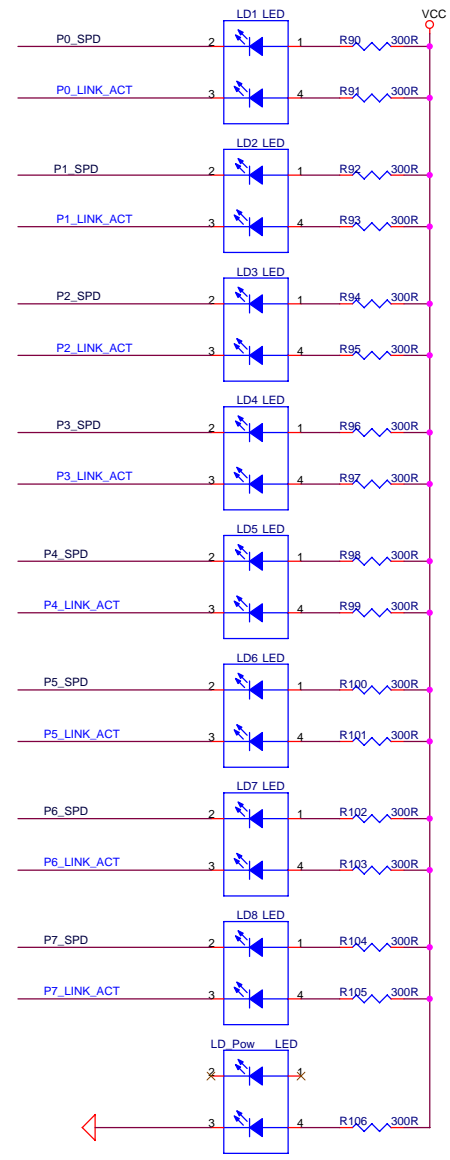
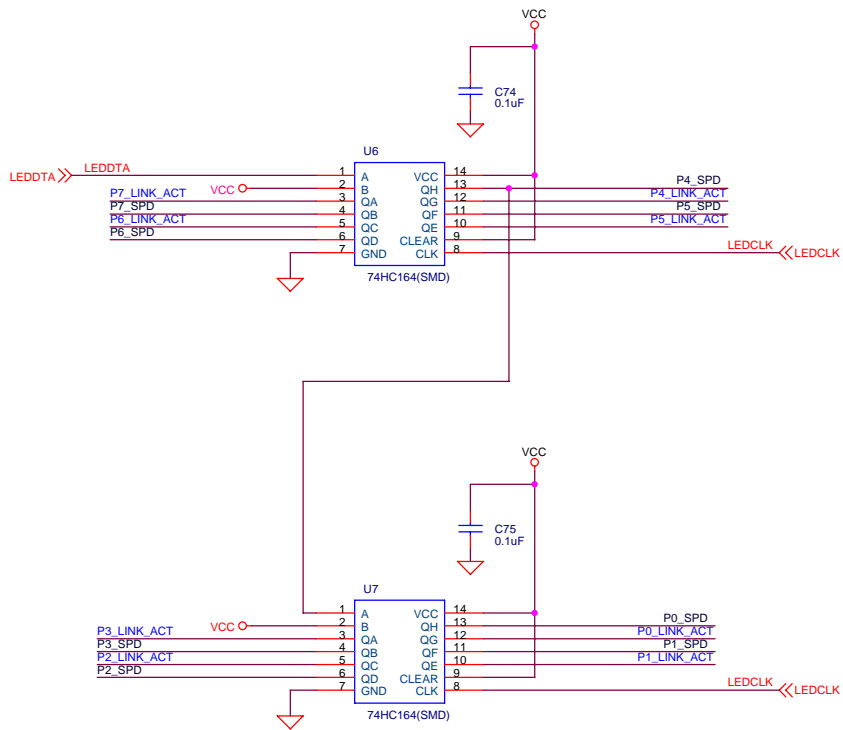


PORT2



PORT1

Title		
TL-SF1008M (水素S108M)		
Size	Document Number	Rev
Custom-Doc>		2.2(2.3)
Date:	Friday, January 17, 2003	Sheet 4 of 5



Title		
TL-SF1008M (水型S108M)		
Size	Document Number	Rev
Custom	<Doc>	2(2.3)
Date:	Friday, January 17, 2003	Sheet 5 of 5