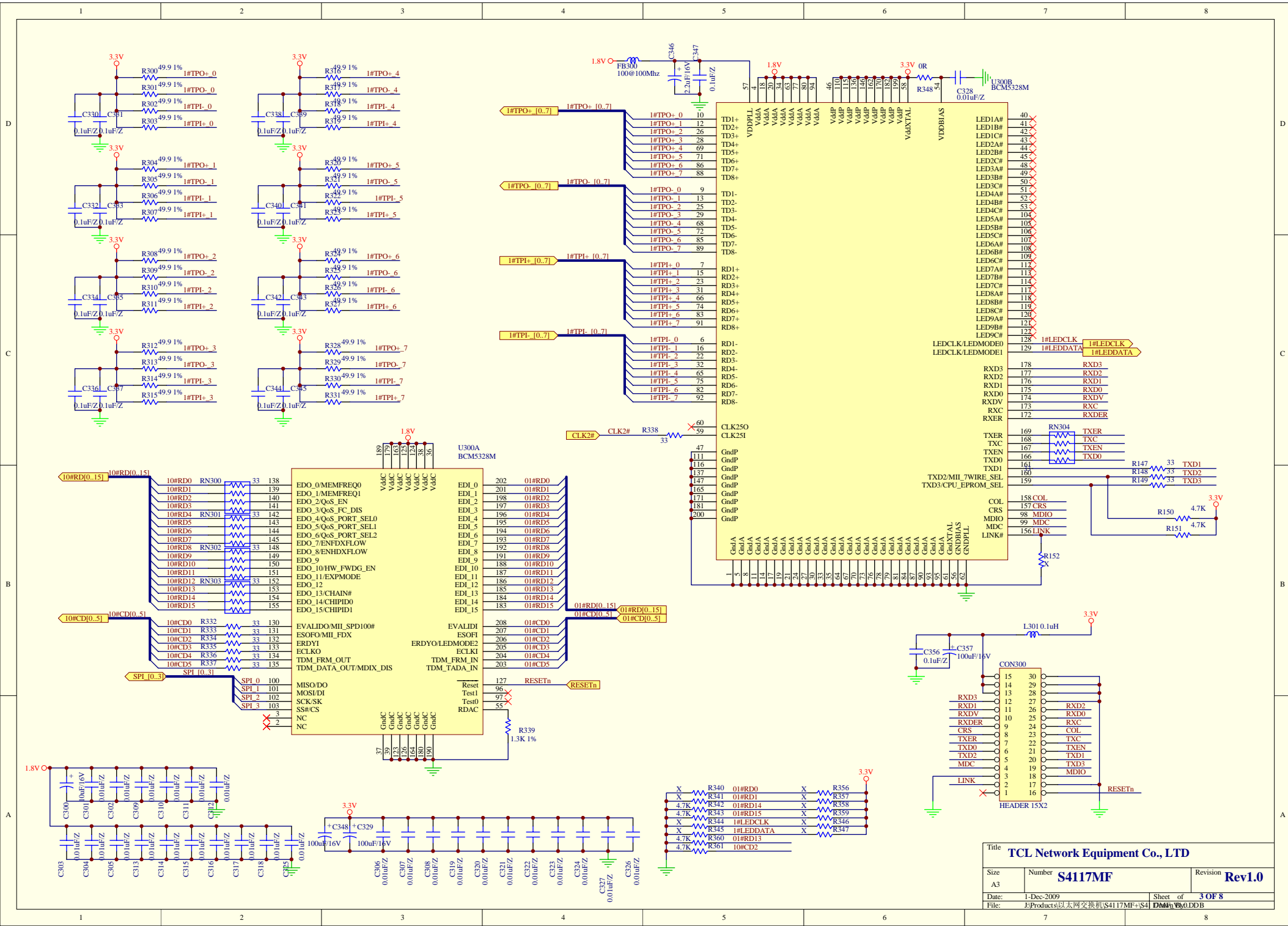
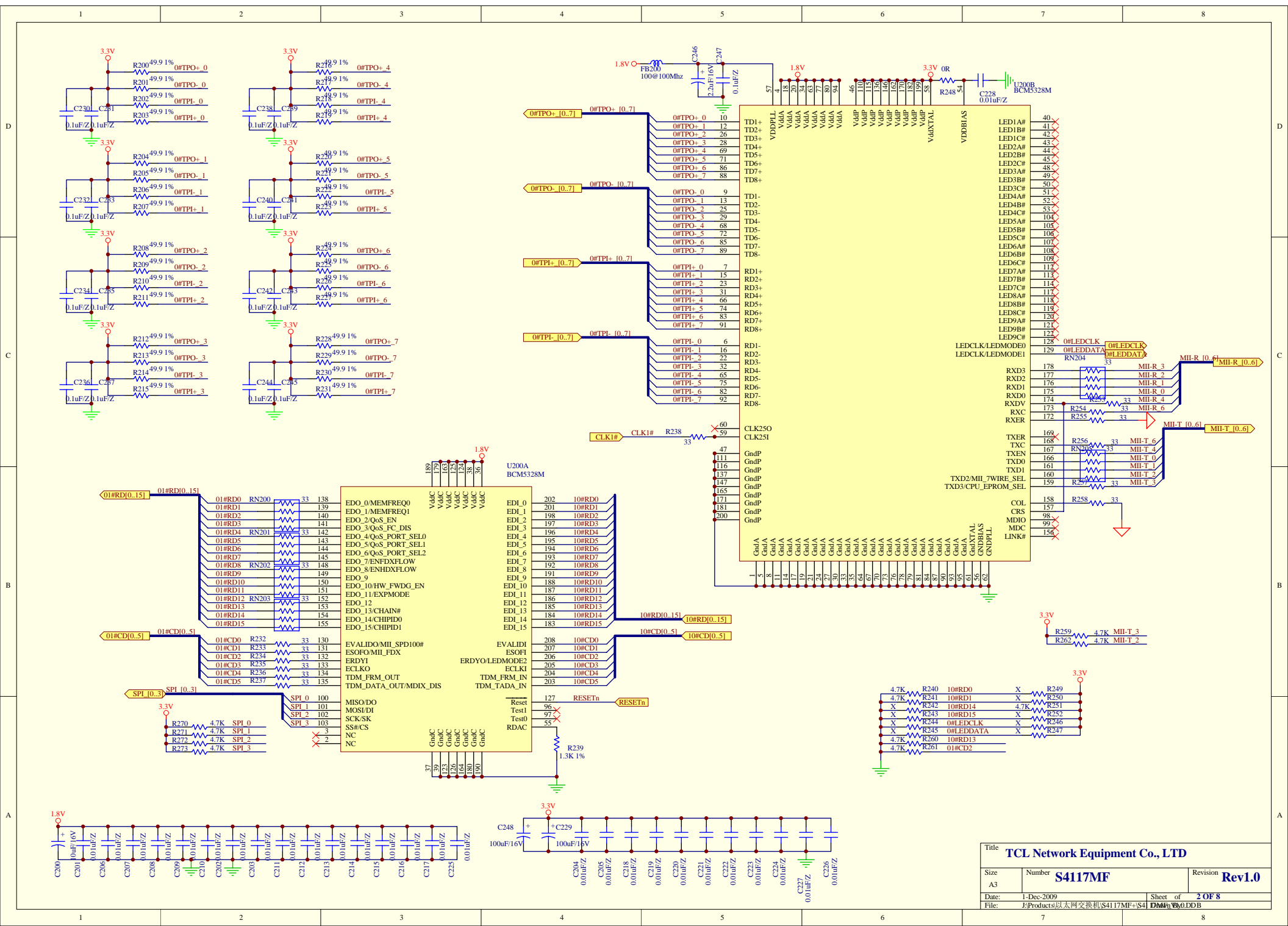
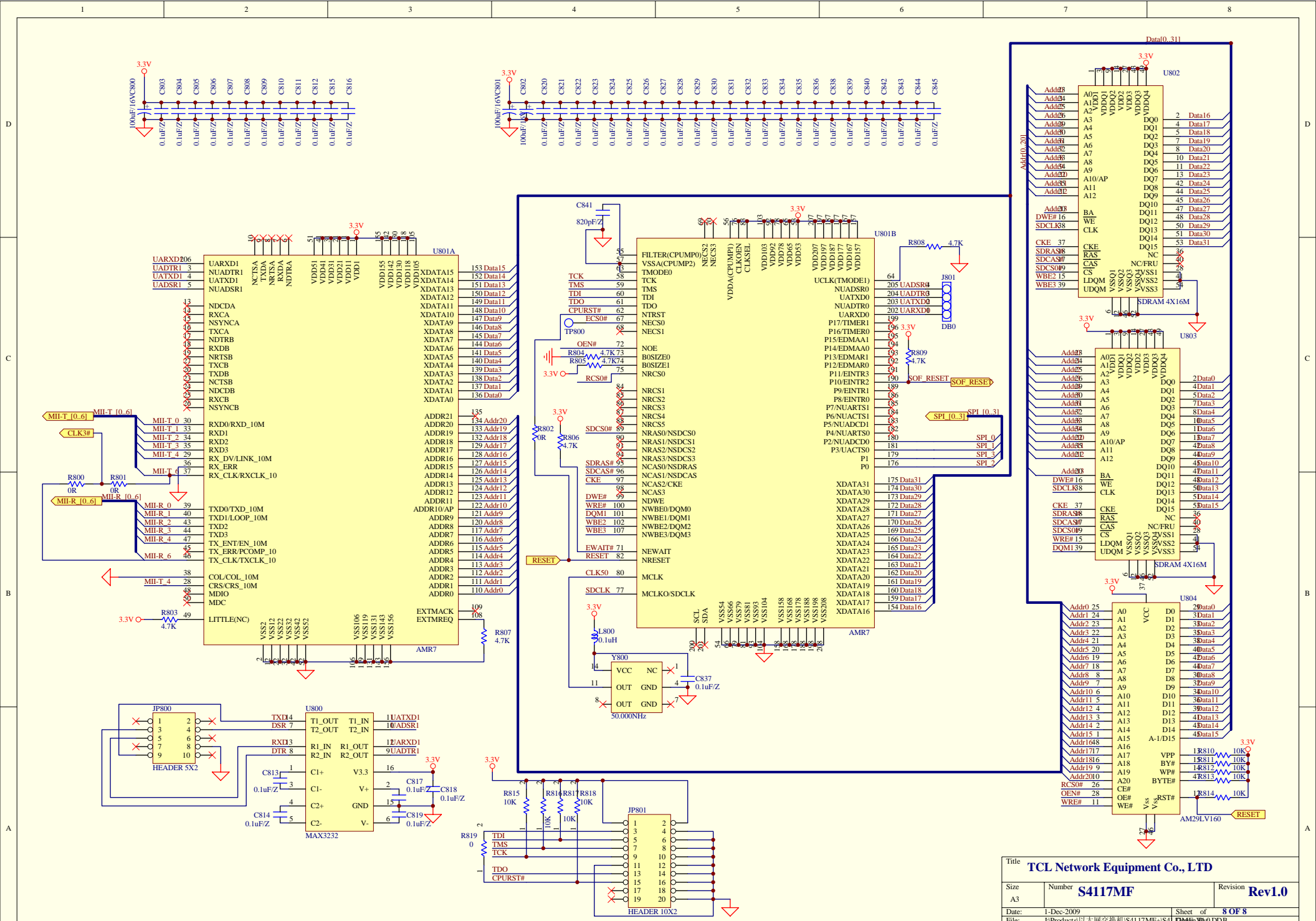


Title TCL Network Equipment Co., LTD		
Size A3	Number S4117MF	Revision Rev1.0
Date: 1-Dec-2009	Sheet of 5 OF 8	File: E:\Products\以太网交换机(S4117MF+)\S4117MF_V8.0.DDB

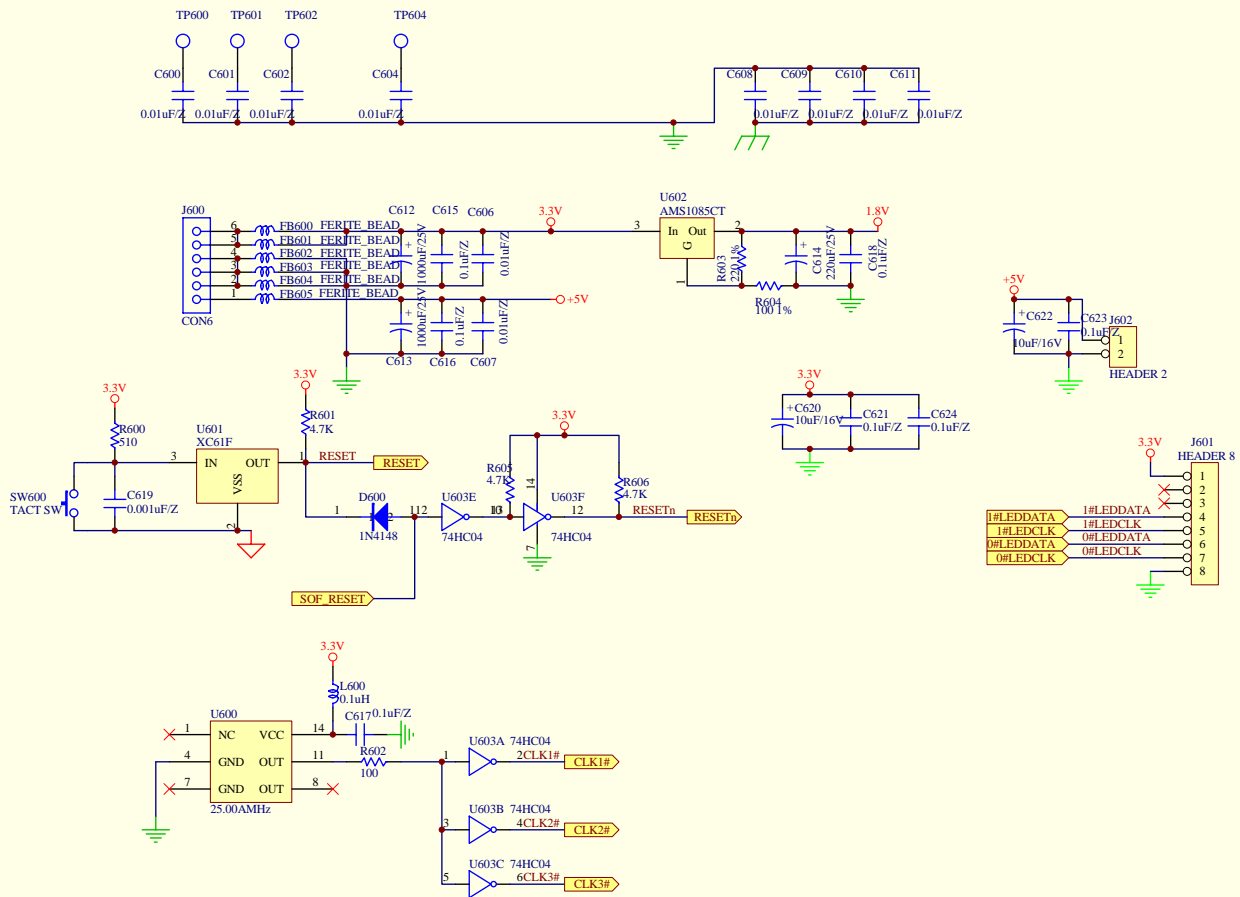


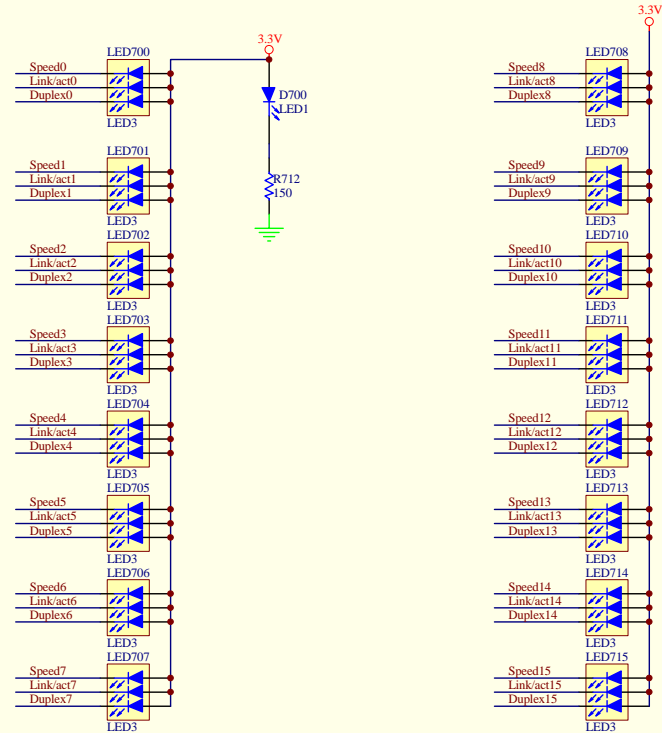
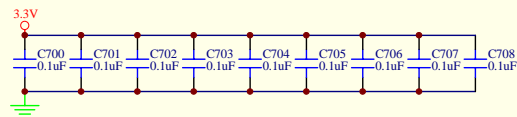
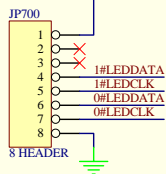
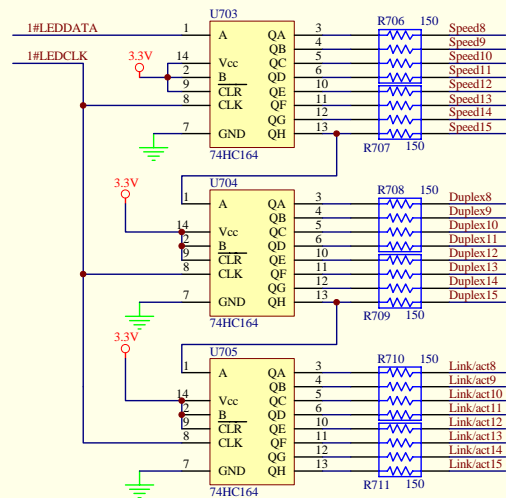
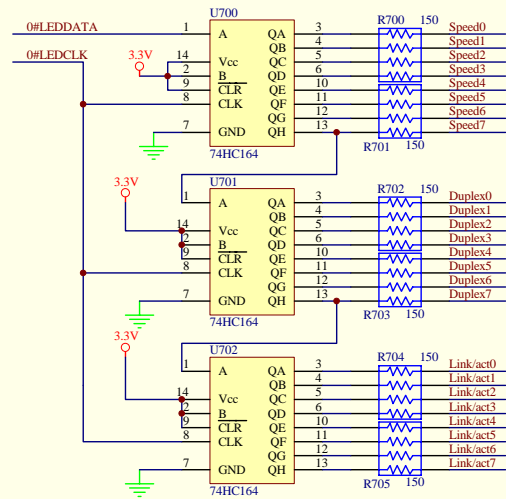
Title TCL Network Equipment Co., LTD			
Size A3	Number S4117MF	Revision Rev1.0	
Date: 1-Dec-2009	Sheet of 3 OF 8	File: D:\Products\以太网交换机(S4117MF+)\S4117MF_V8.DDB	





Title			TCL Network Equipment Co., LTD		
Size	Number	S4117MF		Revision	Rev1.0
Date:	1-Dec-2009	Sheet of	8 OF 8		
File:	J:Products\以太网交换机(S4117MF+S4117MF_V8.0.DDB)				





Title TCL Network Equipment Co., LTD		
Size B	Number S4117MF	Revision Rev1.0
Date: 1-Dec-2009	Sheet of 7 OF 8	
File: J:\Products\以太网交换机\S4117MF+S4117MF\BOM\BOM.DDB		