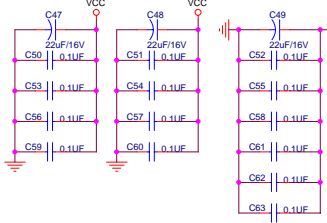
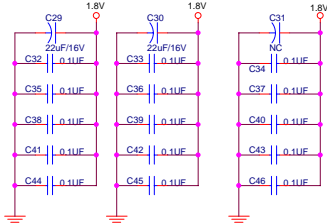
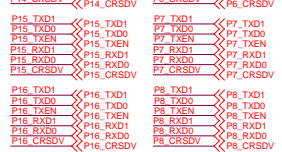
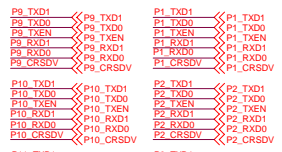
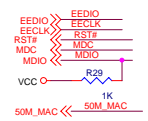
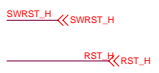
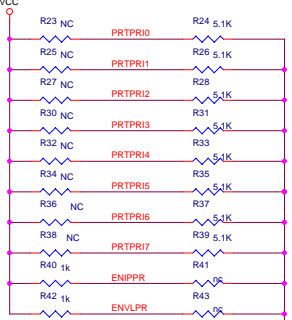


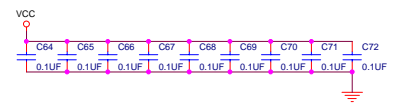
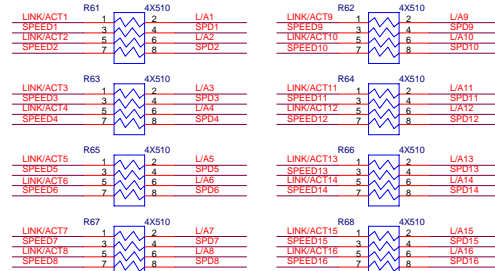
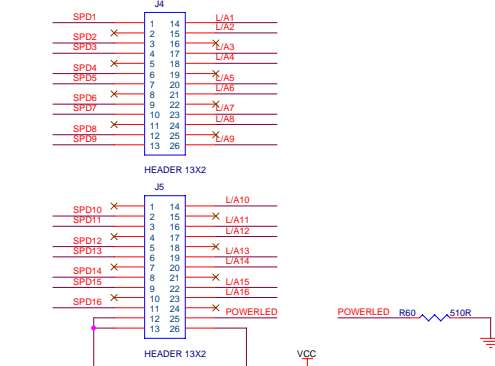
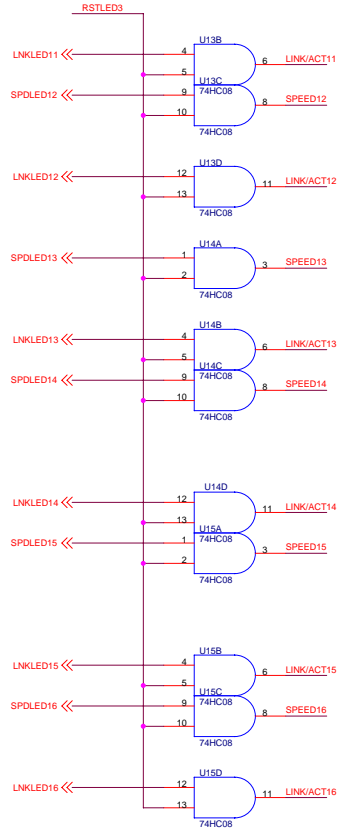
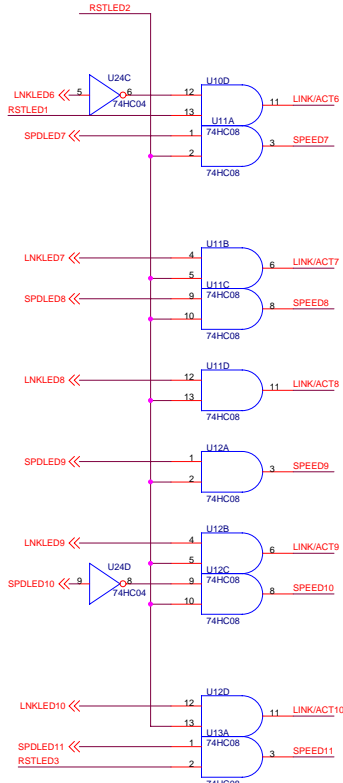
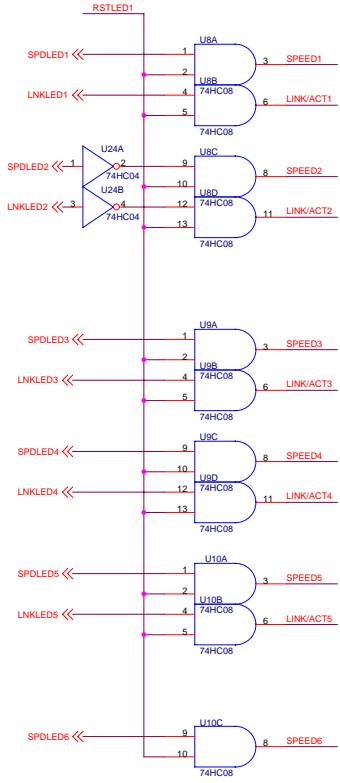
| | | | |
|-------------------------|-----------------------|--------|--------|
| DESIGNED BY: ZHUZHENFEI | | | |
| File | Clock & Power | | |
| Size | Document Number | 水屋S116 | Rev A1 |
| Date | Monday, June 25, 2001 | Sheet | 1 of 7 |



| Pin | Signal | Value | Signal | Value |
|-----|----------|-------|----------|-------------------|
| 1 | GND | | TXEN11 | 156 P12 TXEN 1.8V |
| 2 | RST# | | VD_1.8V | 155 MDC |
| 3 | GND | | MCLK | 153 MDIO |
| 4 | VCC | | MDIO | 152 |
| 5 | VDD_3.3V | | CLK75M | |
| 6 | TNK40 | | CLK | 150 VCC |
| 7 | TNK41 | | VDD_3.3V | 149 REFCLK |
| 8 | VDD_3.3V | | TNK80 | |
| 9 | TNK81 | | VSS_1.8V | 147 P11 RXD1 |
| 10 | GND | | TNKMOD0 | |
| 11 | VSS_1.8V | | RXDAT100 | 146 P11 RXD0 |
| 12 | GND | | CRS_DV10 | 145 P11 CRSDV |
| 13 | VDD_3.3V | | VDD_1.8V | 144 P11 TXD1 1.8V |
| 14 | 1.8V | | TXDAT101 | 142 P11 TXD0 |
| 15 | VDD_1.8V | | TXDAT100 | 141 P11 TXEN |
| 16 | PRTPR10 | | TXEN10 | |
| 17 | VCC | | VSS_3.3V | 139 P10 RXD1 |
| 18 | PRTPR11 | | RXDAT81 | 138 P10 RXD0 |
| 19 | PRTPR12 | | CRS_DV9 | 136 VCC |
| 20 | PRTPR13 | | CRS_DV8 | |
| 21 | VSS_1.8V | | TXDAT91 | 135 P10 TXD1 |
| 22 | PRTPR14 | | TXDAT90 | 133 P10 TXEN |
| 23 | VDD_3.3V | | TXEN9 | |
| 24 | PRTPR15 | | VSS_3.3V | 132 |
| 25 | PRTPR16 | | RXDAT80 | 130 P9 RXD1 |
| 26 | PRTPR17 | | VDD_3.3V | 129 P9 CRSDV |
| 27 | VDD_1.8V | | CRS_DV8 | |
| 28 | VCC | | TXDAT81 | 128 VCC |
| 29 | PRILEV0 | | TXDAT80 | |
| 30 | PRILEV1 | | TXEN8 | 124 P8 RXD1 |
| 31 | PRILEV2 | | RXDAT71 | 122 P8 RXD0 |
| 32 | PRILEV3 | | CRS_DV7 | 121 P8 CRSDV |
| 33 | PRILEV4 | | VDD_1.8V | 119 P8 TXD1 |
| 34 | PRILEV5 | | VDD_1.8V | 118 P8 RXD0 |
| 35 | PRILEV6 | | TXEN7 | 117 P8 TXEN |
| 37 | PRILEV7 | | TXDAT71 | |
| 38 | VCC | | TXDAT70 | |
| 39 | VDD_3.3V | | VSS_1.8V | 115 P7 RXD1 |
| 40 | ENIPPR | | RXDAT61 | 114 P7 RXD0 |
| 41 | ENVLPR | | CRS_DV6 | 113 P7 CRSDV |
| 42 | GND | | VDD_1.8V | 112 |
| 43 | GND | | TXDAT60 | 110 P7 TXEN |
| 44 | BCBSTEN | | TXEN6 | 108 |
| 45 | BCSTTR | | VSS_3.3V | 107 P6 RXD1 |
| 46 | REJMCT | | RXDAT51 | 107 P6 RXD0 |
| 47 | VDD_1.8V | | CRS_DV5 | 105 P6 CRSDV |
| 48 | FCOPT | | | |
| 49 | VCC | | | |
| 50 | VDD_3.3V | | | |
| 51 | DISBPR | | | |
| 52 | VSS_3.3V | | | |

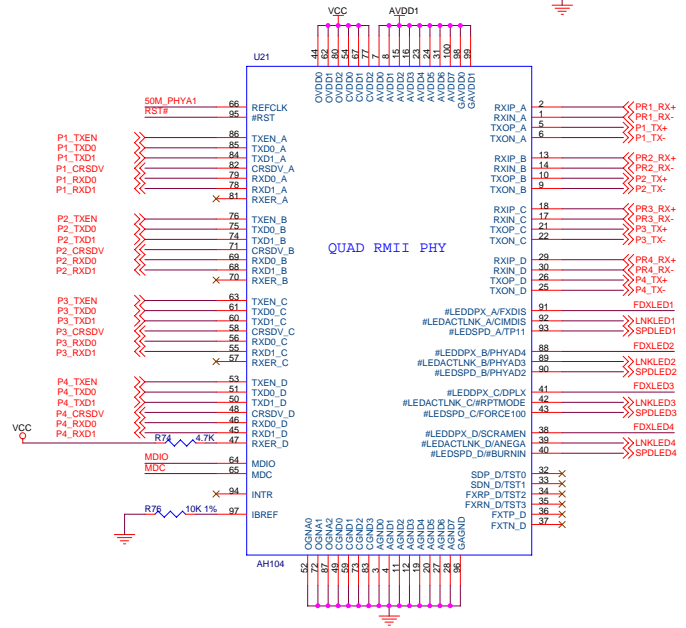
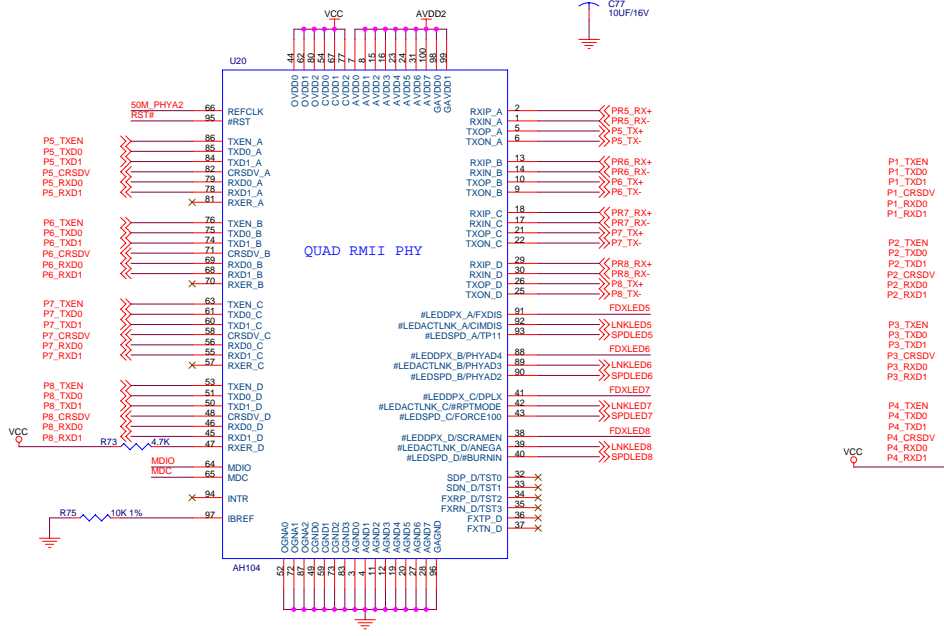
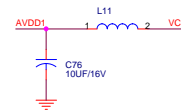
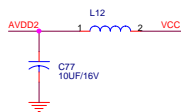
| Pin | Signal | Value | Signal | Value |
|-----|----------|-------|----------|-------|
| 53 | VSS_1.8V | | TXEN5 | |
| 54 | DISBPR | | RXDAT41 | |
| 55 | VDD_1.8V | | CRS_DV4 | |
| 56 | OVLED | | VDD_3.3V | |
| 57 | OVLED | | VDD_3.3V | |
| 58 | OVLED | | CRS_DV0 | |
| 59 | OVLED | | RXDAT01 | |
| 60 | OVLED | | TXEN0 | |
| 61 | P1 TXD1 | | VDD_1.8V | |
| 62 | P1 TXEN | | TXD0 | |
| 63 | P1 RXD0 | | VDD_3.3V | |
| 64 | P1 RXD1 | | CRS_DV1 | |
| 65 | P1 CRSDV | | RXD0 | |
| 66 | P2 TXD0 | | VSS_1.8V | |
| 67 | P2 TXEN | | TXD1 | |
| 68 | P2 RXD0 | | VDD_1.8V | |
| 69 | P2 RXD1 | | CRS_DV2 | |
| 70 | P2 CRSDV | | RXD1 | |
| 71 | P3 TXD0 | | VSS_1.8V | |
| 72 | P3 TXEN | | TXD2 | |
| 73 | P3 RXD0 | | VDD_3.3V | |
| 74 | P3 RXD1 | | CRS_DV3 | |
| 75 | P3 CRSDV | | RXD2 | |
| 76 | P4 TXD0 | | VSS_1.8V | |
| 77 | P4 TXEN | | TXD3 | |
| 78 | P4 RXD0 | | VDD_1.8V | |
| 79 | P4 RXD1 | | CRS_DV4 | |
| 80 | P4 CRSDV | | RXD3 | |
| 81 | P5 TXD0 | | VSS_1.8V | |
| 82 | P5 TXEN | | TXD4 | |
| 83 | P5 RXD0 | | VDD_3.3V | |
| 84 | P5 RXD1 | | CRS_DV5 | |
| 85 | P5 CRSDV | | RXD4 | |
| 86 | P6 TXD0 | | VSS_1.8V | |
| 87 | P6 TXEN | | TXD5 | |
| 88 | P6 RXD0 | | VDD_1.8V | |
| 89 | P6 RXD1 | | CRS_DV6 | |
| 90 | P6 CRSDV | | RXD5 | |
| 91 | P7 TXD0 | | VSS_3.3V | |
| 92 | P7 TXEN | | TXD6 | |
| 93 | P7 RXD0 | | VDD_3.3V | |
| 94 | P7 RXD1 | | CRS_DV7 | |
| 95 | P7 CRSDV | | RXD6 | |
| 96 | P8 TXD0 | | VSS_1.8V | |
| 97 | P8 TXEN | | TXD7 | |
| 98 | P8 RXD0 | | VDD_1.8V | |
| 99 | P8 RXD1 | | CRS_DV8 | |
| 100 | P8 CRSDV | | RXD7 | |
| 101 | P9 TXD0 | | VSS_3.3V | |
| 102 | P9 TXEN | | TXD8 | |
| 103 | P9 RXD0 | | VDD_3.3V | |
| 104 | P9 RXD1 | | CRS_DV9 | |
| 105 | P9 CRSDV | | RXD8 | |

(RSTLED1) RSTLED1 << RSTLED1
 RSTLED2 << RSTLED2
 RSTLED3 << RSTLED3



| | | |
|-------------------------|-----------------------|--------------|
| DESIGNED BY: ZHUZHENFEI | | |
| File | LED Display | |
| Size | Document Number | Rev |
| | 水星S116 | A1 |
| Date | Monday, June 25, 2001 | Sheet 3 of 7 |

50M_PHYA1 <-> 50M_PHYA1
 50M_PHYA2 <-> 50M_PHYA2
 MDC <-> MDC
 MDIO <-> MDIO
 RST# <-> RST#

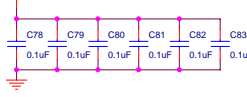
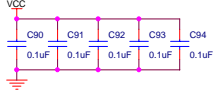
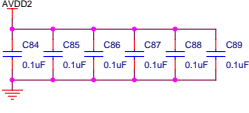
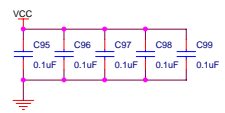


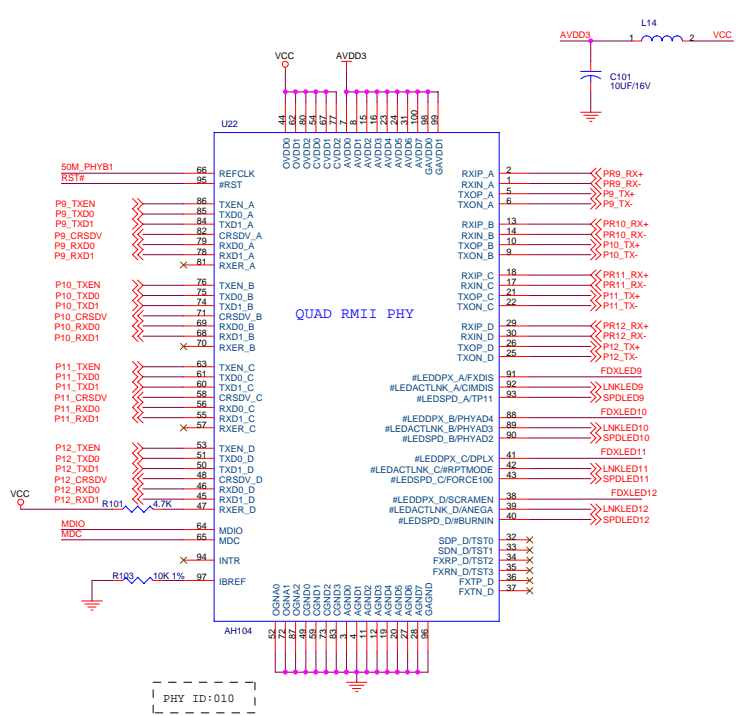
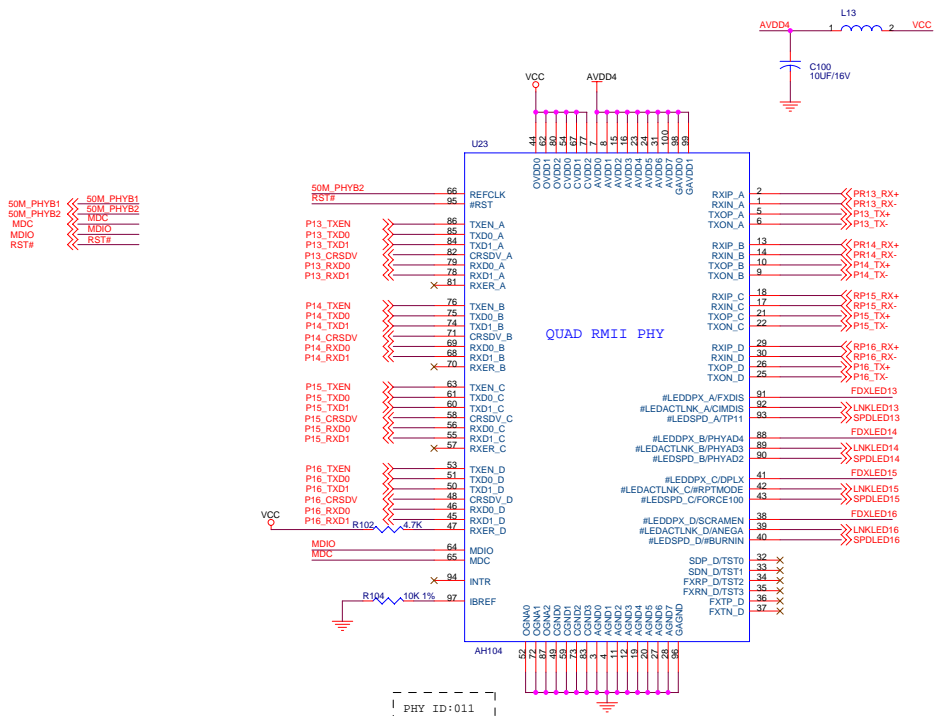
PHY ID:001

PHY ID:000

| | | | | | | | | | |
|-----------------|---------|------|-----|-----|---------|------|-----|-----|-------------------|
| TX/FX(1:0) | FDXLED5 | 4.7K | R77 | VCC | FDXLED7 | 4.7K | R78 | VCC | FDX EN/DIS(1:0) |
| CIM DIS/EN(1:0) | LNKLED5 | 4.7K | R79 | VCC | LNKLED7 | 4.7K | R80 | VCC | RPT DIS/EN(1:0) |
| TP 1/1.25(1:0) | SPDLED5 | 4.7K | R83 | VCC | SPDLED7 | 4.7K | R84 | VCC | 100M EN/DIS(1:0) |
| PHY ID4 | FDXLED6 | 4.7K | R87 | GND | FDXLED8 | 4.7K | R88 | VCC | SCRAM EN/DIS(1:0) |
| PHY ID3 | LNKLED6 | 4.7K | R91 | GND | LNKLED8 | 4.7K | R92 | VCC | AUTO EN/DIS(1:0) |
| PHY ID2 | SPDLED6 | 4.7K | R95 | VCC | SPDLED8 | 4.7K | R96 | VCC | BURN MODE |

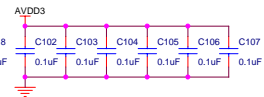
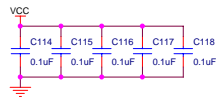
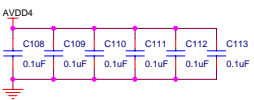
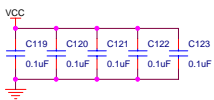
| | | | | | | | | | |
|-----------------|---------|------|-----|-----|---------|------|------|-----|-------------------|
| TX/FX(1:0) | FDXLED1 | 4.7K | R81 | VCC | FDXLED3 | 4.7K | R82 | VCC | FDX EN/DIS(1:0) |
| CIM DIS/EN(1:0) | LNKLED1 | 4.7K | R85 | VCC | LNKLED3 | 4.7K | R86 | VCC | RPT DIS/EN(1:0) |
| TP 1/1.25(1:0) | SPDLED1 | 4.7K | R89 | VCC | SPDLED3 | 4.7K | R90 | VCC | 100M EN/DIS(1:0) |
| PHY ID4 | FDXLED2 | 4.7K | R93 | GND | FDXLED4 | 4.7K | R94 | VCC | SCRAM EN/DIS(1:0) |
| PHY ID3 | LNKLED2 | 4.7K | R97 | GND | LNKLED4 | 4.7K | R98 | VCC | AUTO EN/DIS(1:0) |
| PHY ID2 | SPDLED2 | 4.7K | R99 | GND | SPDLED4 | 4.7K | R100 | VCC | BURN MODE |



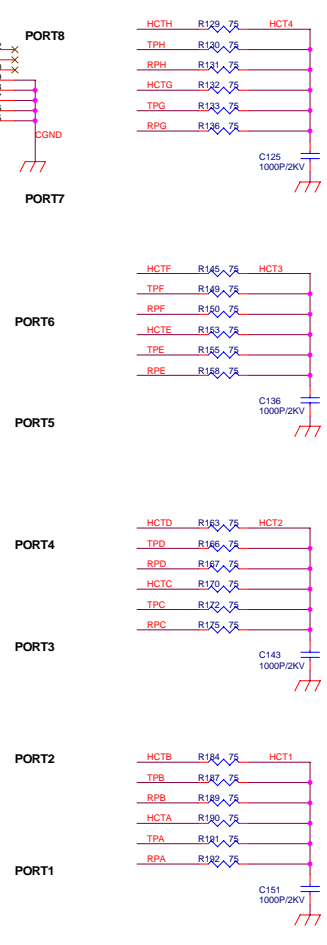
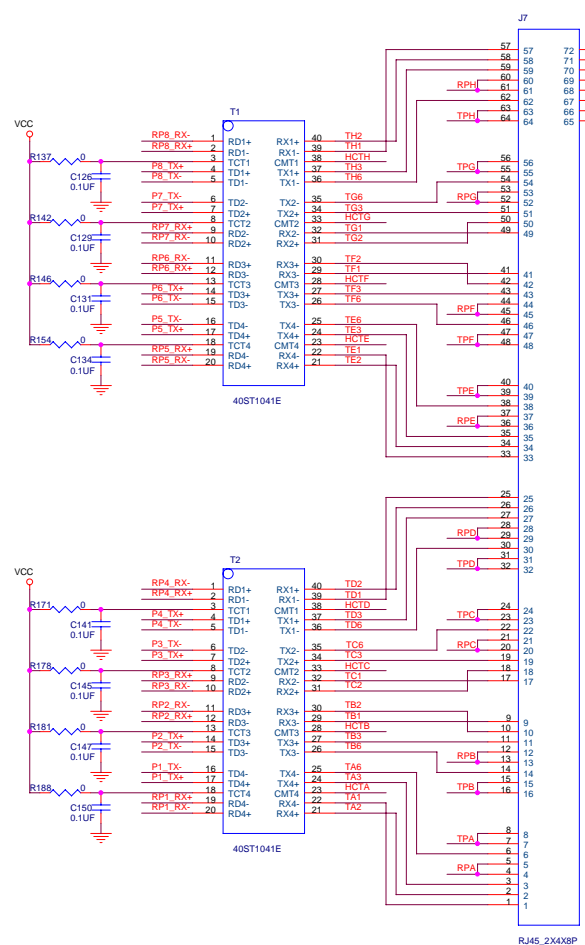
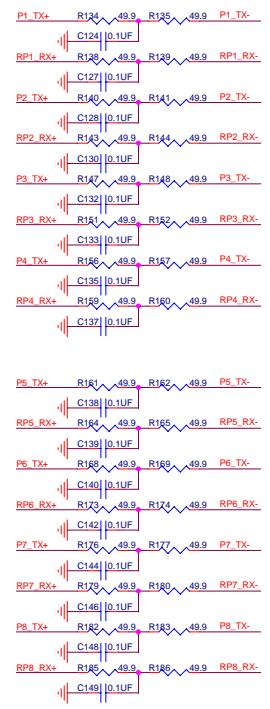


| | | | | | | | |
|-----------------|----------|------|----------|----------|------|---------|-------------------|
| TX/FX(1:0) | FDXLED13 | 4.7K | R107/CC | FDXLED15 | 4.7K | R108/CC | FDX EN/DIS(1:0) |
| CIM DIS/EN(1:0) | LNKLED13 | 4.7K | R111/CC | LNKLED15 | 4.7K | R112/CC | RPT DIS/EN(1:0) |
| TP 1/1.25(1:0) | SPDLED13 | 4.7K | R119/CC | SPDLED15 | 4.7K | R118/CC | 100M EN/DIS(1:0) |
| PHY ID4 | FDXLED14 | 4.7K | R119/GND | FDXLED16 | 4.7K | R120/CC | SCRAM EN/DIS(1:0) |
| PHY ID3 | LNKLED14 | 4.7K | R123/CC | LNKLED16 | 4.7K | R124/CC | AUTO EN/DIS(1:0) |
| PHY ID2 | SPDLED14 | 4.7K | R127/CC | SPDLED16 | 4.7K | R128/CC | BURN MODE |

| | | | | | | | |
|-----------------|----------|------|----------|----------|------|---------|-------------------|
| TX/FX(1:0) | FDXLED9 | 4.7K | R109/CC | FDXLED11 | 4.7K | R108/CC | FDX EN/DIS(1:0) |
| CIM DIS/EN(1:0) | LNKLED9 | 4.7K | R109/CC | LNKLED11 | 4.7K | R110/CC | RPT DIS/EN(1:0) |
| TP 1/1.25(1:0) | SPDLED9 | 4.7K | R113/CC | SPDLED11 | 4.7K | R114/CC | 100M EN/DIS(1:0) |
| PHY ID4 | FDXLED10 | 4.7K | R117/GND | FDXLED12 | 4.7K | R118/CC | SCRAM EN/DIS(1:0) |
| PHY ID3 | LNKLED10 | 4.7K | R121/CC | LNKLED12 | 4.7K | R122/CC | AUTO EN/DIS(1:0) |
| PHY ID2 | SPDLED10 | 4.7K | R125/GND | SPDLED12 | 4.7K | R126/CC | BURN MODE |



P1_TX+ <-> P1_TX-
 P1_TX+ <-> P1_TX-
 PR1_RX+ <-> RP1_RX+
 PR1_RX+ <-> RP1_RX-
 P2_TX+ <-> P2_TX-
 P2_TX+ <-> P2_TX-
 PR2_RX+ <-> RP2_RX+
 PR2_RX+ <-> RP2_RX-
 P3_TX+ <-> P3_TX-
 P3_TX+ <-> P3_TX-
 PR3_RX+ <-> RP3_RX+
 PR3_RX+ <-> RP3_RX-
 P4_TX+ <-> P4_TX-
 P4_TX+ <-> P4_TX-
 PR4_RX+ <-> RP4_RX+
 PR4_RX+ <-> RP4_RX-
 P5_TX+ <-> P5_TX-
 P5_TX+ <-> P5_TX-
 PR5_RX+ <-> RP5_RX+
 PR5_RX+ <-> RP5_RX-
 P6_TX+ <-> P6_TX-
 P6_TX+ <-> P6_TX-
 PR6_RX+ <-> RP6_RX+
 PR6_RX+ <-> RP6_RX-
 P7_TX+ <-> P7_TX-
 P7_TX+ <-> P7_TX-
 PR7_RX+ <-> RP7_RX+
 PR7_RX+ <-> RP7_RX-
 P8_TX+ <-> P8_TX-
 P8_TX+ <-> P8_TX-
 PR8_RX+ <-> RP8_RX+
 PR8_RX+ <-> RP8_RX-



| | | | |
|------------------------|-----------------------|-------|--------|
| DESIGNED BY:ZHUZHENFEI | | | |
| File | RJ-45 1-8 Port | | |
| Size | Document Number | Rev | A1 |
| | 水星S116 | | |
| Date | Monday, June 25, 2001 | Sheet | 6 of 7 |

