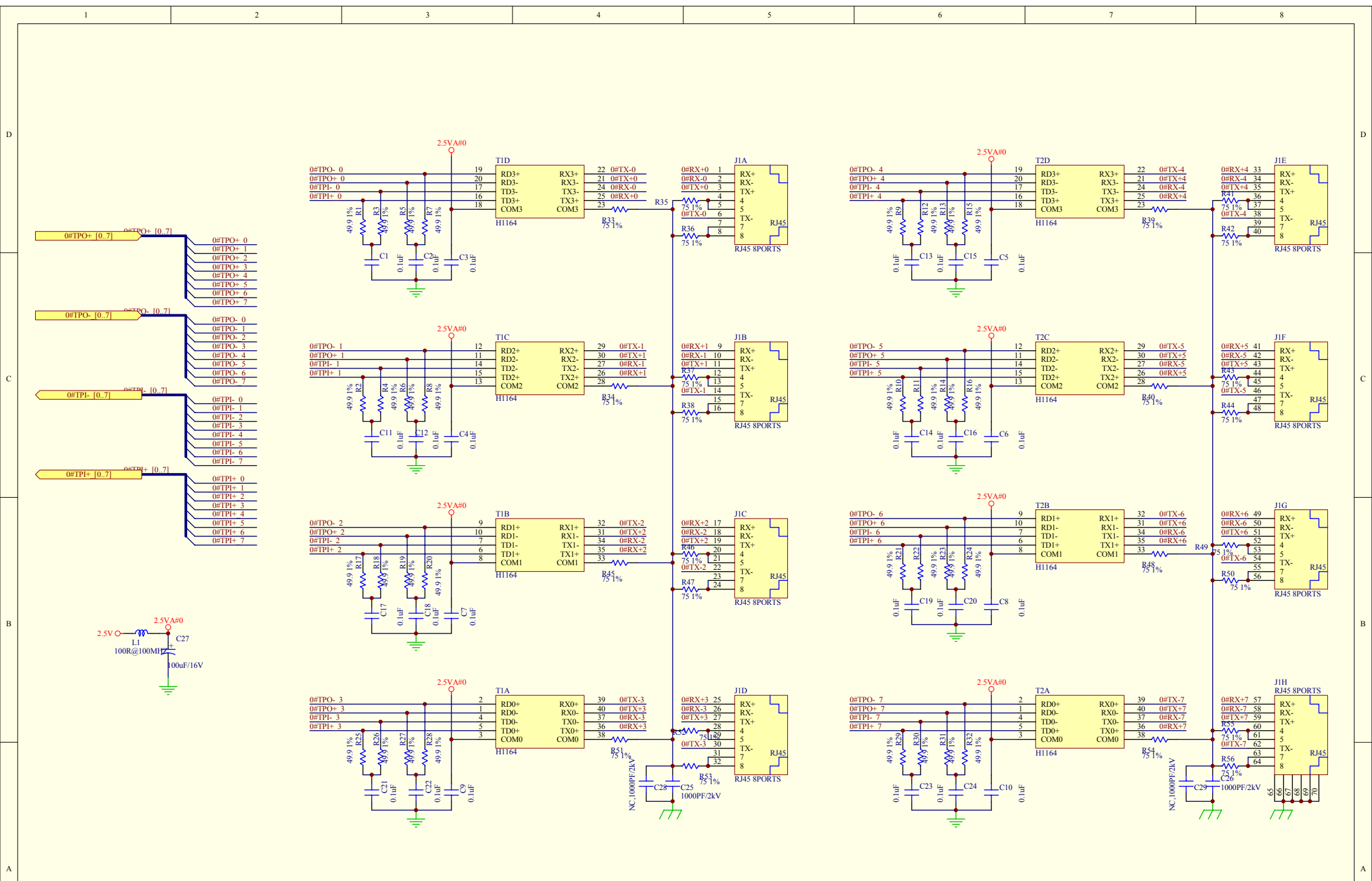
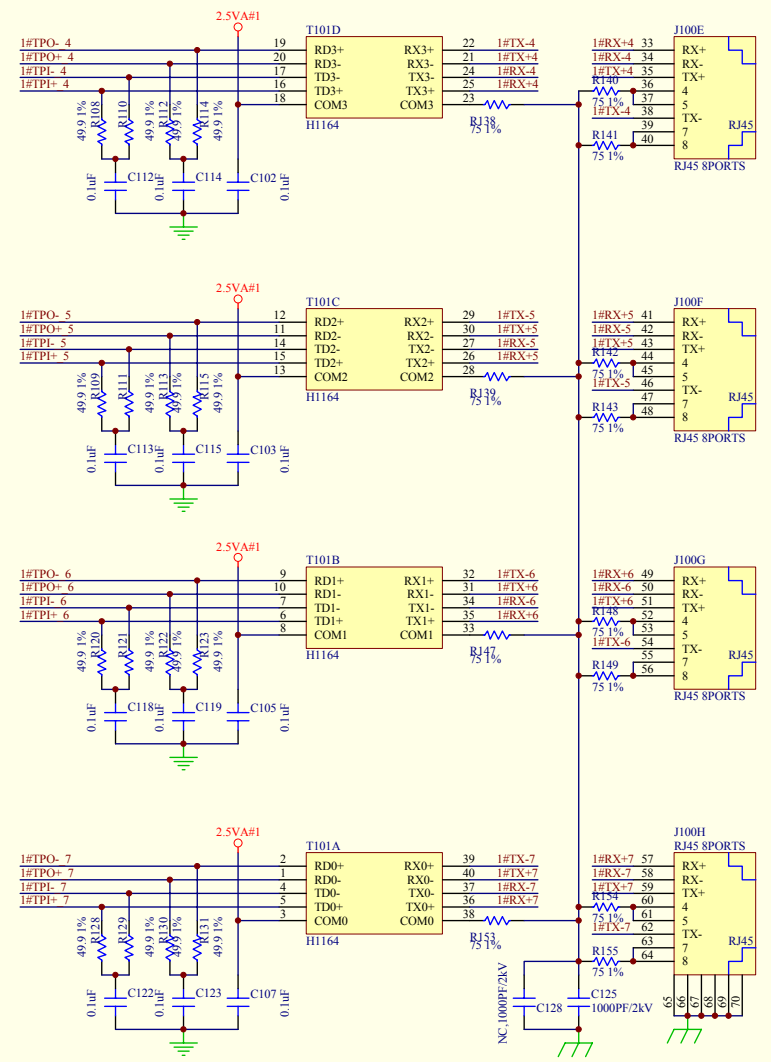
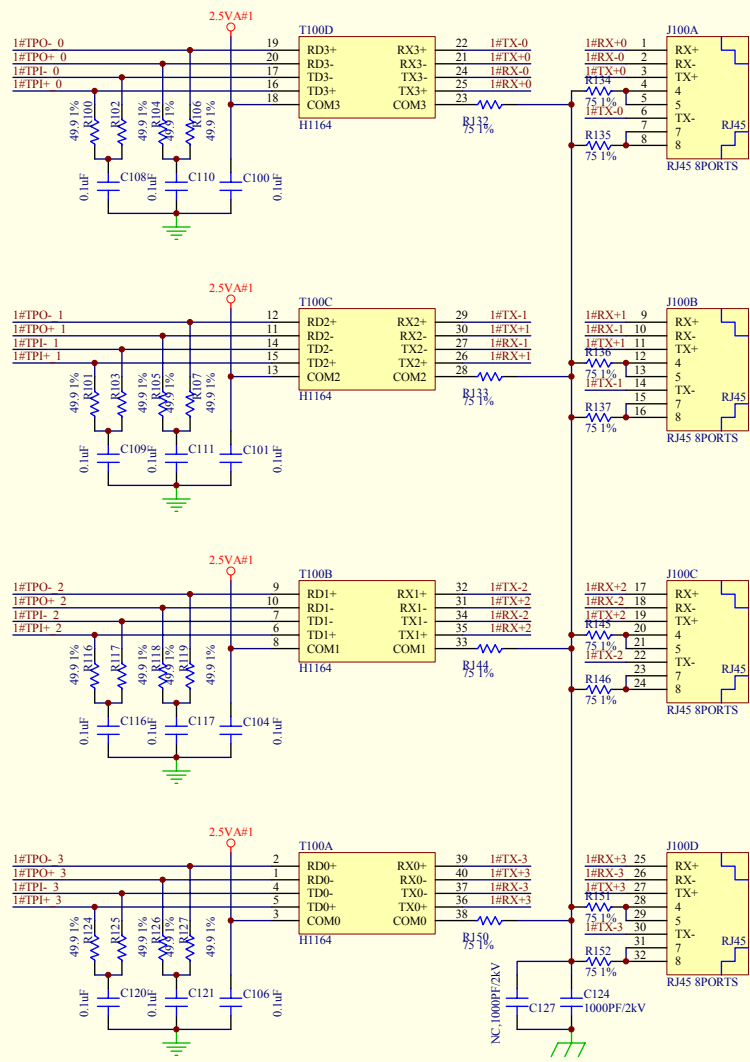
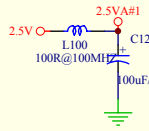
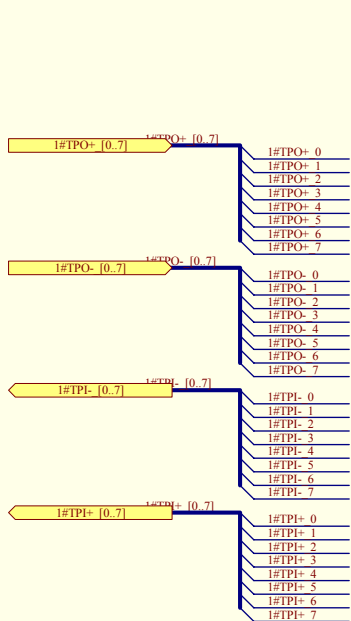
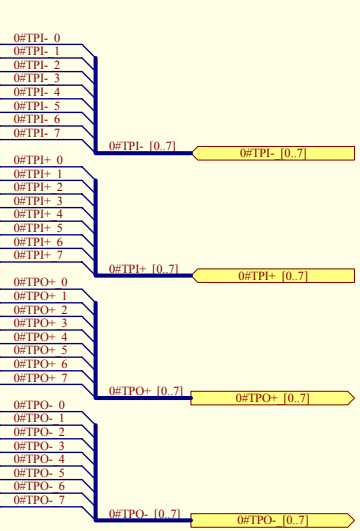
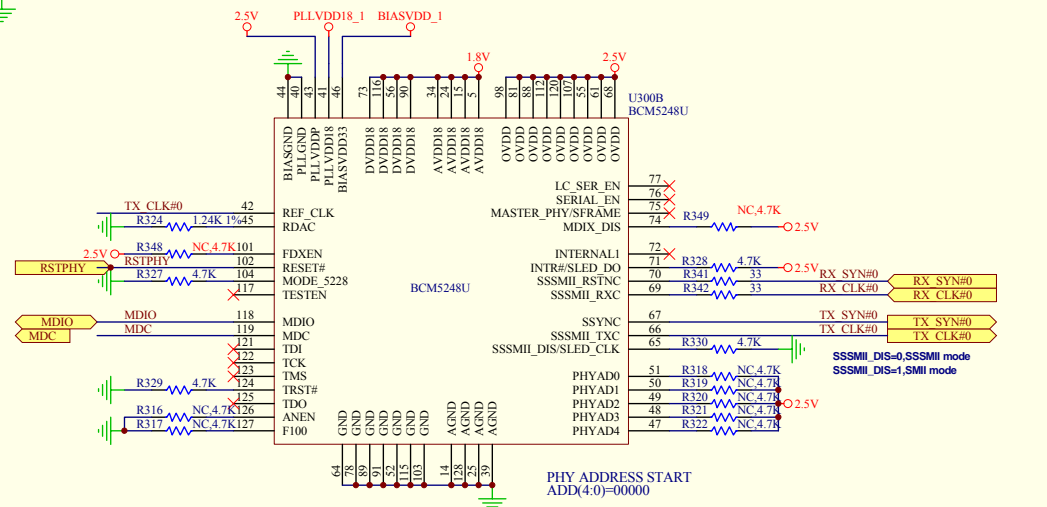
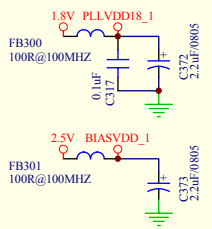
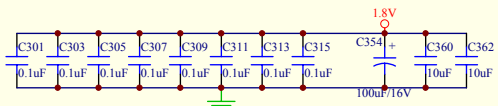
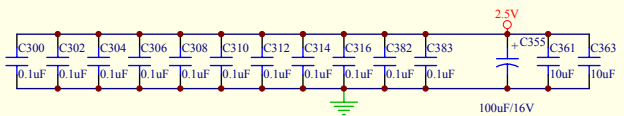
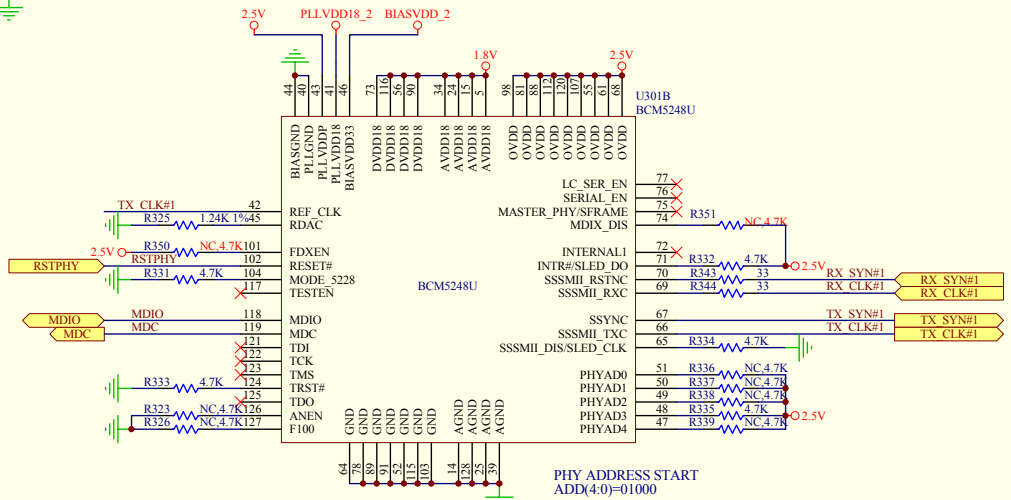
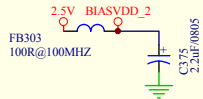
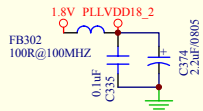
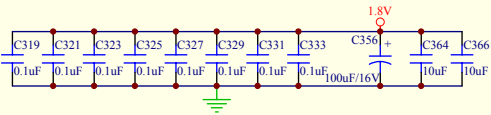
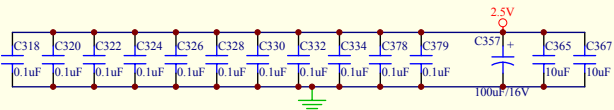


Title				<b>TCL Communication Equipment Co., LTD</b>			
Size	Number	<b>S4116_B4</b>		Revision	<b>Rev1.0</b>		
Date				Sheet of	<b>1 OF 7</b>		
File:							

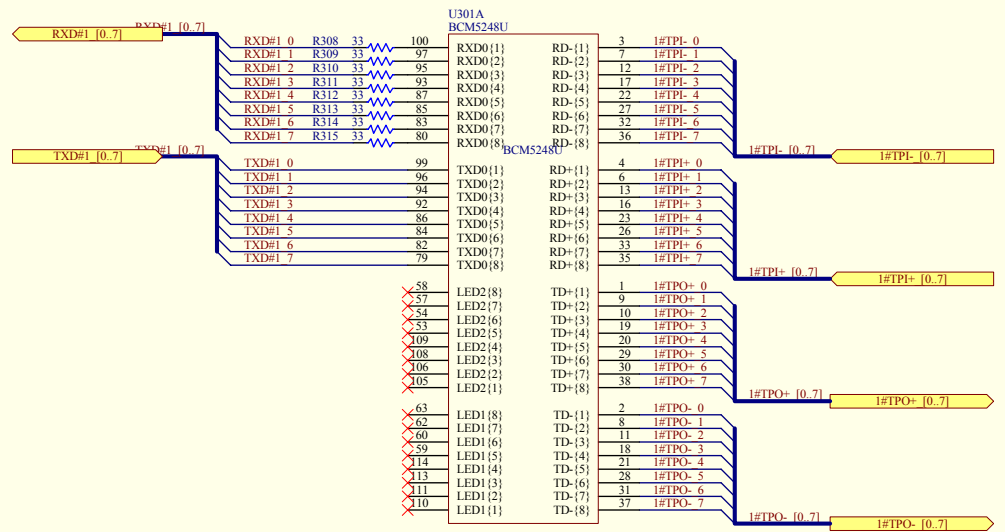


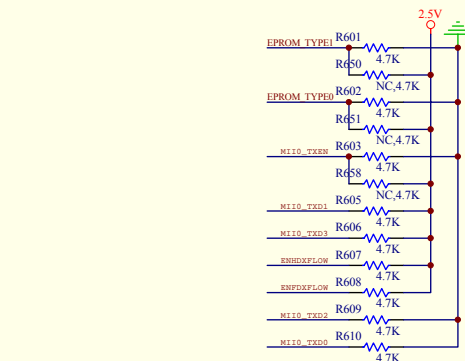
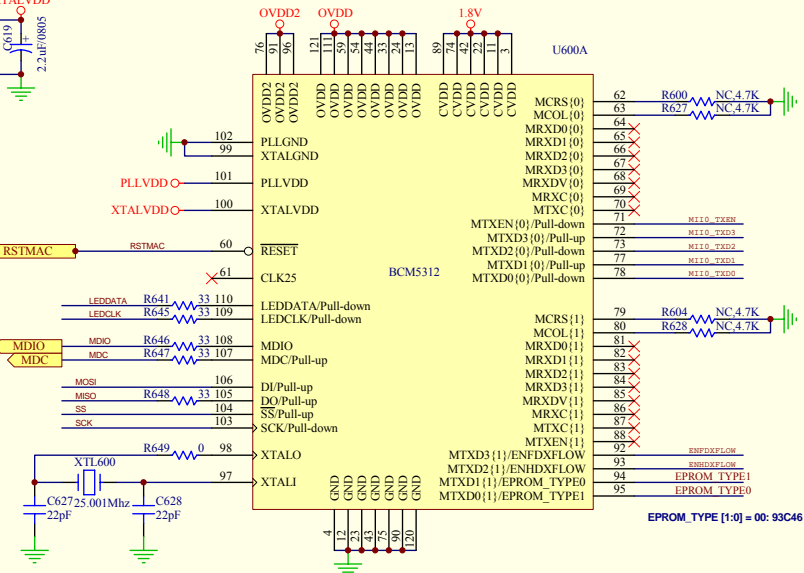
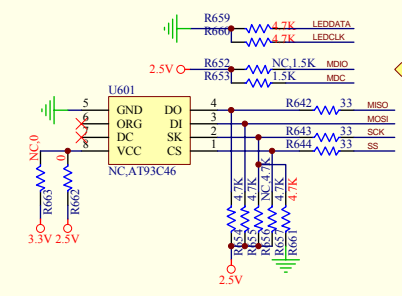
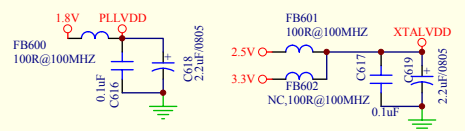
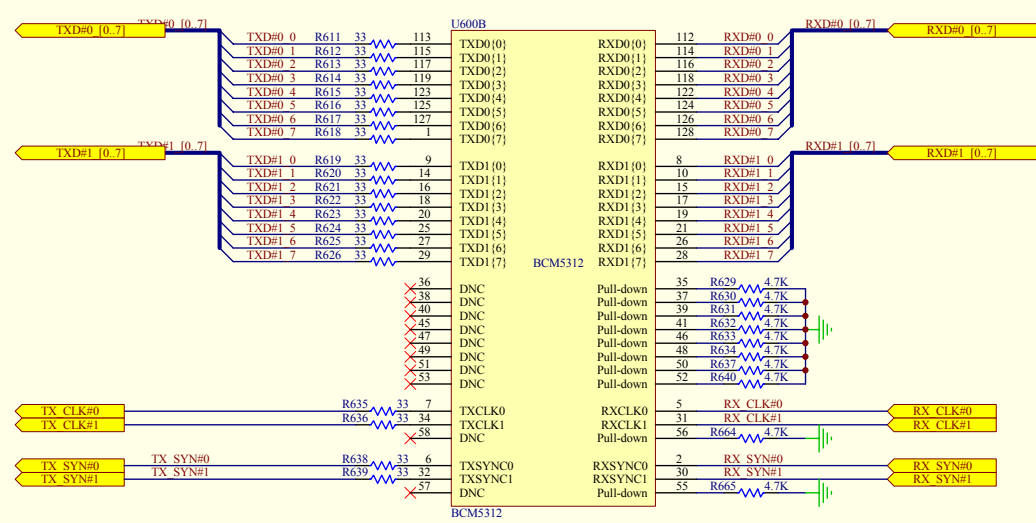
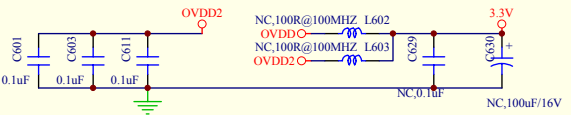
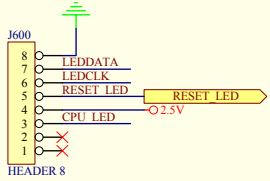
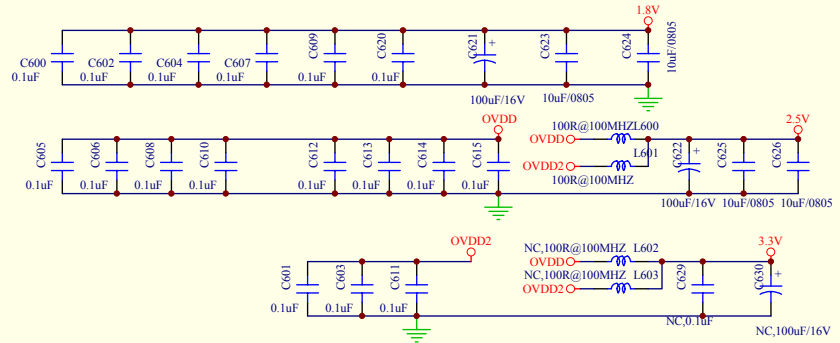


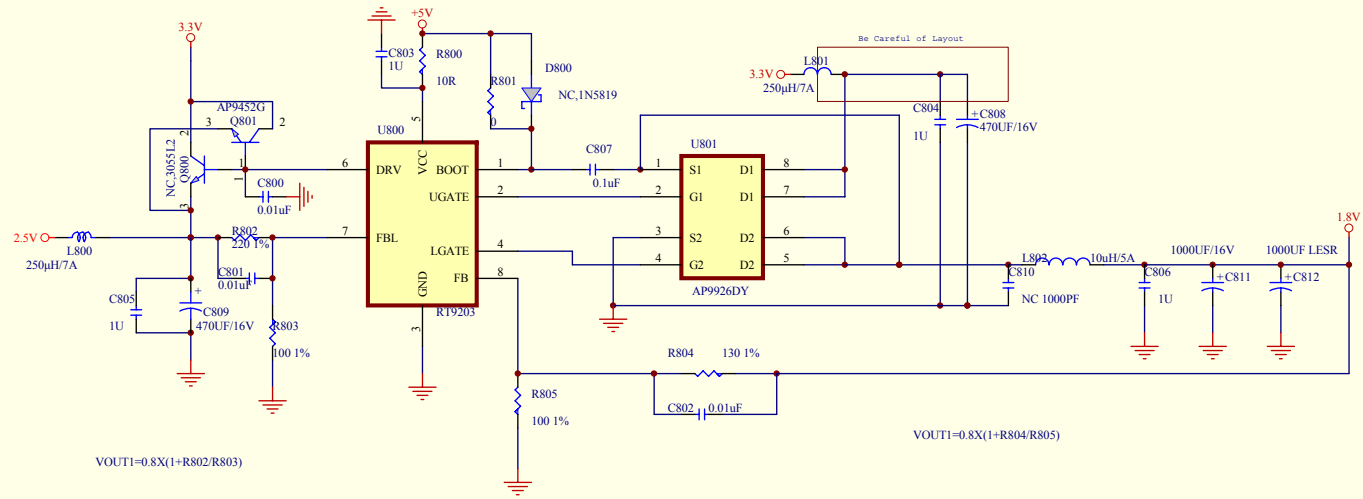
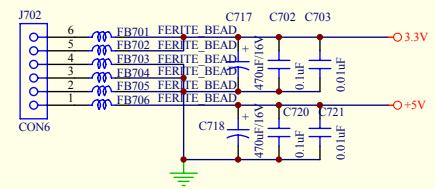
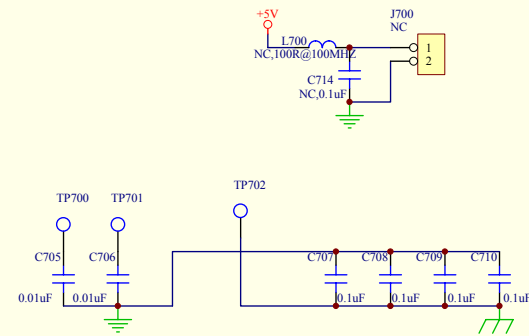
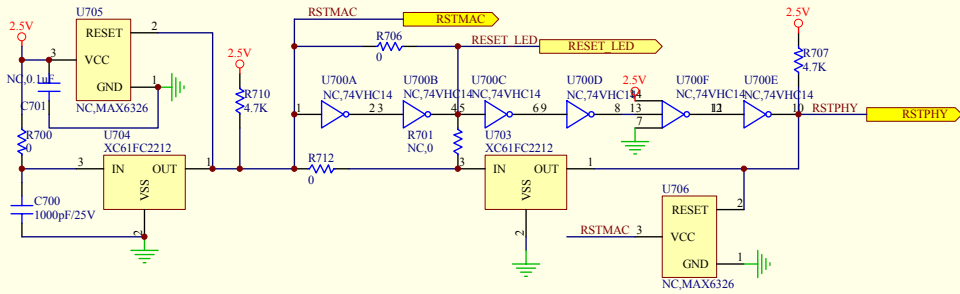


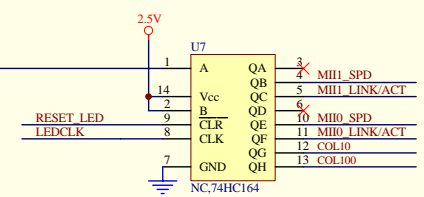
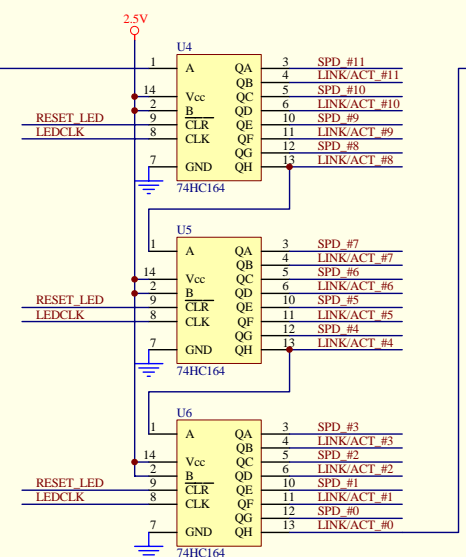
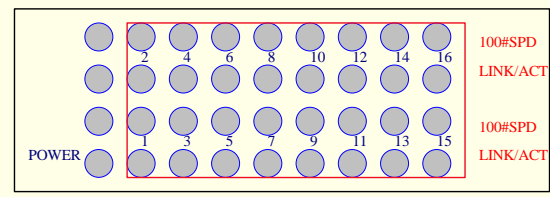
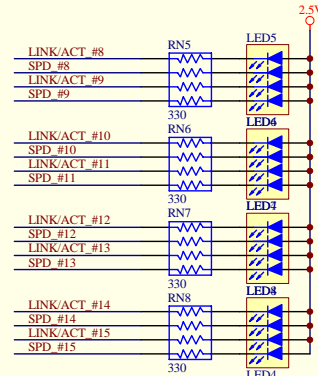
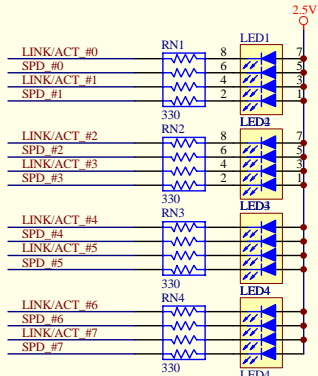
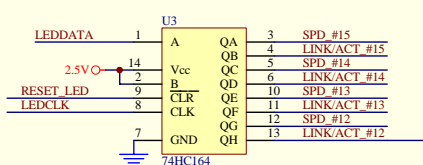
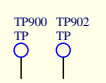
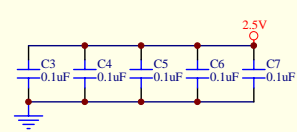
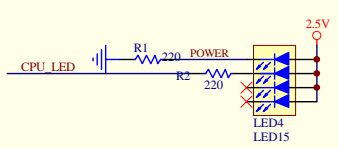
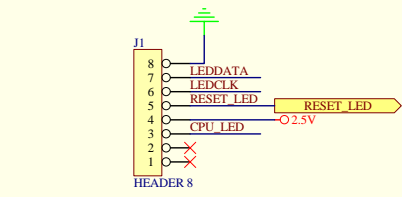


PHY ADDRESS START  
ADD(4:0)=01000









Title		
Size	Number	Revision
B		
Date:	30-Nov-2009	Sheet of
File:	J:\Products\以太网交换机\S4116\S4116	8B/30/0/B/B