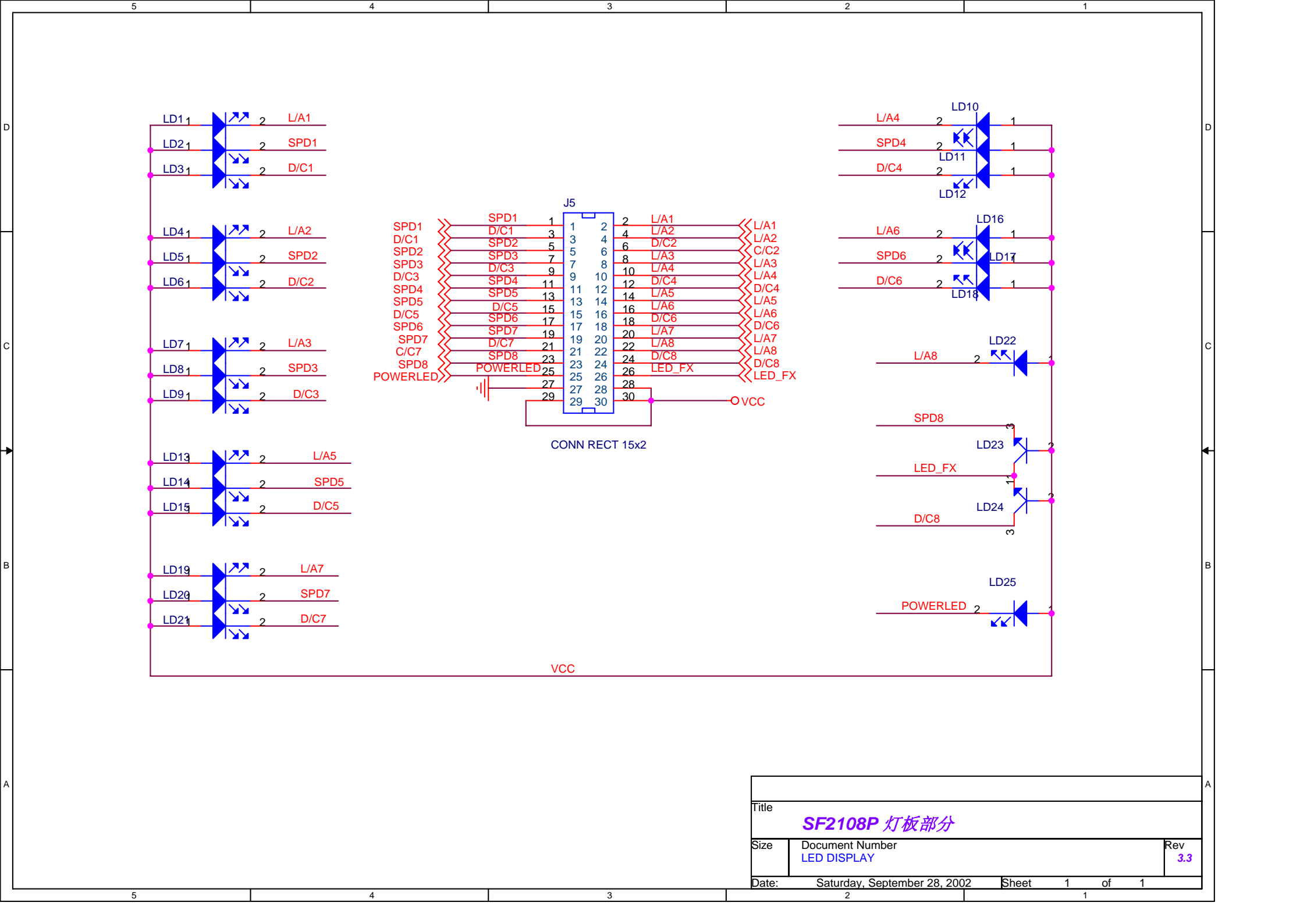


**TP-Link**

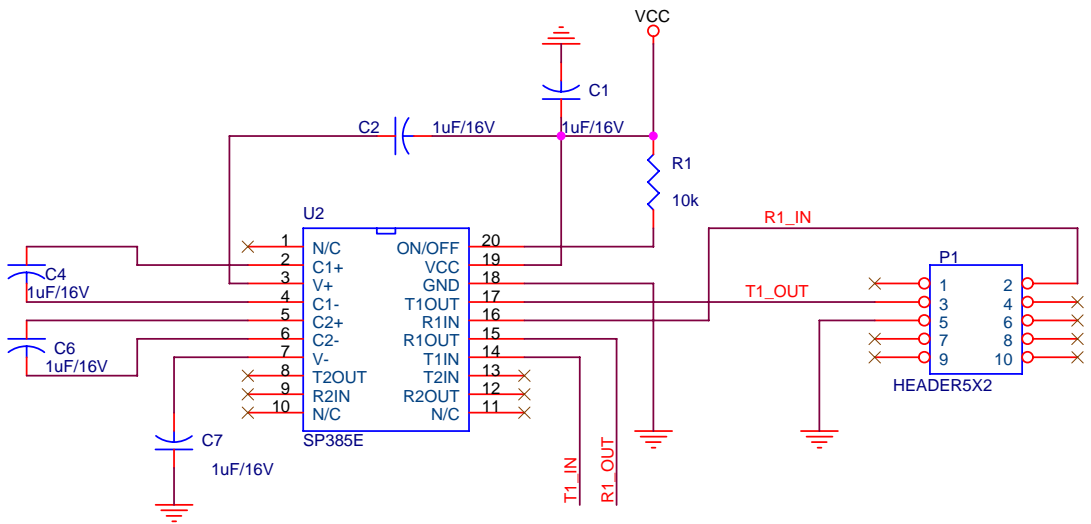
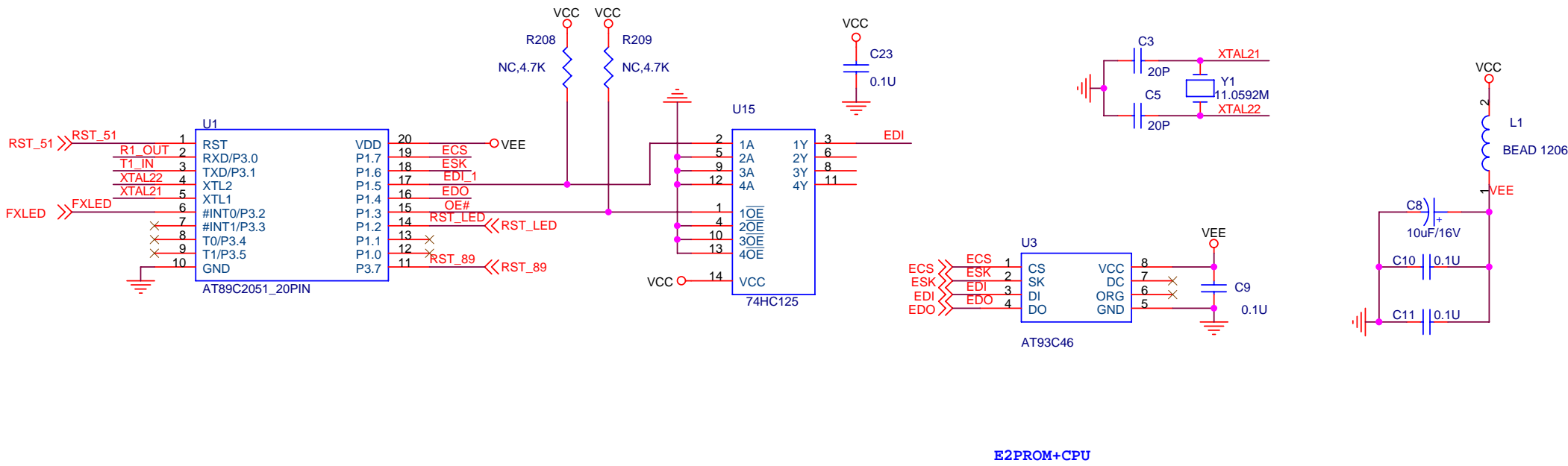
Title: **SF2108P主板部分**

Size	Document Number	Rev
P	AT8989P-FIBER	3.3

Date: Saturday, September 28, 2002 Sheet 1 of 5

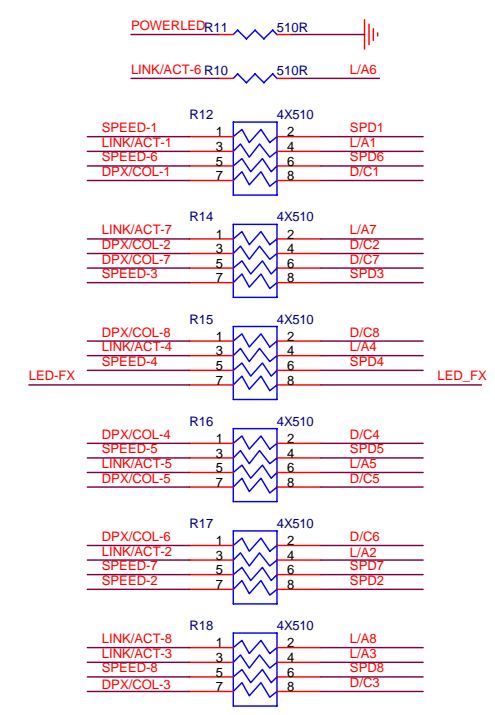
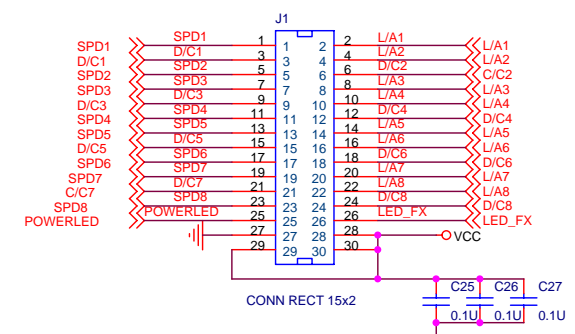
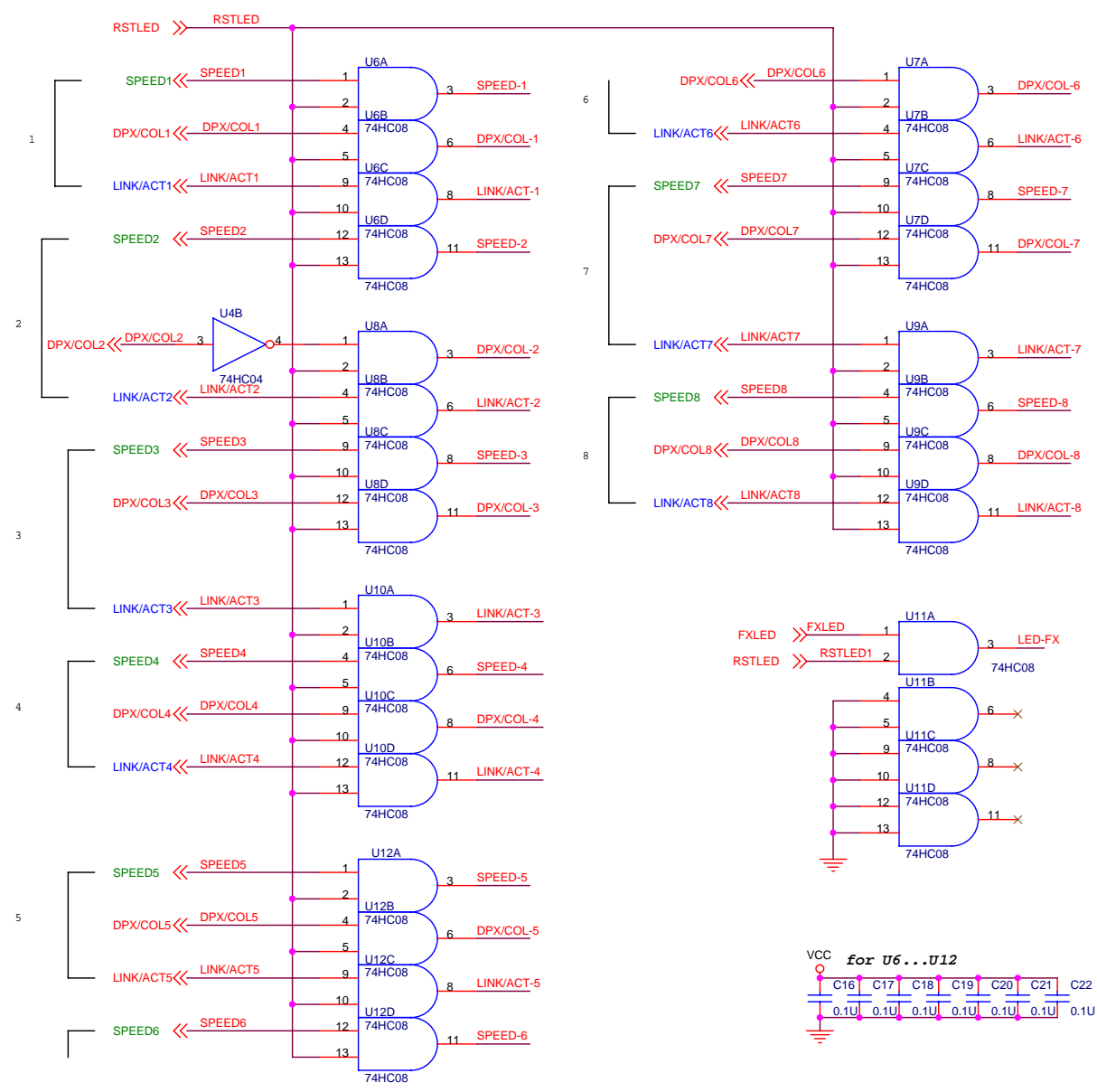


Title		
SF2108P 灯板部分		
Size	Document Number	Rev
	LED DISPLAY	3.3
Date:	Saturday, September 28, 2002	Sheet 1 of 1

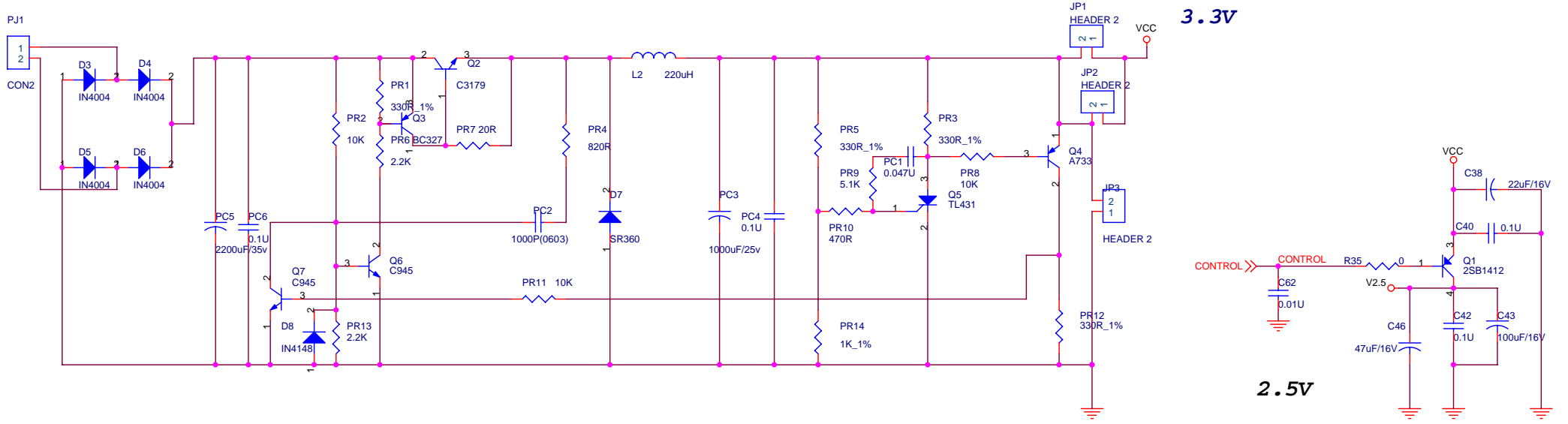


<b>TP-Link</b>		
Title		
<b>SF2108P 主板部分</b>		
Size	Document Number	Rev
Custom	E2PROM+CPU+CONSOLE	3.3
Date:	Saturday, September 28, 2002	Sheet 2 of 5

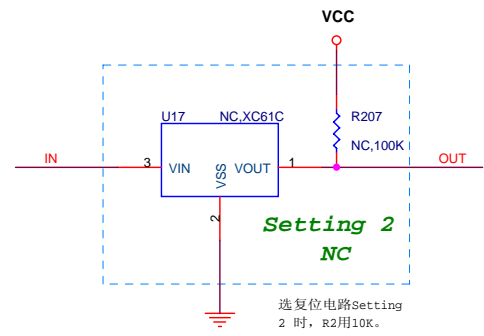
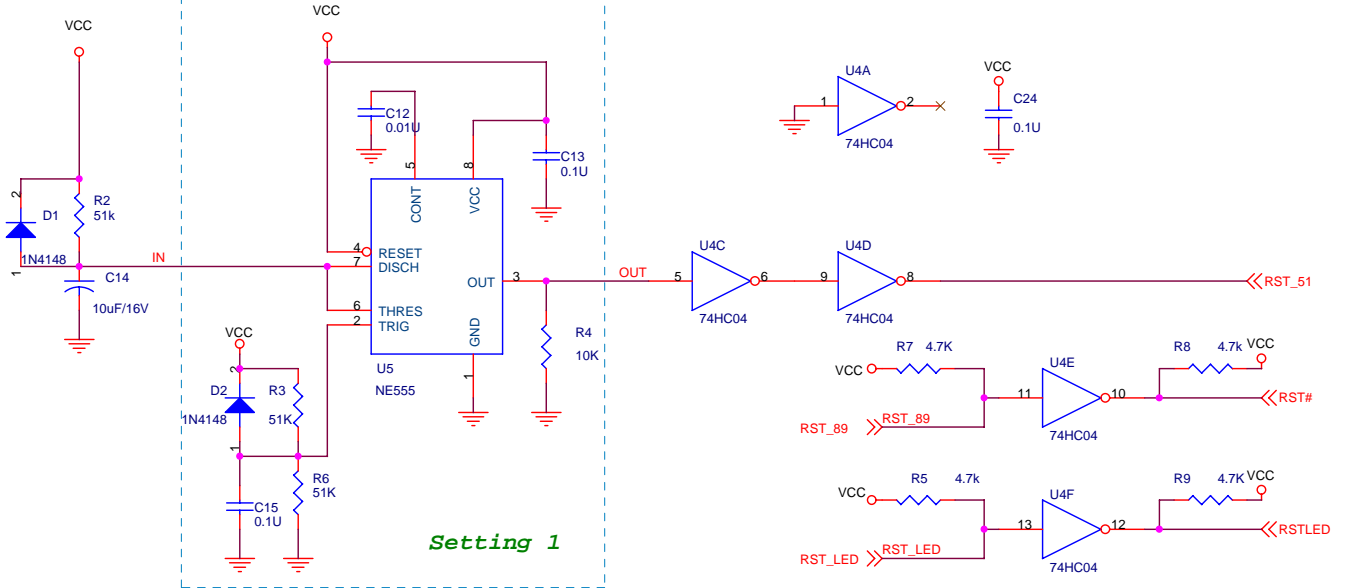




<b>TP-Link</b>		
Title		
<b>SF2108P主板部分</b>		
Size	Document Number	Rev
	LED	3.3
Date:	Saturday, September 28, 2002	Sheet 4 of 5



**RESET**



<b>TP-Link</b>		
Title <b>SF2108P 主板部分</b>		
Size B	Document Number <b>POWER+RESET</b>	Rev <b>3.3</b>
Date:	Saturday, September 28, 2002	Sheet 5 of 5