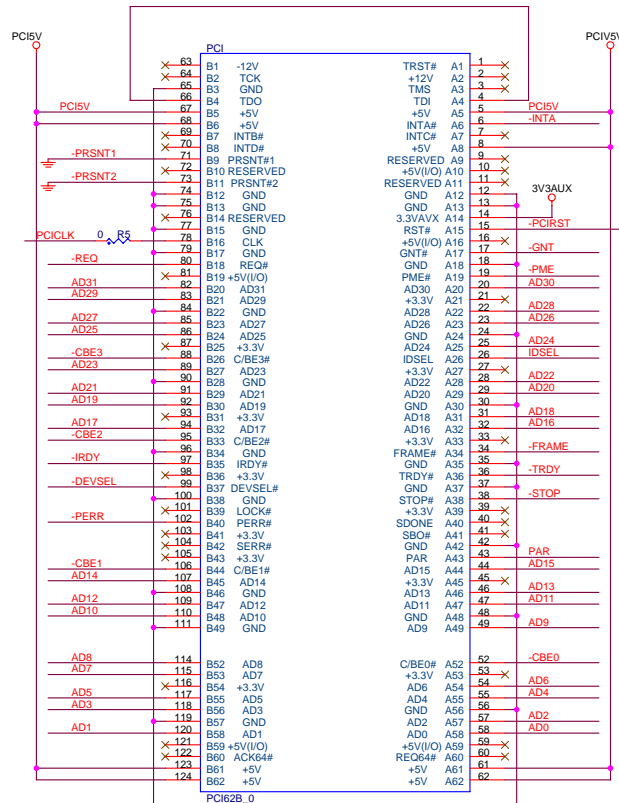
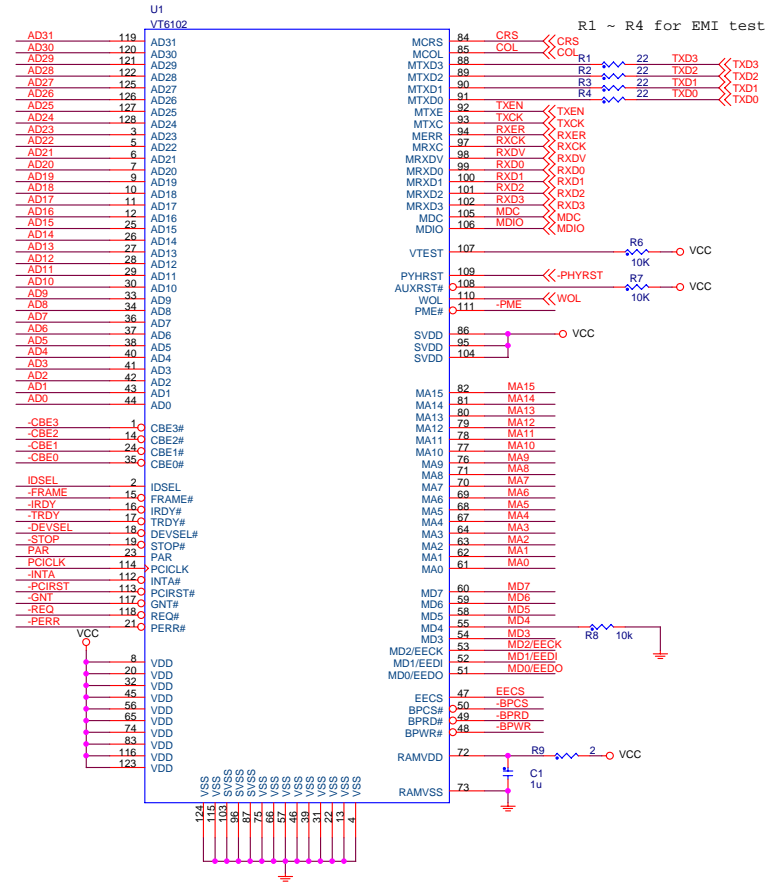


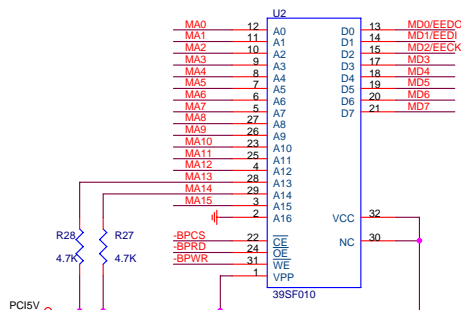
5V PCI Connector



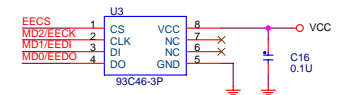
MAC Controller



BOOTROM



EEPROM



VDD DECOUPLING FOR VT6102

