

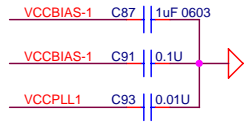
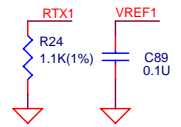
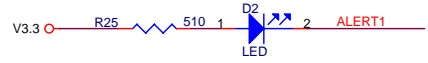
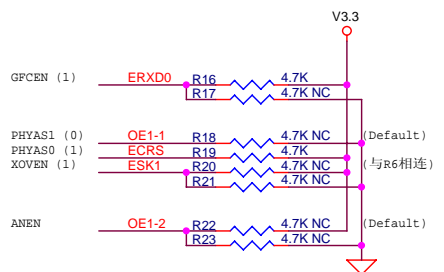
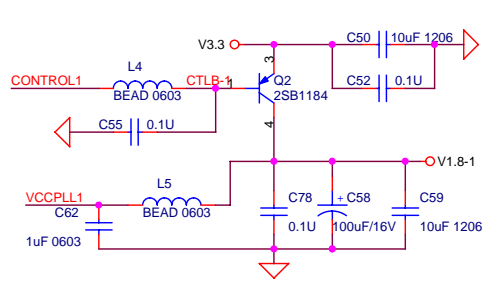
TP-Link TECHNOLOGY

ADM6999U-Master

Size	Document Number	Rev
B	TL-SF2116P	1.0

Date: Monday, December 09, 2002 Sheet 1 of 8

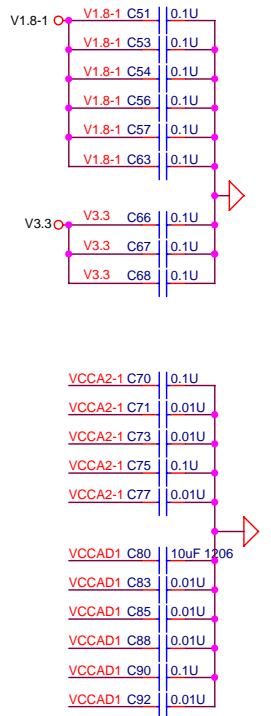
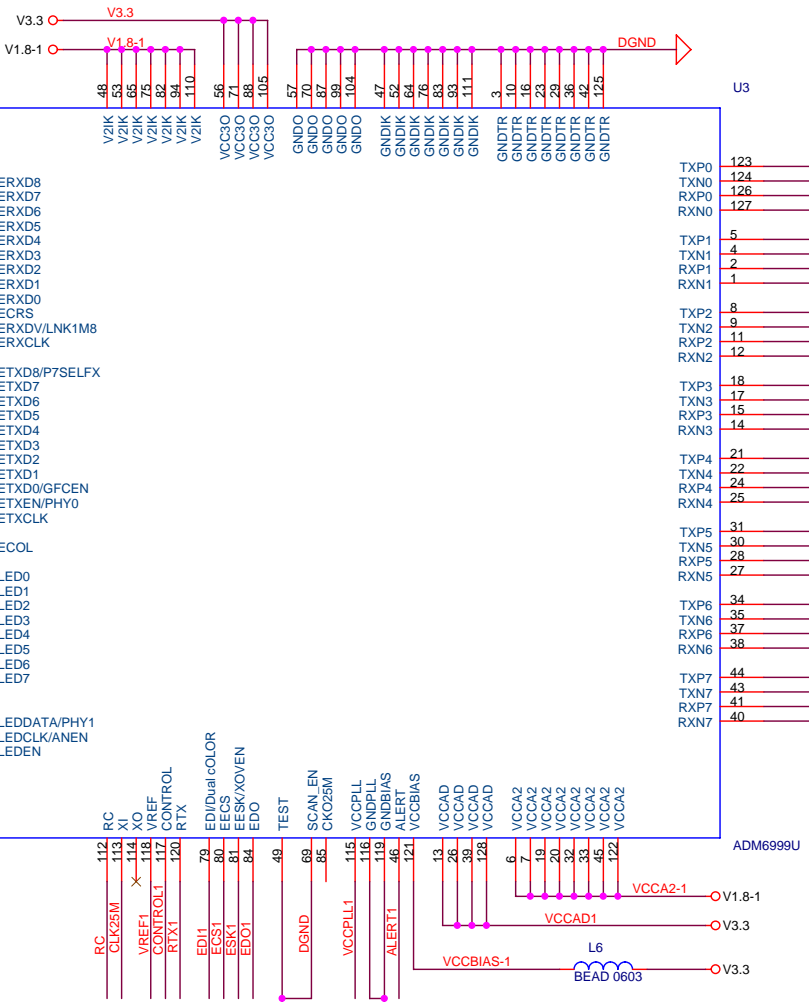
MASTER



- [1] ETXD8
- [1] ETXD7
- [1] ETXD6
- [1] ETXD5
- [1] ETXD4
- [1] ETXD3
- [1] ETXD2
- [1] ETXD1
- [1] ETXD0
- [1] ETXEN
- [1] ETXCLK
- [1,6] ERXD8
- [1] ERXD7
- [1] ERXD6
- [1] ERXD5
- [1] ERXD4
- [1] ERXD3
- [1] ERXD2
- [1] ERXD1
- [1] ERXD0
- [1] ECRS
- [1] ERXDV/LNK1M8
- [1] ERXCLK
- [1] ECOL
- [8] LED1-0
- [8] LED1-1
- [8] LED1-2
- [8] LED1-3
- [8] LED1-4
- [8] LED1-5
- [8] LED1-6
- [8] LED1-7
- [8] OE1-1
- [8] OE1-2
- [8] OE1-0

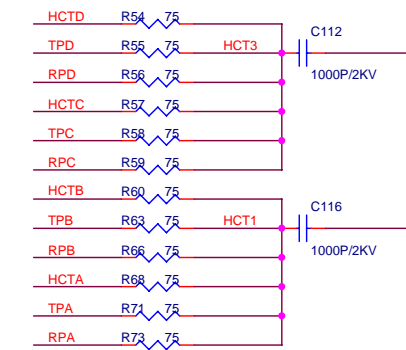
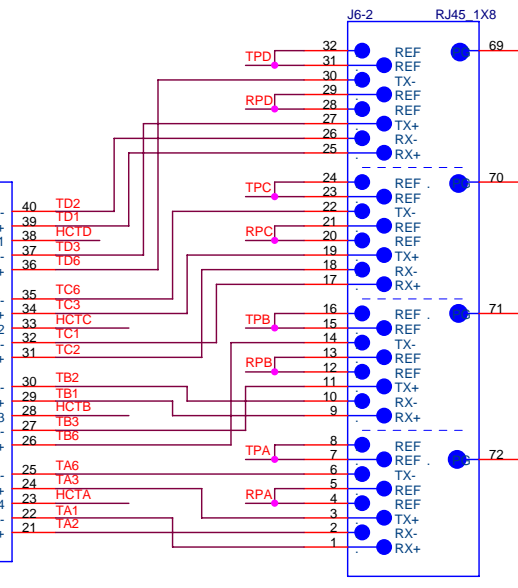
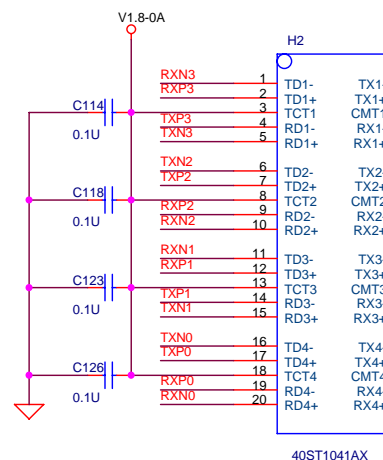
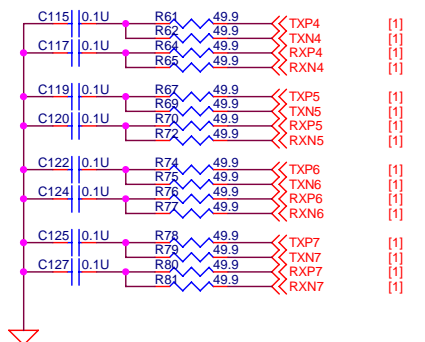
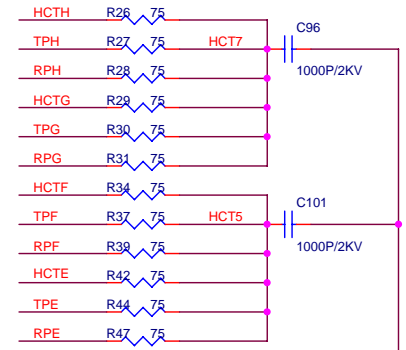
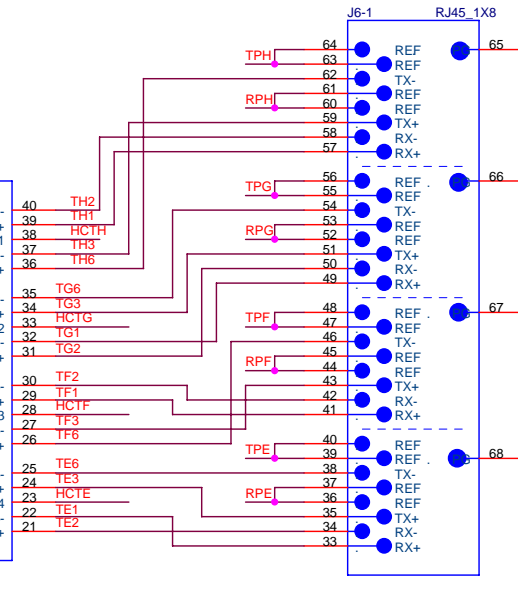
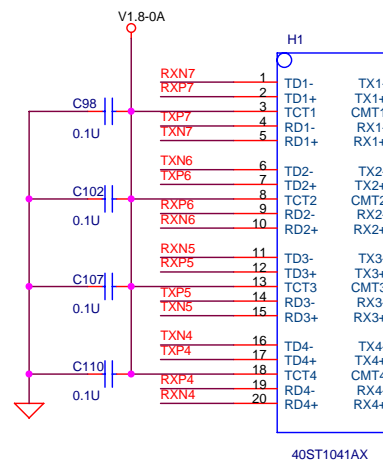
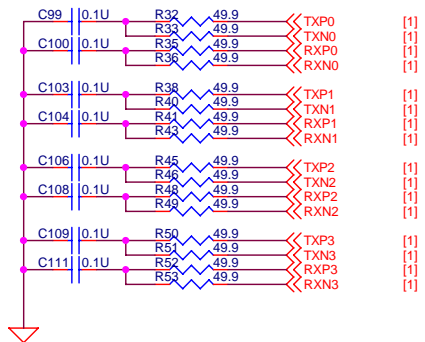
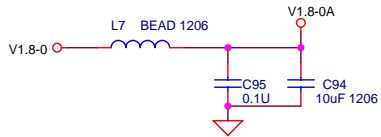
- [1,7] EDO1
- [1,7] EDI1
- [1,7] ESK1
- [1,7] ECS1

- [1,5,7] RC CLK25M
- [1] RC CLK25M

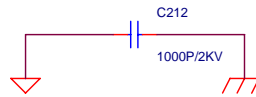
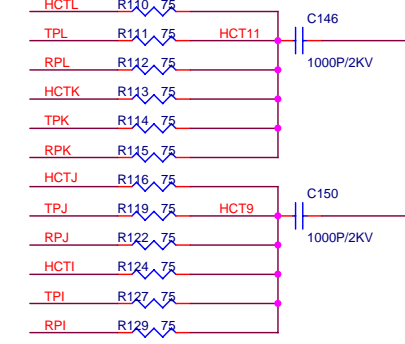
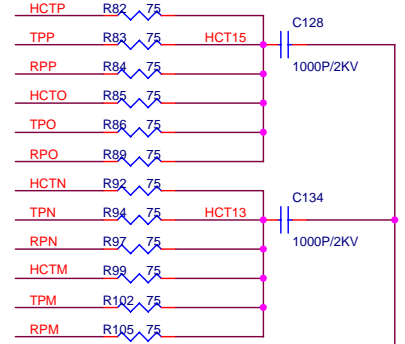
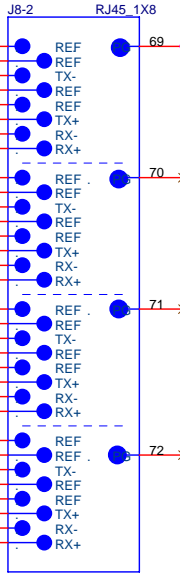
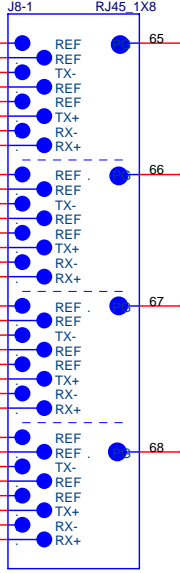
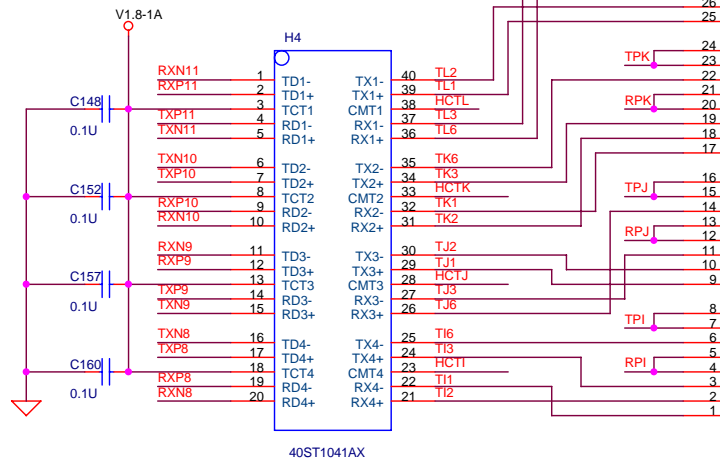
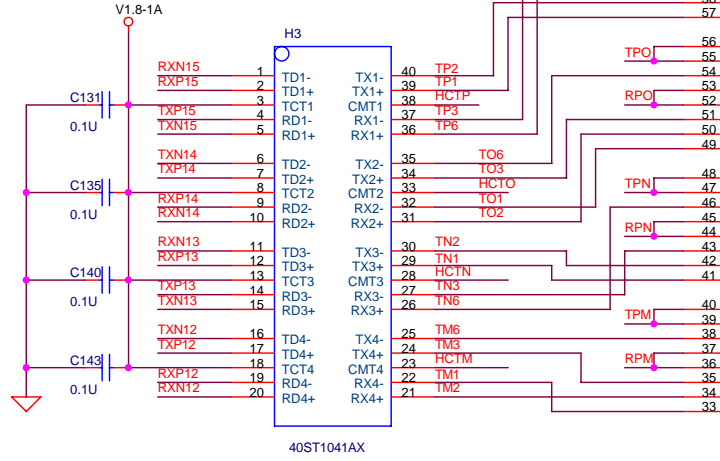
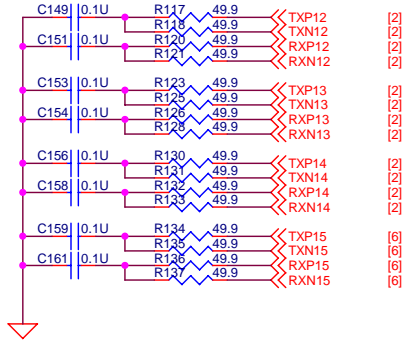
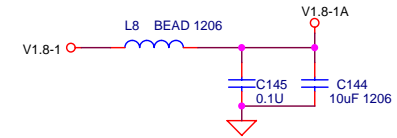
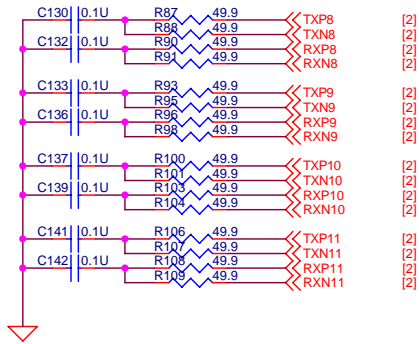


SLAVE

TP-Link TECHNOLOGY		
Title ADM6999U-Slave		
Size B	Document Number TL-SF2116P	Rev 1.0
Date:	Monday, December 09, 2002	Sheet 2 of 8

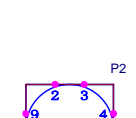
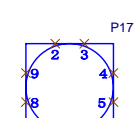
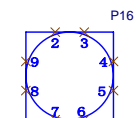
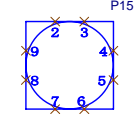
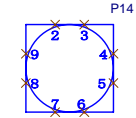


TP-Link TECHNOLOGY		
Title RJ45-0-7		
Size B	Document Number TL-SF2116P	Rev 1.0
Date: Monday, December 09, 2002	Sheet 3	of 8

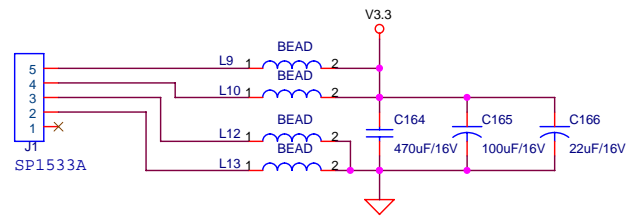
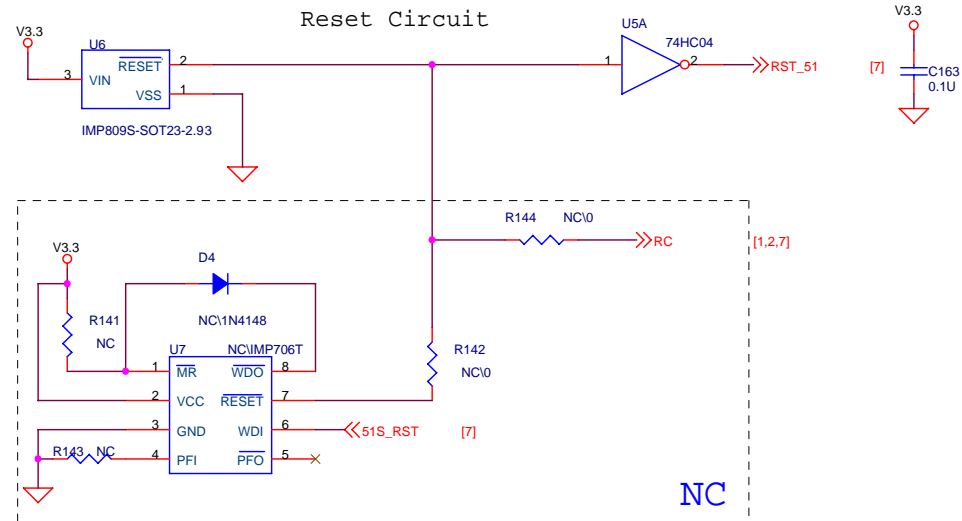


四层板, 螺丝孔用part
Decal:MM3.5\L4

GND与靠近第16口螺丝孔连接

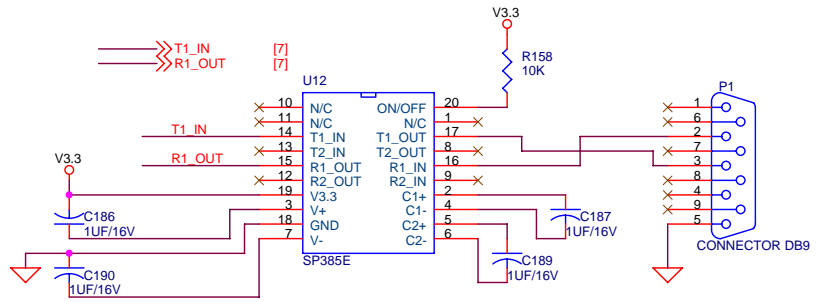
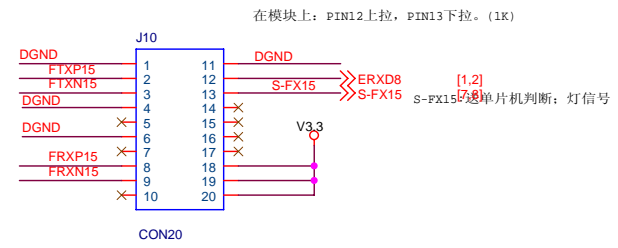
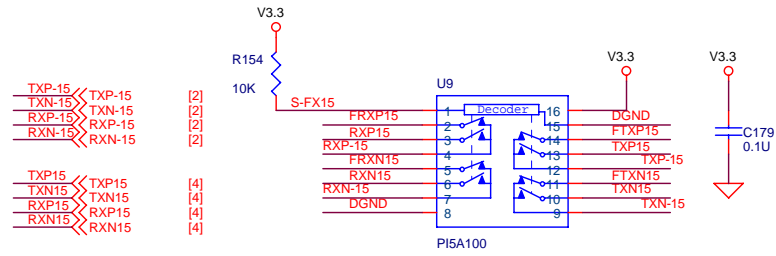


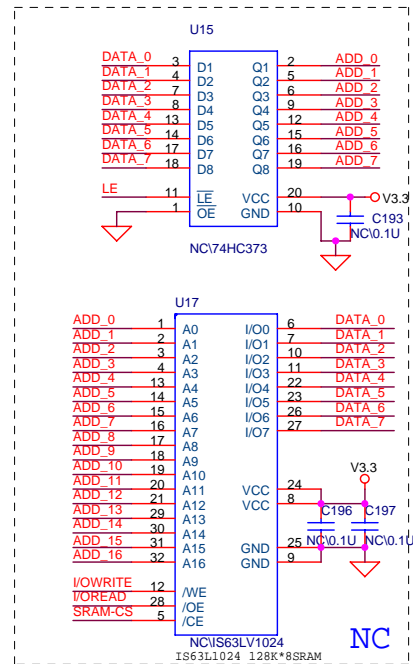
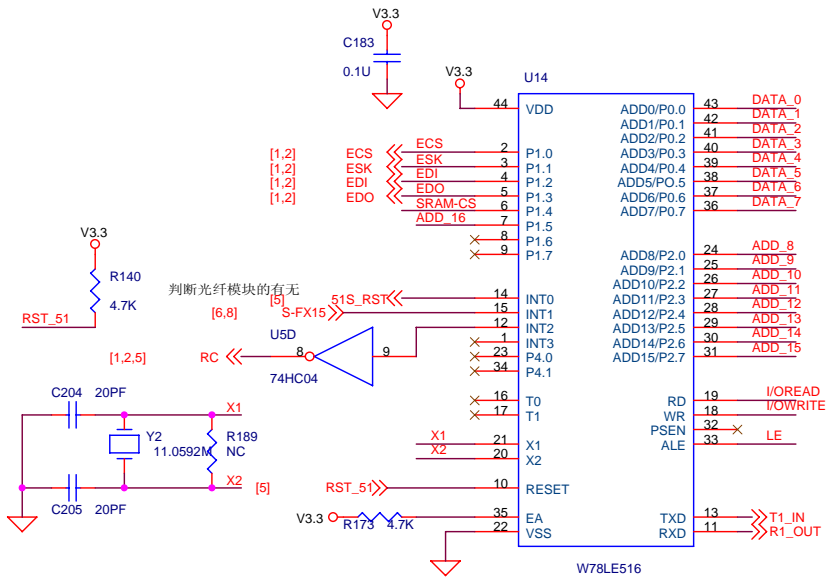
TP-Link TECHNOLOGY		
Title RJ45-8-15		
Size B	Document Number TL-SF2116P	Rev 1.0
Date: Monday, December 09, 2002	Sheet 4	of 8



TP-Link TECHNOLOGY

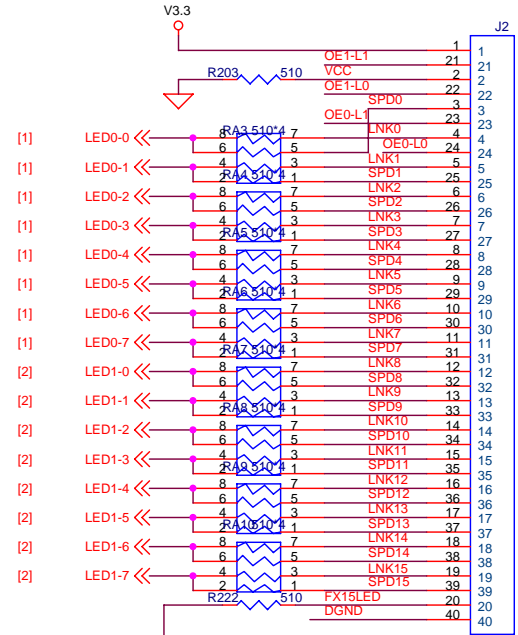
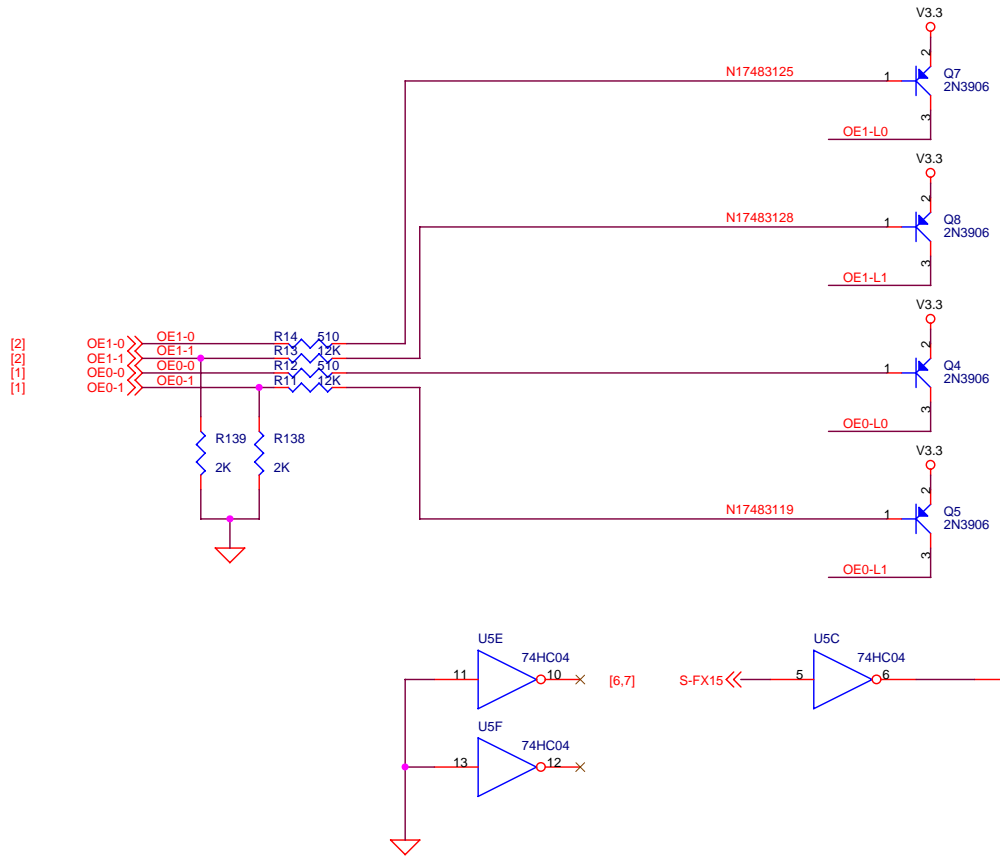
Title		
POWER & RESET		
Size B	Document Number	Rev 1.0
TL-SF2116P		
Date: Monday, December 09, 2002	Sheet 5 of 8	

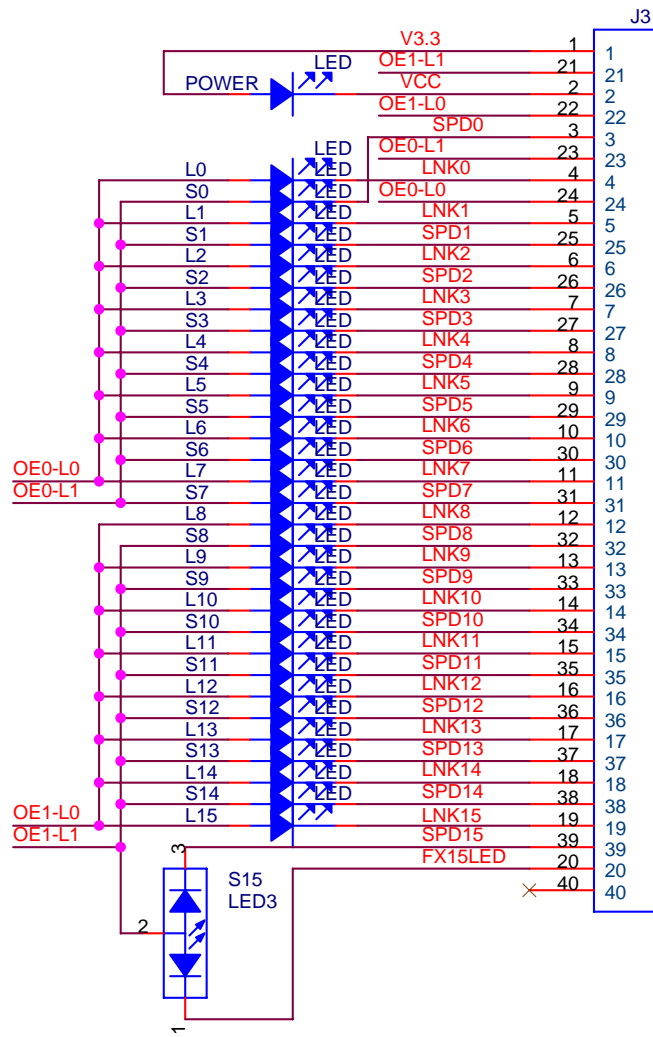




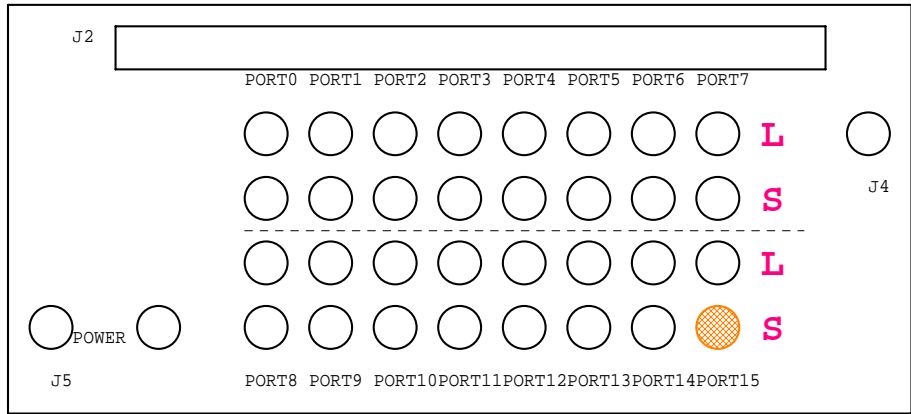
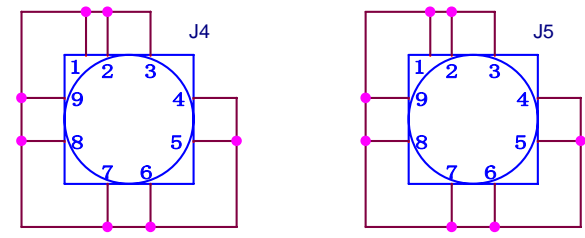
TP-Link TECHNOLOGY

Title		
SMART		
Size	Document Number	Rev
B	TL-SF2116P	1.0
Date:	Monday, December 09, 2002	Sheet 7 of 8





两层板, J4和J5用Part
Decal:MM3.5\L2



TP-Link TECHNOLOGY		
LED BOARD		
Size A	Document Number TL-SF2116P	Rev 1.0
Date:	Friday, November 15, 2002	Sheet 1 of 1