

特性 Features

- | | |
|-------------------------|--|
| ● 宽电压输入范围 | Wide range of input voltage |
| ● 输入宽频噪声滤波 | Broadband noise filter of input |
| ● 输入浪涌电流抑制电路 | Surge suppress circuit of input |
| ● 符合 UL1950、IEC950 安全规程 | Comply with UL1950, IEC950 safety regulation |
| ● 外型设计美观 | Attractive outline design |
| ● 接线端子出线方式 | Terminae connection method |
| ● 安装方便 | Easy installation |
| ● 快速动态响应 | Fast dynamic response |



输入特性 Input Characteristic

电压范围 (Voltage Range)	220 VAC (额定值)	176-264 VAC
反压保护 (Reverse Protection)	应用时外接熔丝 (Fuse Outside)	

输出特性 Output Characteristic

电压精度 (Voltage Set-point Accuracy)	± 1%
电压调整率 (Line Regulation)	± 0.2%
负载调整率 (Load Regulation)	± 0.4%
温度变化率 (Temperature Coefficient)	± 0.01%/°C
电流限制点 (Output Current Limiting)	120%(Typ)
响应速度 (Dynamic Response)	400μs
输出电流 (Output Current)	13-66A 任选
输出电压 (Output Voltage)	12-110V
功率 (Power)	800-2000W

一般特性 General Characteristic

工作频率 (Switching Frequency)	120	KHz
隔离电阻 (Isolation Resistance)	200	M Ω
MTBF	>500000	h
绝缘强度(Isolation Voltage)		
输入 - 输出 (Input-Output)	>1500 VAC/1min(漏电流<5mA)	
输入 - 外壳 (Input-Case)	>1500 VAC/1min(漏电流<5mA)	
输出 - 外壳 (Output-Case)	>500 VDC/1min	
环境特性(Environmental Characteristics)		
工作壳温 (Case Temperature)	(工业品)-25 - +85°C (Industry)	
	(军 I)-40 - +85°C (Military I)	
	(军 II)-55 - +85°C (Military II)	
存储温度 (Storage Temperature)	(工业品)-45 - +105°C (Industry)	
	(军品)-55 - +105°C (Military)	

热阻特性 Heat Characteristic

冷却方式 (Cooling)	热阻 (Thermal Resistance)
自然风冷 (Breeze of Nature)	0.20°C/W
0.5M/S	0.17°C/W
1M/S	0.13°C/W
1.5M/S	0.09°C/W
2M/S	0.07°C/W

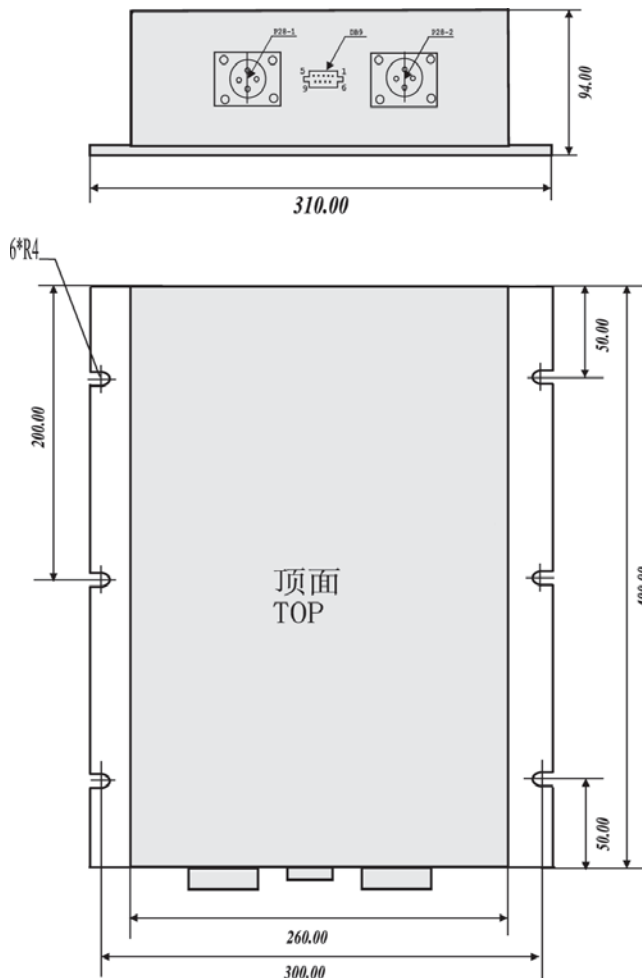
型号 Models

输入电压(Vdc) Input voltage	输入电压(范围) Input voltage<Range>	输出电压(Vdc) Output voltage	输出电流 (A) Output current	纹波 pk-pk(mv) Ripple and noise	效率 (Typ) Efficiency	型号 Models	
单 路	220	176-264	12	66.67	120	85%	CTA800-220S12
	220	176-264	15	53.33	150	85%	CTA800-220S15
	220	176-264	24	41.67	200	86%	CTA1000-220S24
	220	176-264	24	62.5	200	86%	CTA1500-220S24
	220	176-264	28	53.57	280	86%	CTA1500-220S28
	220	176-264	48	20.83	400	87%	CTA1000-220S48
	220	176-264	48	41.67	400	87%	CTA2000-220S48
	220	176-264	110	13.64	800	87%	CTA1500-220S110

■说明: 仅列出典型型号, 其它型号, 请确定功率、输入电压及输出电压, 致电我公司。

Only typical models listed. If you need other model, please conform the power, input voltage and output voltage, then phone us.

外型尺寸图与引脚定义 Mechanical drawing and pin definition



单位(Unit):mm

P28-1	
引脚 PIN	单路 SING
1	Gr
2	AC
3	AC
4	NC

P28-2	
引脚 PIN	单路 SING
1	+Vo
2	+Vo
3	-Vo
4	-Vo