

SPECIFICATION OF RC SERIES

APPLICATIONS

- Enclosures for channel-type EMI suppressor snaps.
 * Internal and external power cables
 * Internal cables between PC boards and data connectors

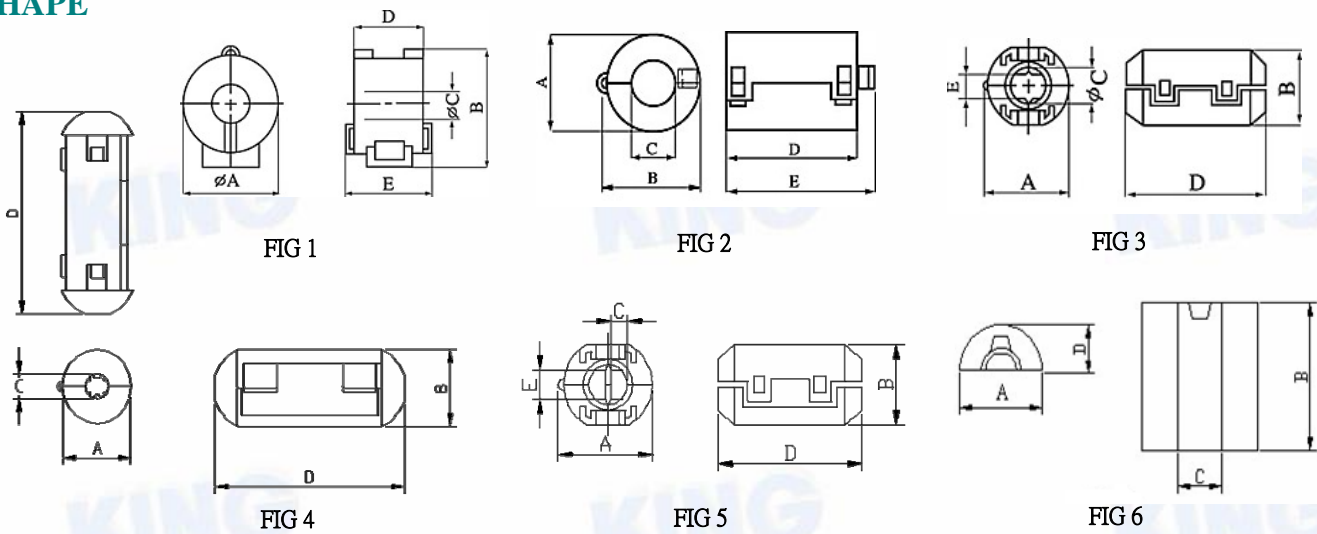
ORDERING CODE

$$\frac{K5B}{(1)} \frac{RC}{(2)} \frac{16}{(3)} \times \frac{13}{(4)} \times \frac{8}{(5)} - \frac{M}{(6)}$$

- (1) MATERIAL
 (2) PRODUCT CODE
 (3) CORE OD
 (4) CORE LENGTH
 (5) CORE ID
 (6) PLASTIC CLAMPS



SHAPE



DIMENSIONS & CHARACTERISTICS

UNIT:m/m

NO.	ORDERING CODE		A	B	C	D	E	Applicable cable(max)	Fig
1	RC 10*20*5	M	13.00±1.00	12.00±1.00	5.00±1.00	25.50±1.00	2.40±0.50	3.5	3
2	RC 12*15*7	M	14.00±1.00	15.50±1.00	7.00±1.00	18.00±1.00	22.00±1.00	7	2
3	RC 13*23*7	M	17.00±1.00	15.00±1.00	7.00±1.00	30.00±1.00	3.00±1.00	4	3
4	RC 14*28.5*7	M	20.00±1.00	20.00±1.00	8.50±1.00	39.00±1.00	-	7	4
5	RC 16*13*8	M	19.50±1.00	23.00±1.00	8.00±1.00	17.00±1.00	23.00±1.00	8	1
6	RC 16*16*8	M	19.20±1.00	23.40±1.00	8.20±1.00	20.00±1.00	26.10±1.00	8	1
7	RC 16*28*8	M1	19.50±1.00	20.00±1.00	9.50±1.00	31.00±1.00	35.00±1.00	8	2
8	RC 16*28*9	M1	19.50±1.00	20.00±1.00	9.50±1.00	31.00±1.00	35.00±1.00	9	2
9	RC 16*28*9	M2	20.00±1.00	18.00±1.00	9.50±1.00	36.00±1.00	6.50±1.00	9	3
10	RC 17.5*28.5*9.5		17.50±0.30	28.50±0.60	9.50±0.25	8.75(+0.00/-0.60)	-	9	6
11	RC 17*28*11	M	20.50±1.00	20.50±1.00	11.00±1.00	31.50±1.00	36.00±1.00	11	2
12	RC 20*30*5	M	23.00±1.00	22.00±1.00	5.00±1.00	36.00±1.00	10.00±1.00	4*1.5	5
13	RC 20*30*13	M	23.00±1.00	22.00±1.00	13.50±1.00	36.00±1.00	10.00±1.00	12	3
14	RC 20.5*10*10.2	M	24.50±1.00	28.50±1.00	10.20±1.00	13.50±1.00	20.00±1.00	10	1
15	RC 24*14*11.5	M	28.00±1.00	31.50±1.00	11.50±1.00	18.00±1.00	24.00±1.00	11.5	1
16	RC 25*12*15	M	29.00±1.00	33.00±1.00	15.00±1.00	15.50±1.00	21.50±1.00	15	1
17	RC 26*30*13	M	30.75±1.00	31.00±1.00	13.00±1.00	34.00±1.00	39.00±1.00	13	2
18	RC 35.5*15*23		35.50±0.60	15.00±0.40	22.50-23.00	17.40±0.20	-	22	6

※Other sizes are available upon request.

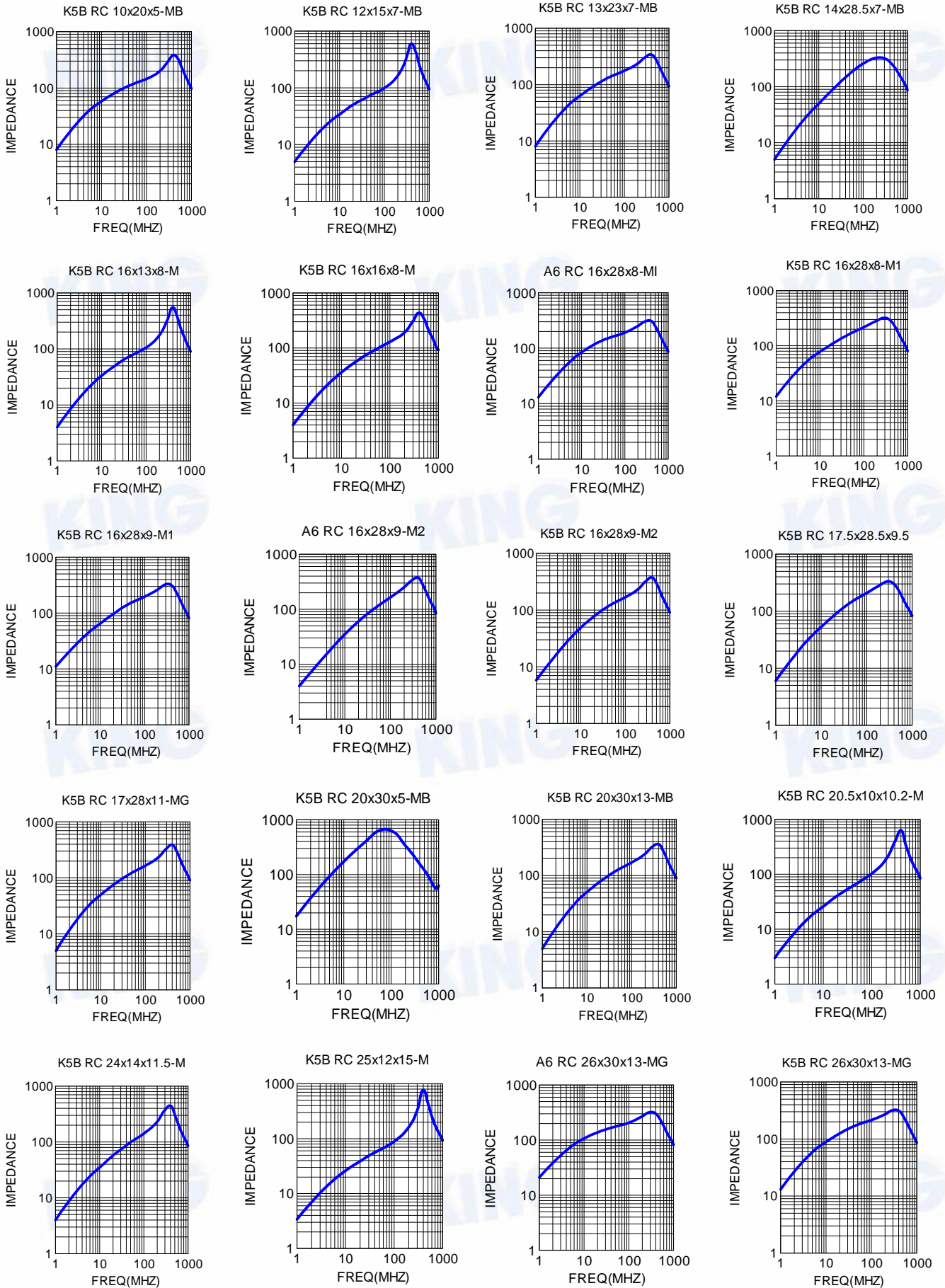
※All the data listed in this catalogue are for reference only, King Core reserves the right to alter or revise the specifications without prior notification.



全方位电磁兼容 (EMC) 器件供应商!

深圳市科普伦科技有限公司 电话: 0755-26532285 传真: 0755-26532652 邮箱: kai.zhong@compon-tech.com

SPECIFICATION OF RC SERIES



※Other sizes are available upon request.

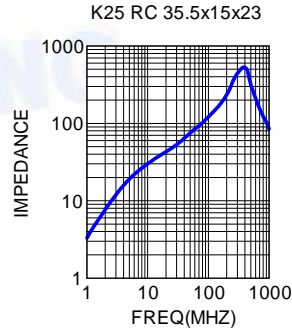
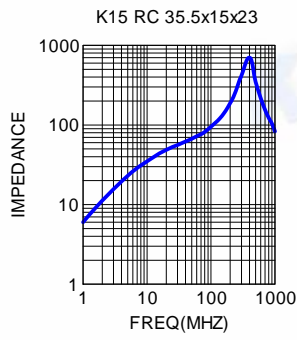
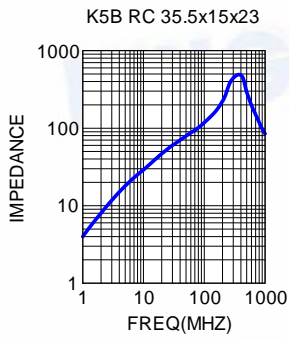
※All the date listed in this catalogue are for reference only, King Core reserves the right to alter or revise the specifications without prior notification.



全方位电磁兼容 (EMC) 器件供应商!

深圳市科普伦科技有限公司 电话: 0755-26532285 传真: 0755-26532652 邮箱: kai.zhong@compon-tech.com

SPECIFICATION OF RC SERIES



※Other sizes are available upon request.

※All the data listed in this catalogue are for reference only, King Core reserves the right to alter or revise the specifications without prior notification.

ComPon
All-EMC Solution

全方位电磁兼容 (EMC) 器件供应商! 电话: 0755-26532285 传真: 0755-26532652 邮箱: kai.zhong@compon-tech.com