

6

5

4

3

2

1

REVISION RECORD			
LTR	ECO NO:	APPROVED:	DATE:

D

D

C

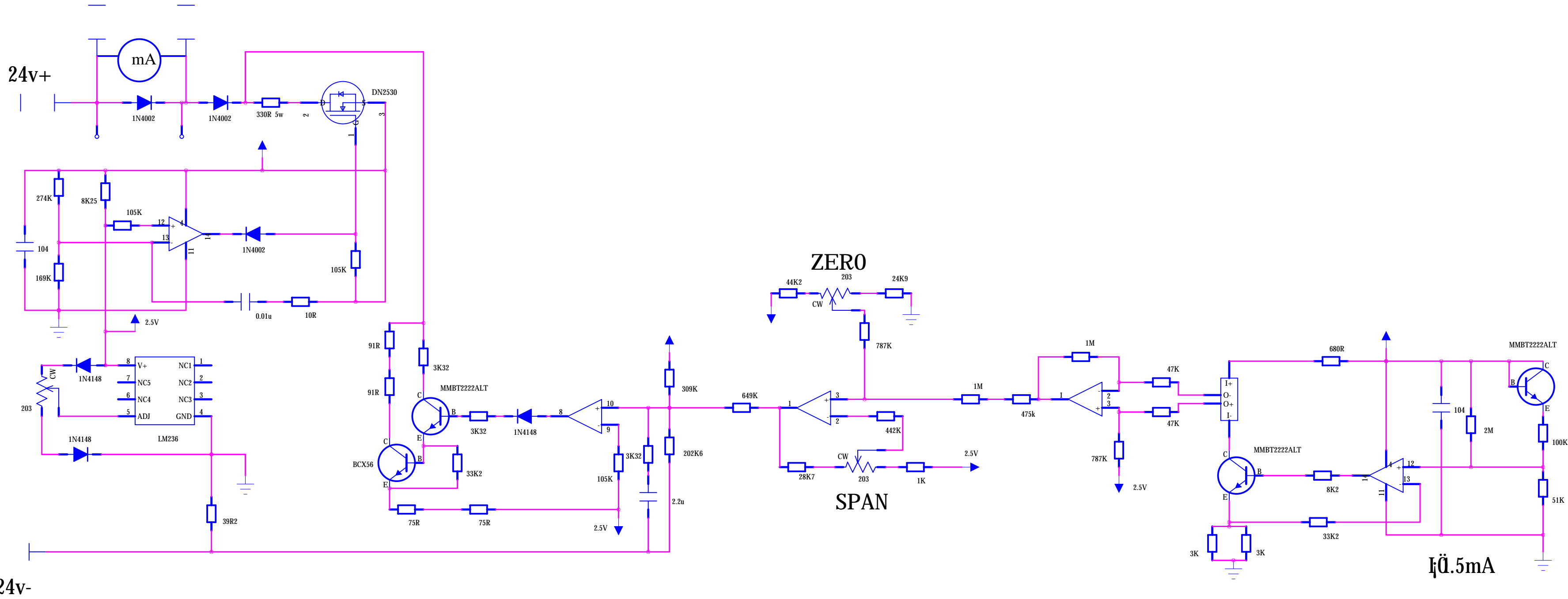
C

B

B

A

A



COMPANY:			
TITLE:			
CODE:	SIZE:	DRAWING NO:	REV:
<Code>	A2	1	v1.0
SCALE: 1:1			SHEET: 0f 1

DRAWN:	DATED:
CHECKED:	DATED:
QUALITY CONTROL:	DATED:
RELEASED:	DATED: