

6

5

4

3

2

1

REVISION RECORD			
LTR	ECO NO:	APPROVED:	DATE:

D

D

C

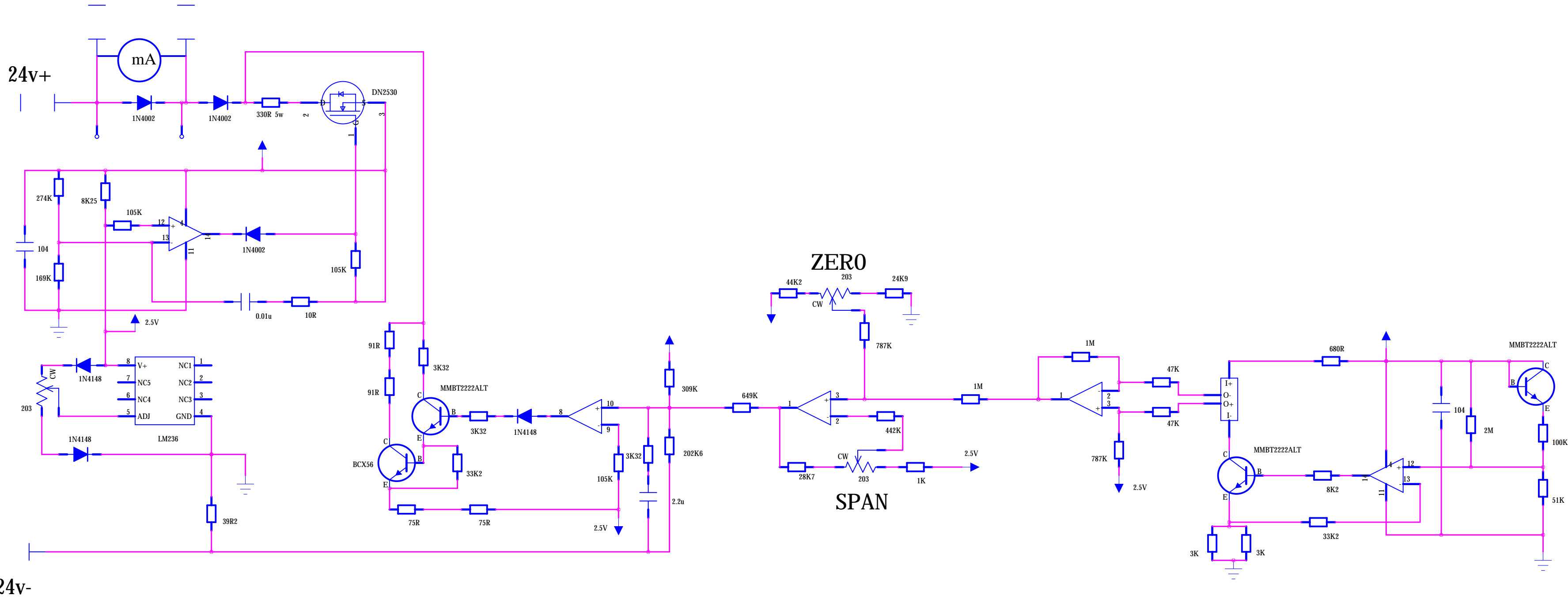
C

B

B

A

A



COMPANY:			
TITLE:			
DRAWN:	DATED:	CODE:	REV:
CHECKED:	DATED:	SIZE: A2	v1.0
QUALITY CONTROL:	DATED:	DRAWING NO: 1	
RELEASED:	DATED:	SCALE: 1:1	SHEET: 1 of 1