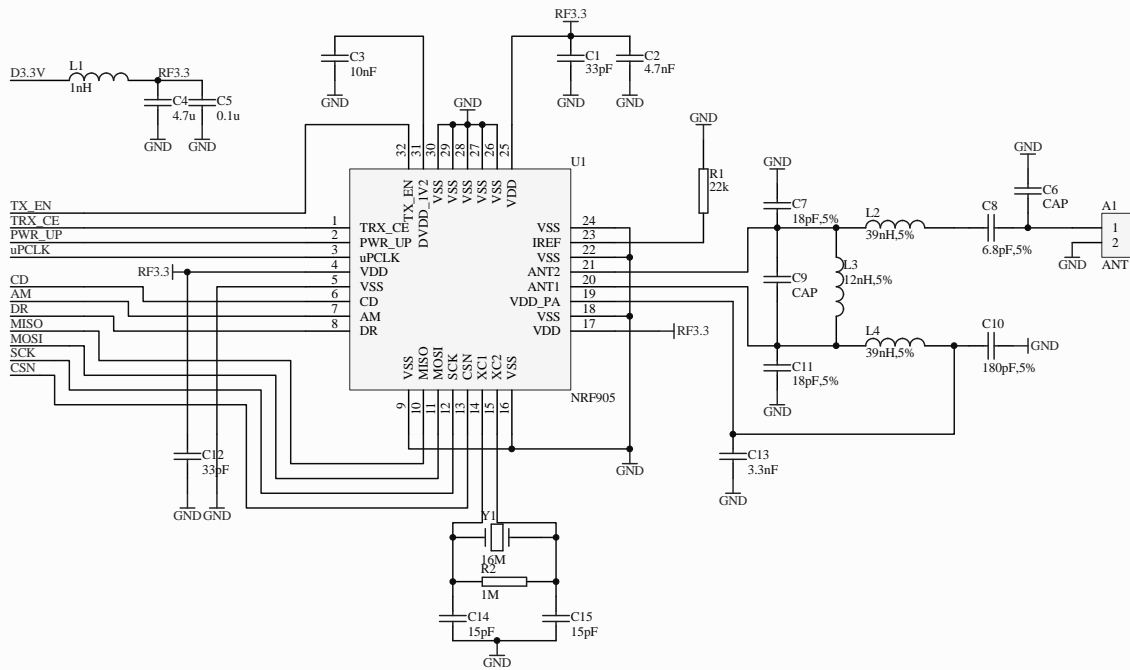


RF_SO
RF_SCLK
CC2_FIFO
CC2_CCA
CC2_nRST



Title		
Size B	Number	Revision
Date: 2009-6-18	Sheet of	
File: E:\work\zigbee\hardware\rf_905\rf.Sch	Drawn By:	