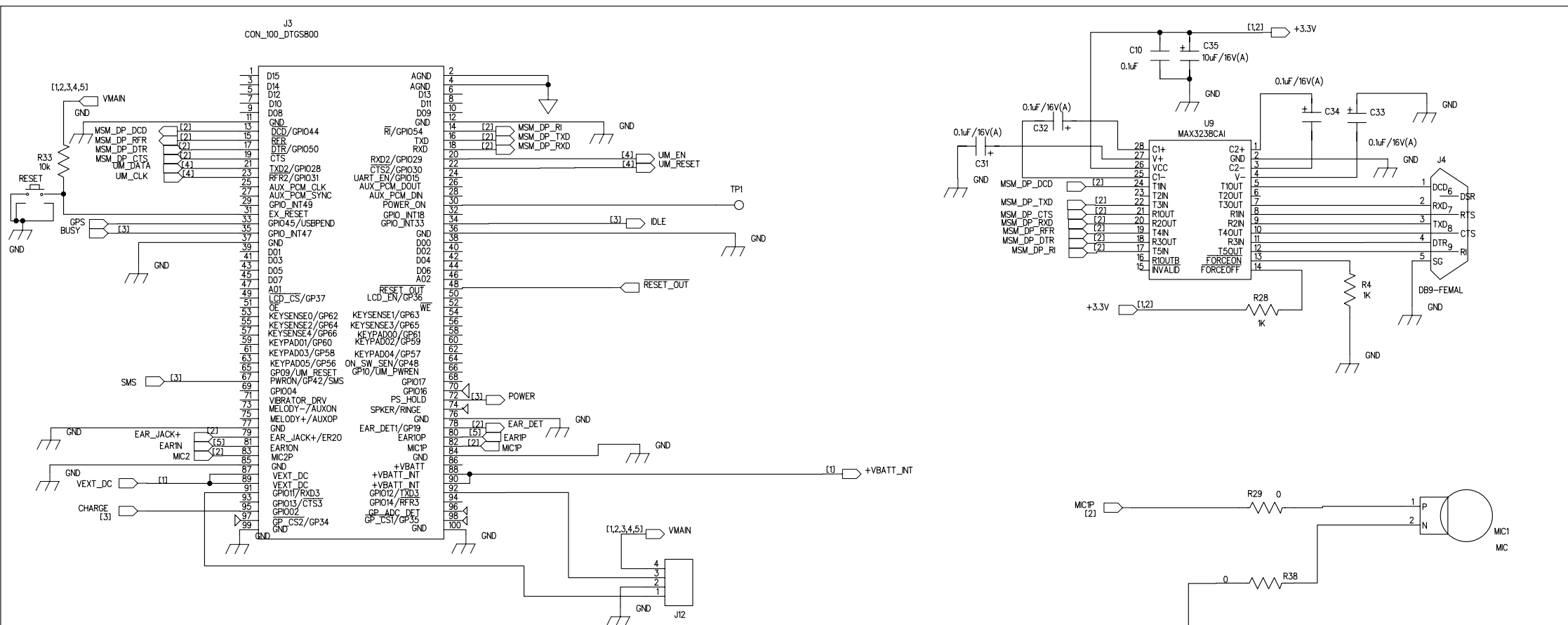
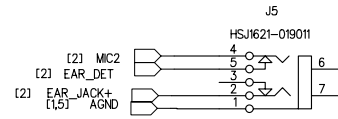


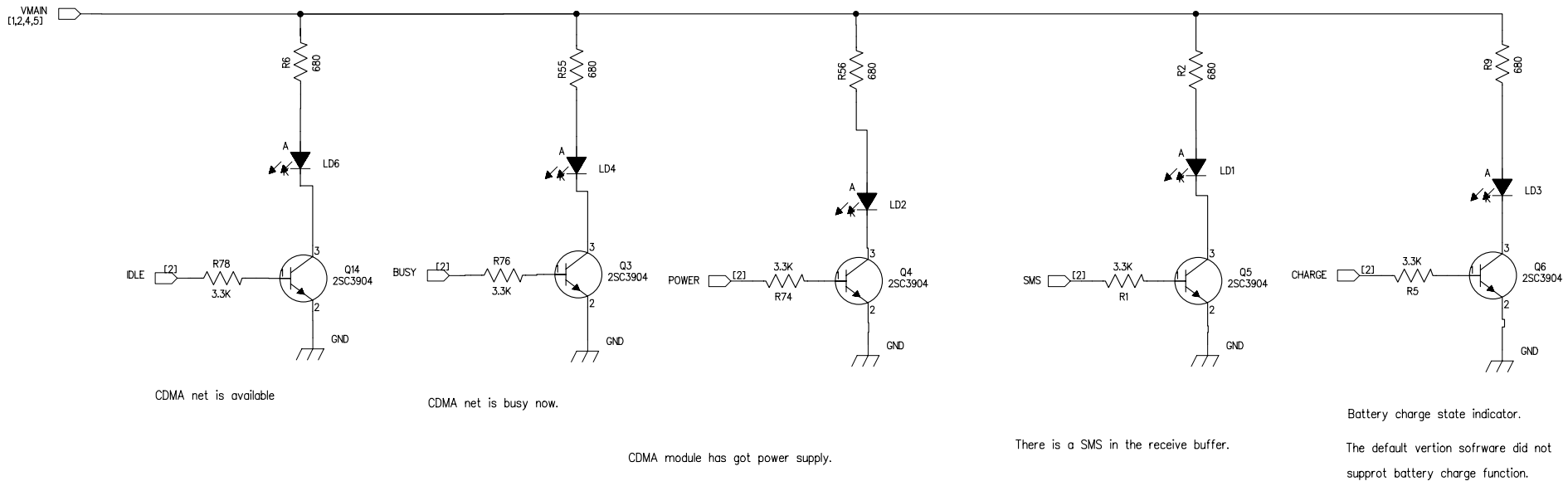
PROJECT NAME:		Demo		Any DATA.NET INC. <small>Any Time Any Place Any Wireless Data Solutions</small>	
BLOCK NAME:		Power			
DATE:		2005.10.24		DWG SIZE: A4	
DRAWN BY:	CHECKED BY:	APPROVED BY:	WangZhebo		
			SHEET: 1 OF 5		



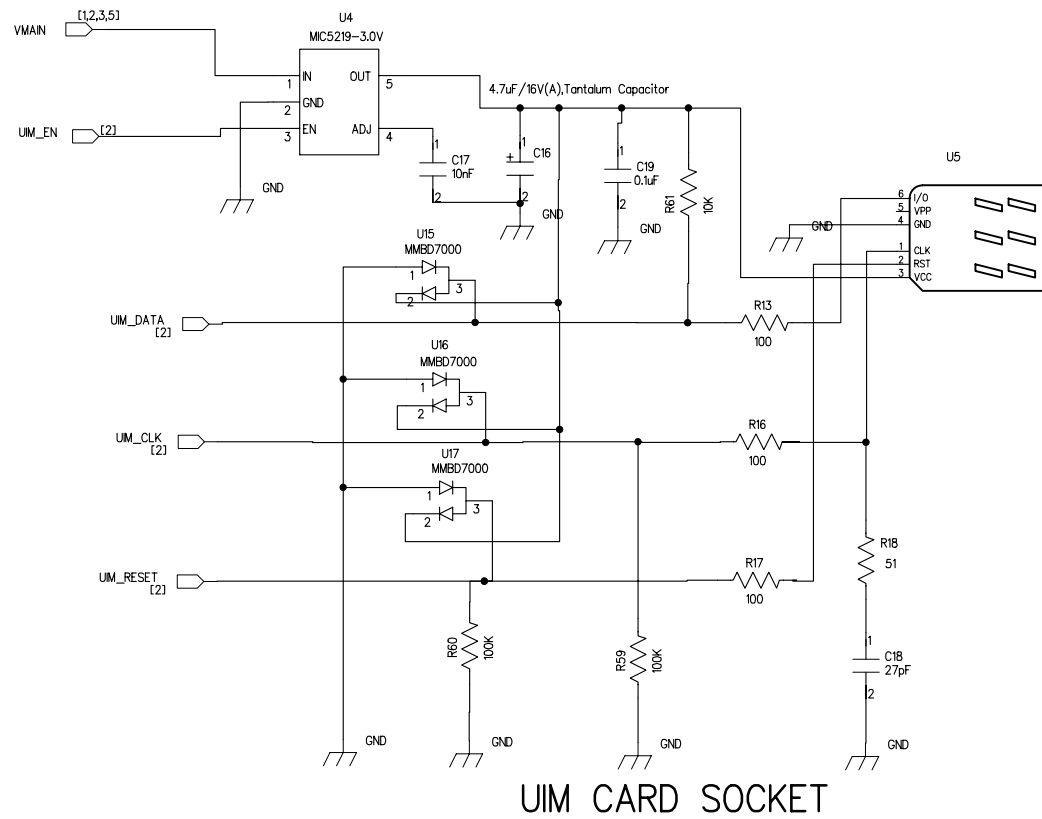
Avoid to use the pins as GPIOs indicated by red triangles



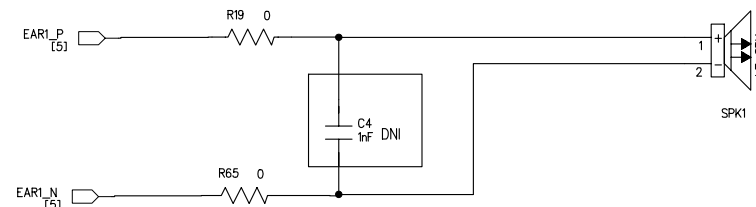
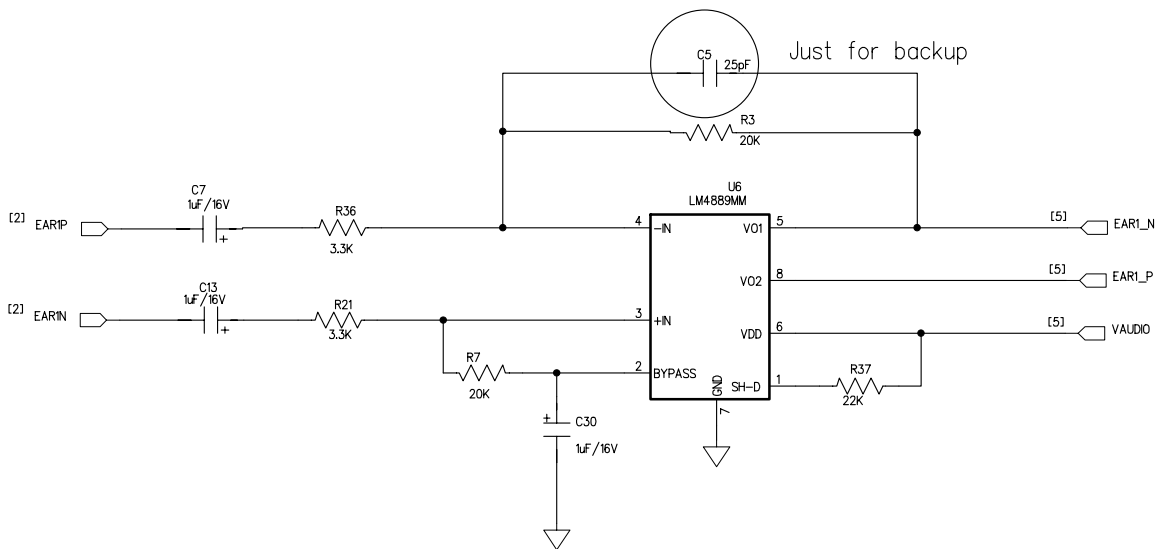
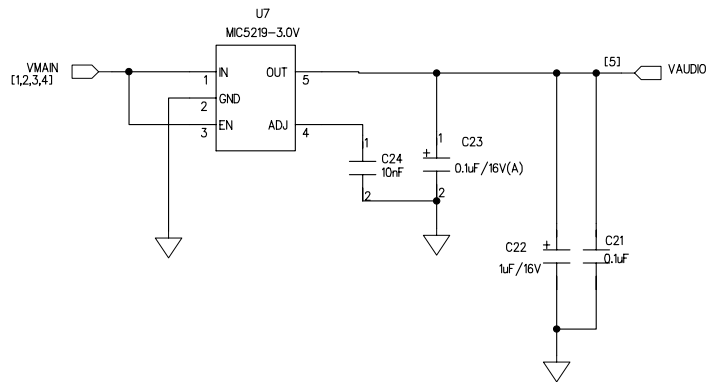
PROJECT NAME:		Demo		Any DATA.NET INC. <small>Any Time Any Place Any Wireless Data Solutions</small>
BLOCK NAME:		Module&Uart&Socket		
DATE:		2005.10.24		
DRAWN BY:	CHECKED BY:	APPROVED BY:	DWG SIZE:	A4
WangZhebo				SHEET: 2 OF 5



PROJECT NAME:		Demo		Any DATA.NET INC. <small>Any Time Any Place Any Wireless Data Solutions</small>
BLOCK NAME:		Detect&Control		
DATE:		2005.10.24		
DRAWN BY:	CHECKED BY:	APPROVED BY:	DWG SIZE:	A4
WangZhebo			SHEET: 3 OF 5	



PROJECT NAME:		Demo		Any DATA.NET INC. <small>Any Time Any Place Any Wireless Data Solutions</small>	
BLOCK NAME:		UIM Card			
DATE:		2005.10.24			
DRAWN BY:	CHECKED BY:	APPROVED BY:	DWG SIZE:	A4	
WangZhebo				SHEET: 4 OF 5	



PROJECT NAME:		Demo		Any DATA.NET INC. <small>Any Time Any Place Any Wireless Data Solutions</small>	
BLOCK NAME:		AUDIO			
DATE:		2005.10.24		DWG SIZE: A4	
DRAWN BY:	CHECKED BY:	APPROVED BY:			
				SHEET: 5 OF 5	