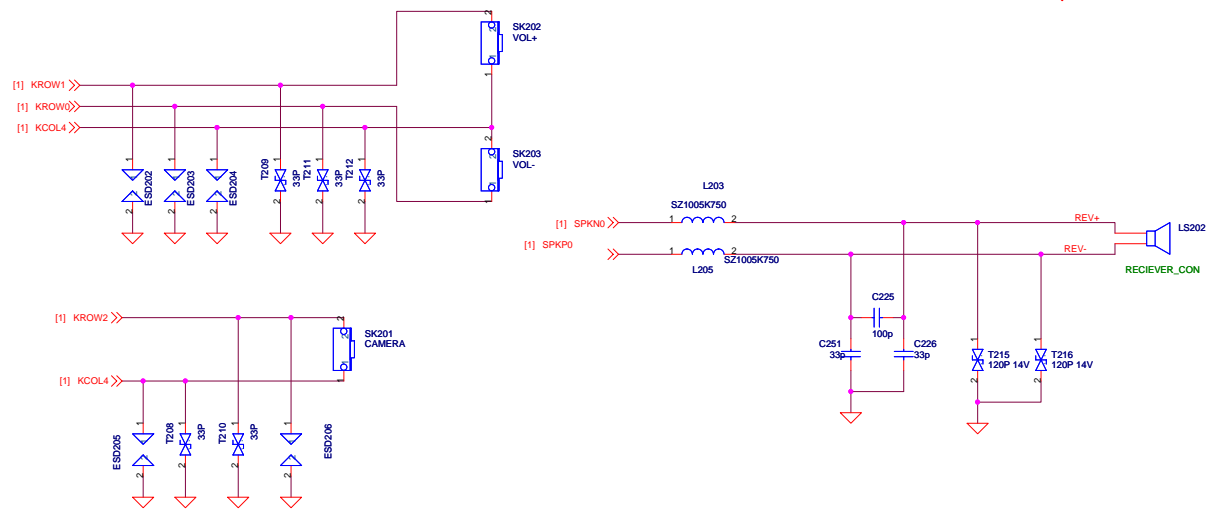
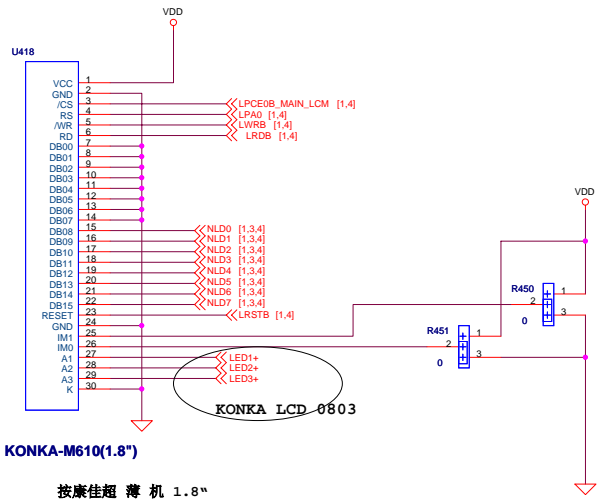
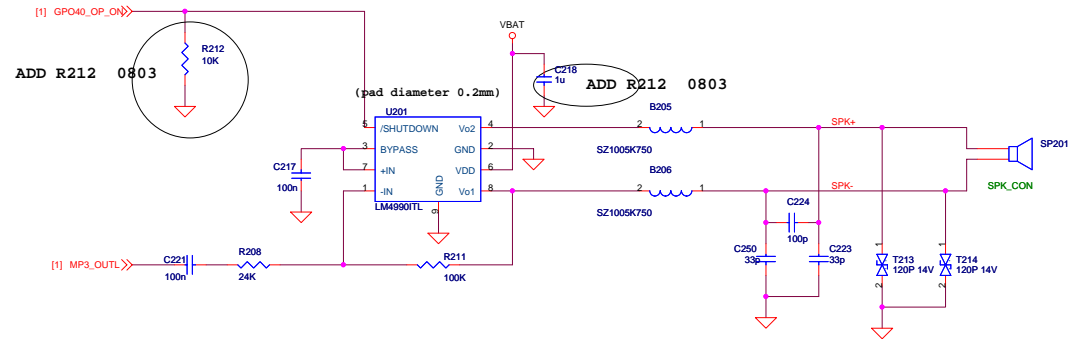
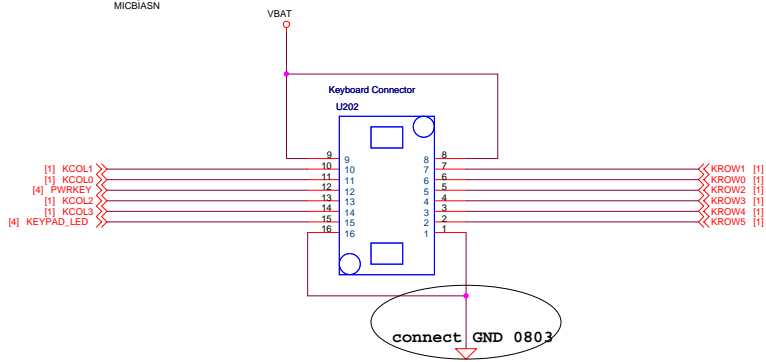
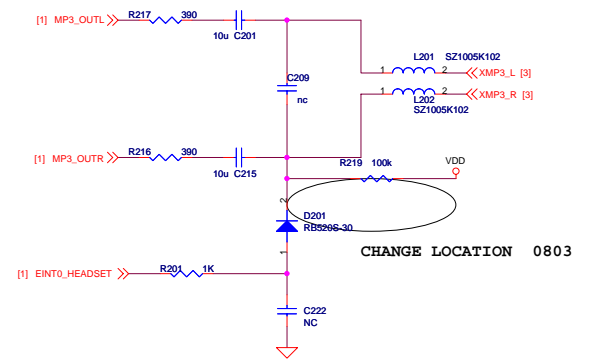
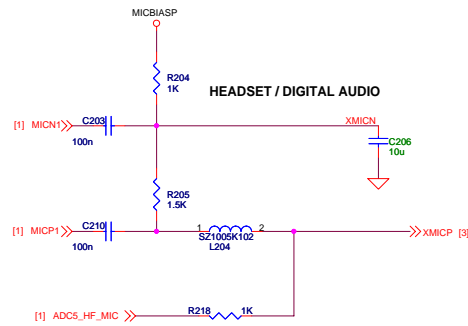
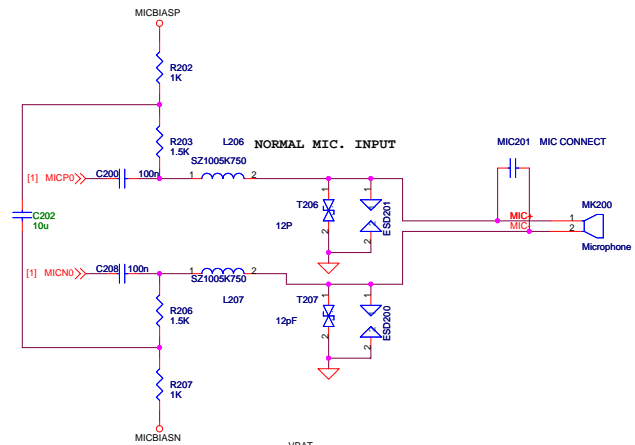


place under battery.pad=50MILL.



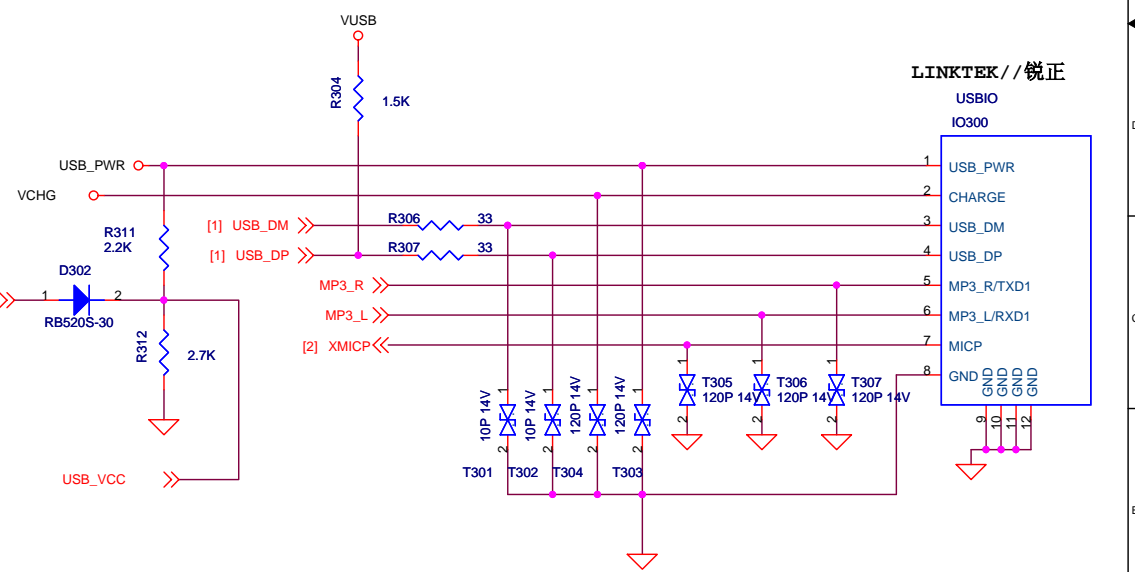
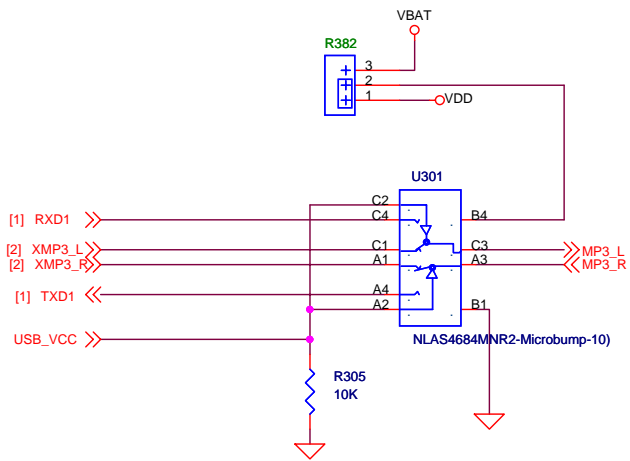
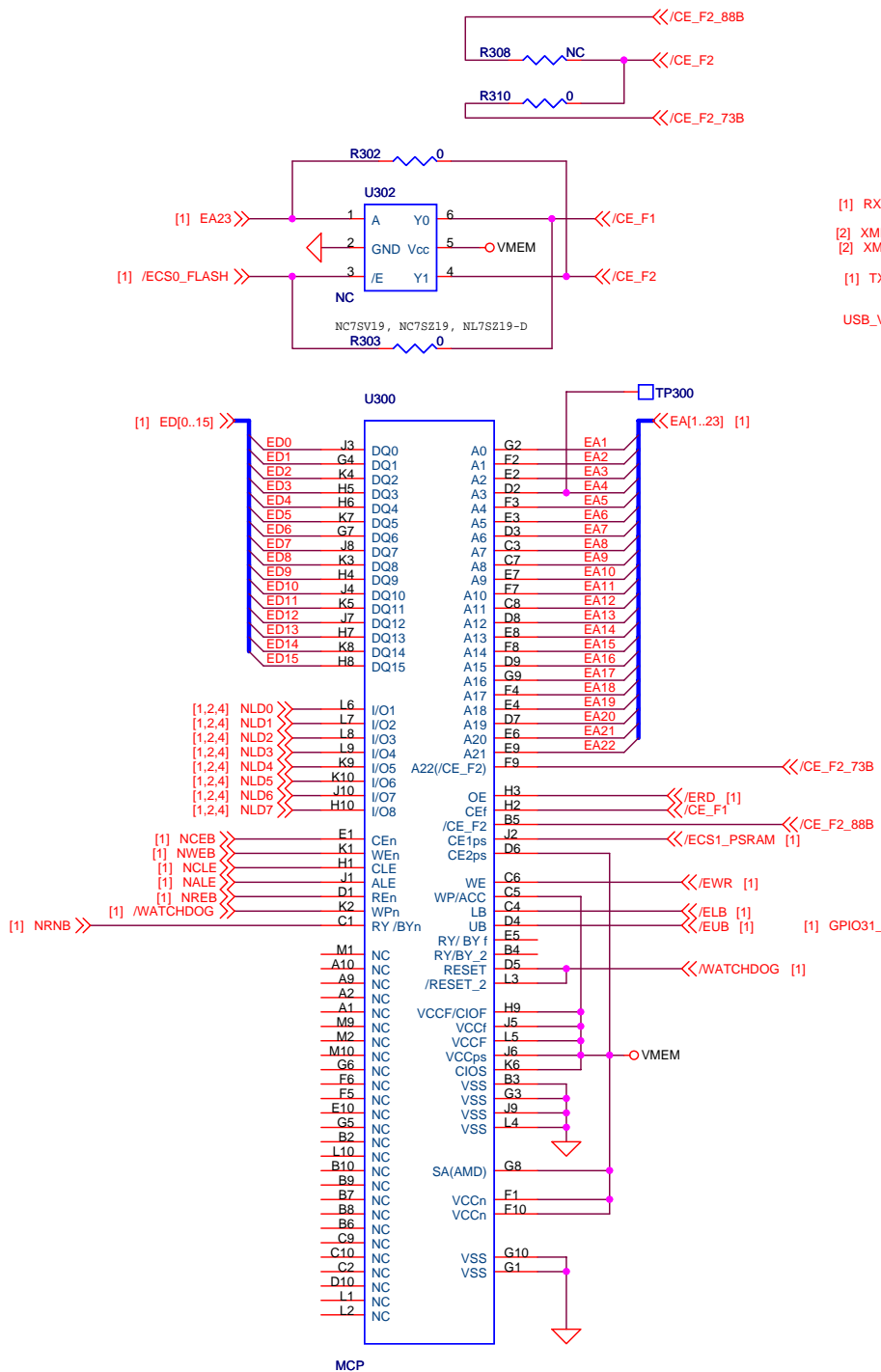
20060801

Title		
Size A3	Document Number MT6219	Rev V1.0
Date: Thursday, November 09, 2006	Sheet 1	of 6

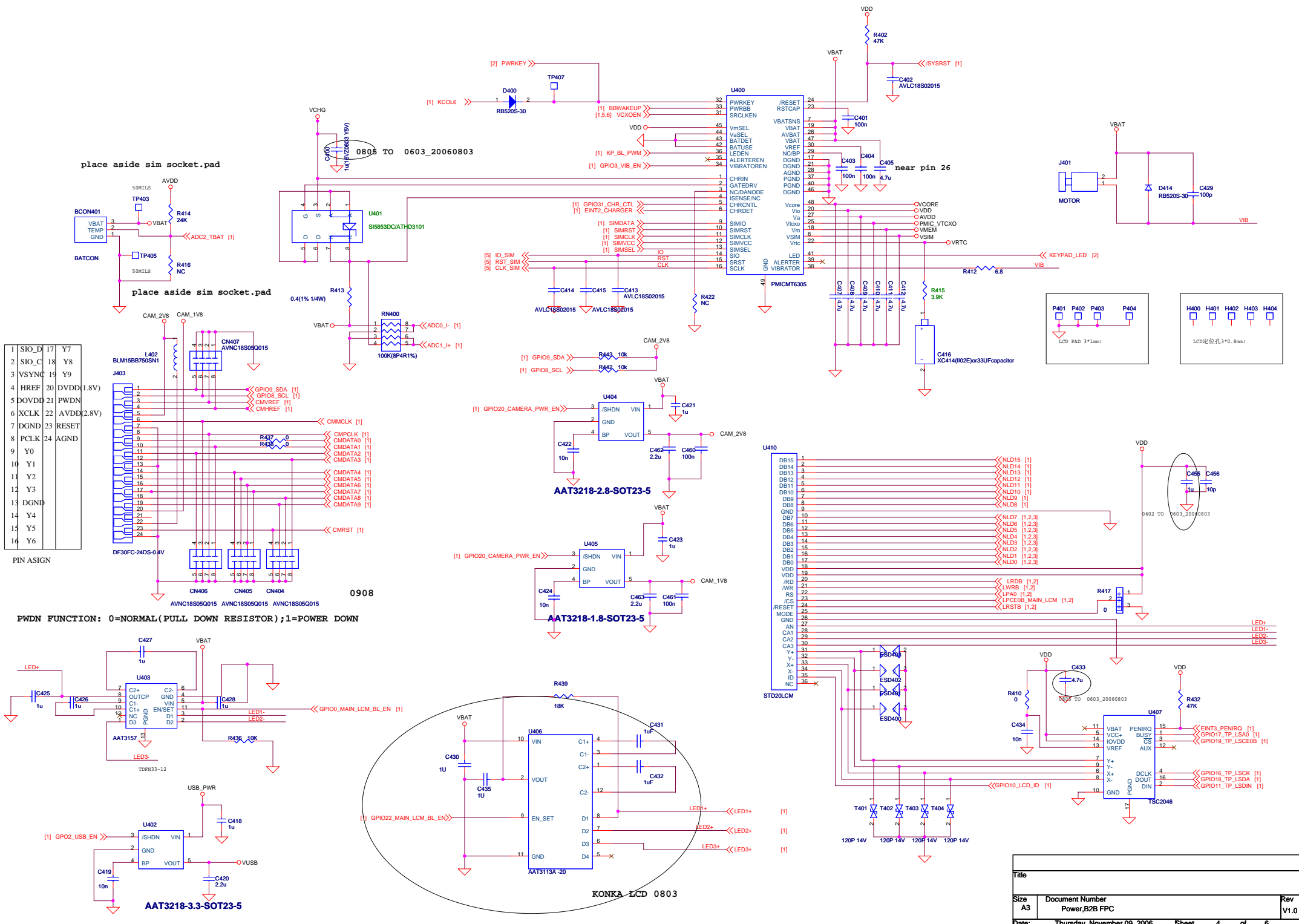


按康佳超薄机 1.8"  
QQVGA作备用焊盘。后续COSTDOWN\_0713

Title		
Size A3	Document Number Audio_Keypad	Rev V1.0
Date: Thursday, November 09, 2006	Sheet 2 of 6	



Title		
Size A4	Document Number MCM,SD/MMC,IO connector	Rev V1.0
Date: Thursday, November 09, 2006	Sheet 3 of 6	



place aside sim socket.pad

place aside sim socket.pad

1	SIO_D	17	Y7
2	SIO_C	18	Y8
3	VSYN	19	Y9
4	HREF	20	DVDD(1.8V)
5	DOVDD	21	PWDN
6	XCLK	22	AVDD(2.8V)
7	DGND	23	RESET
8	PCLK	24	AGND
9	Y0		
10	Y1		
11	Y2		
12	Y3		
13	DGND		
14	Y4		
15	Y5		
16	Y6		

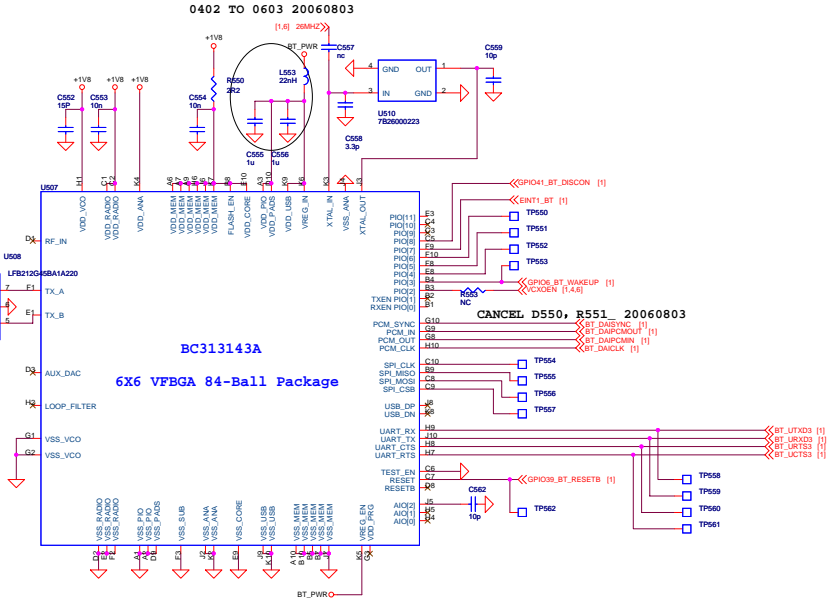
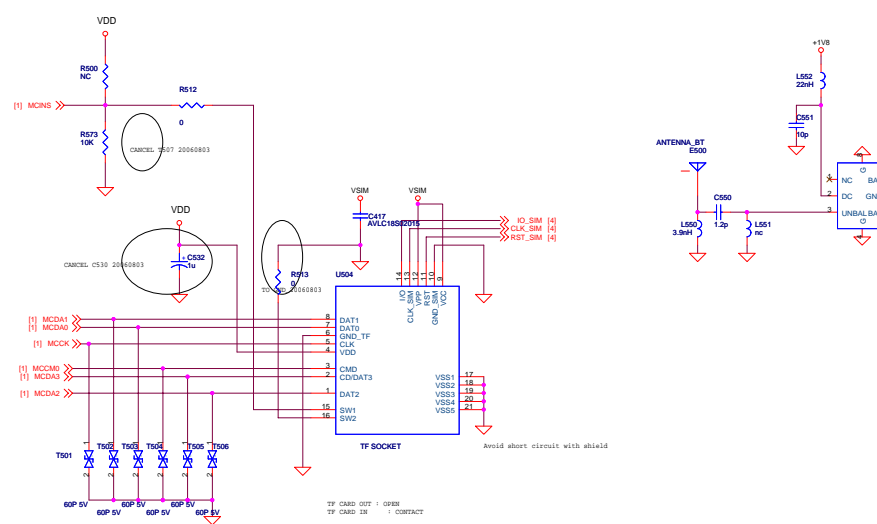
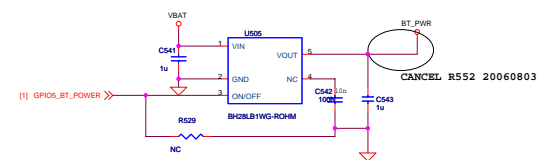
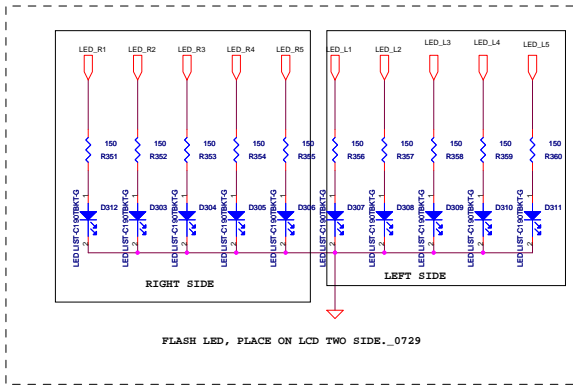
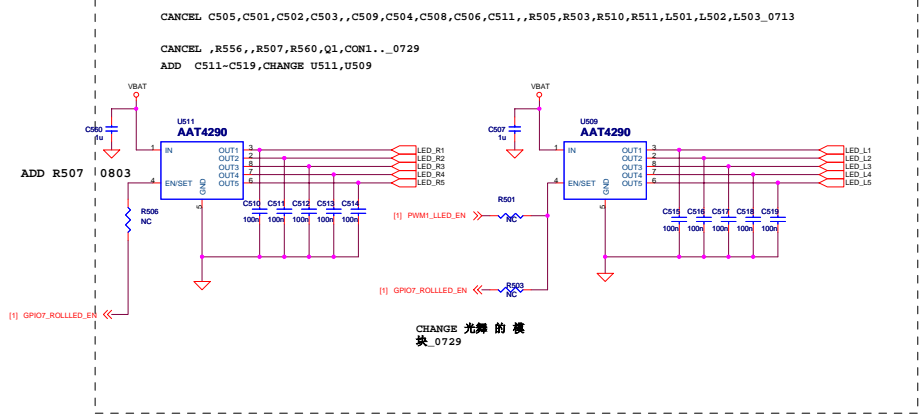
PIN ASIGN

PWDN FUNCTION: 0=NORMAL(PULL DOWN RESISTOR);1=POWER DOWN

0908

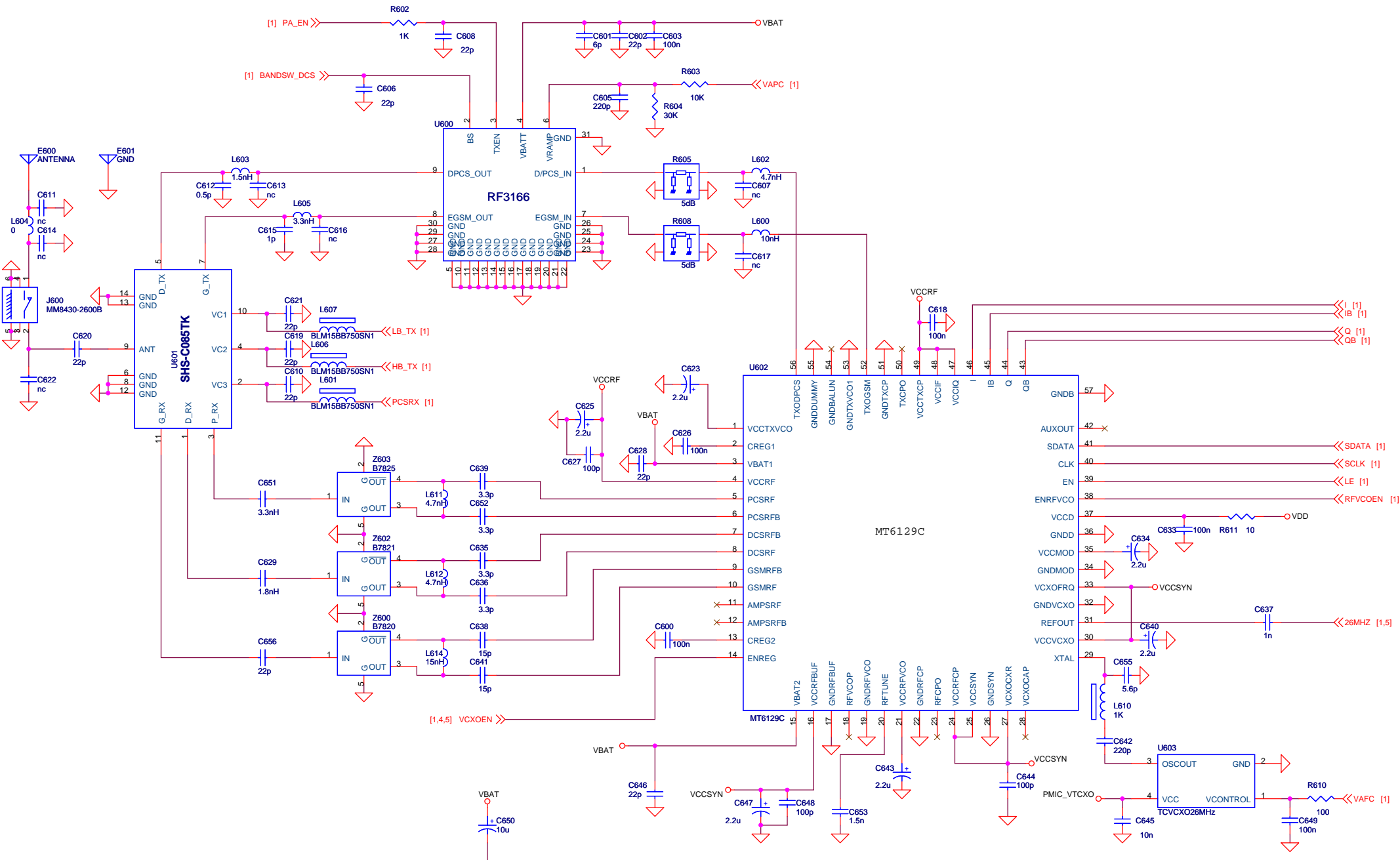
KONKA\_LCD 0803

Title			
Size	Document Number		
A3	Power,B2B FPC		
Date:	Thursday, November 09, 2006	Sheet	4 of 6
			Rev
			V1.0



TF CARD SLOT(WIESON,MOLEX compatible)

File		Rev
Size	Document Number	V1.0
C	<b>FM,MMC SOCKET,BLUE TOOTH</b>	
Date:	Thursday, November 09, 2006	Esheet 5 of 6



Title		
Size	Document Number	Rev
A3	MT6129C RF + RFMD3146 PA + M090C SW	V1.0
Date:	Saturday, August 05, 2006	Sheet 6 of 6