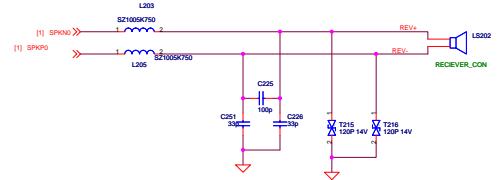
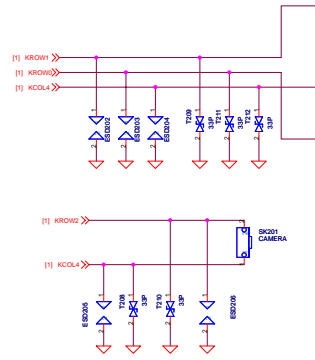
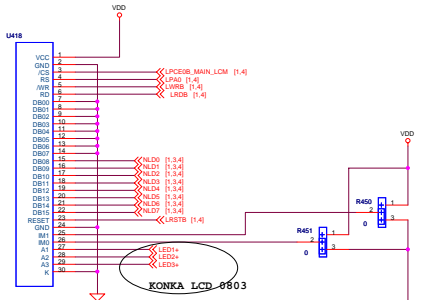
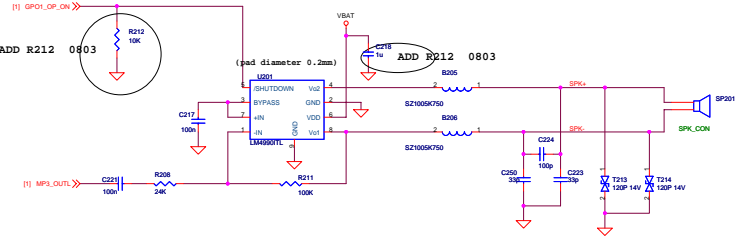
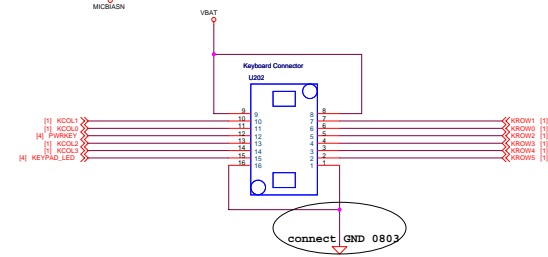
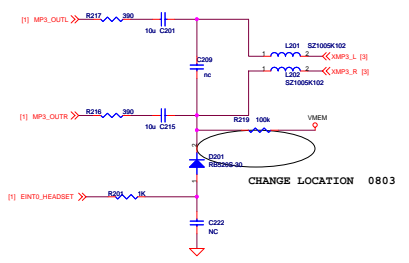
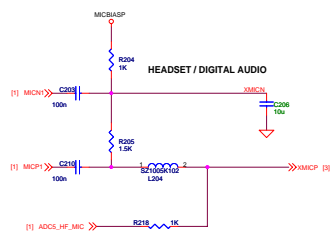
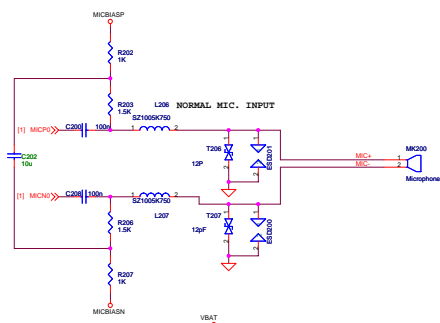
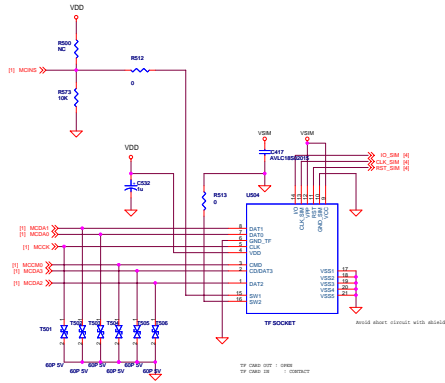
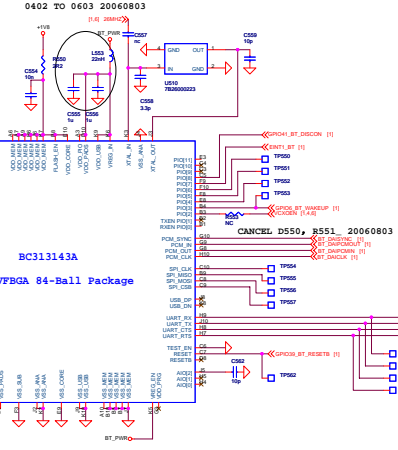
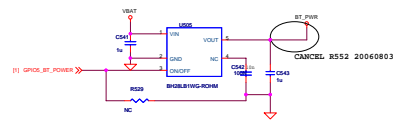
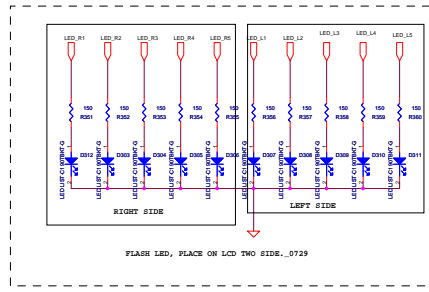
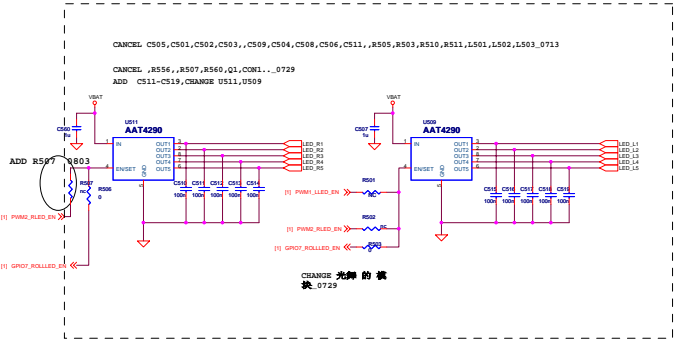


Rev			
Rev	AD	Document Number	Rev
Date		MT6219	V1.0
		Sunday, August 22, 1999	Page 1 of 6



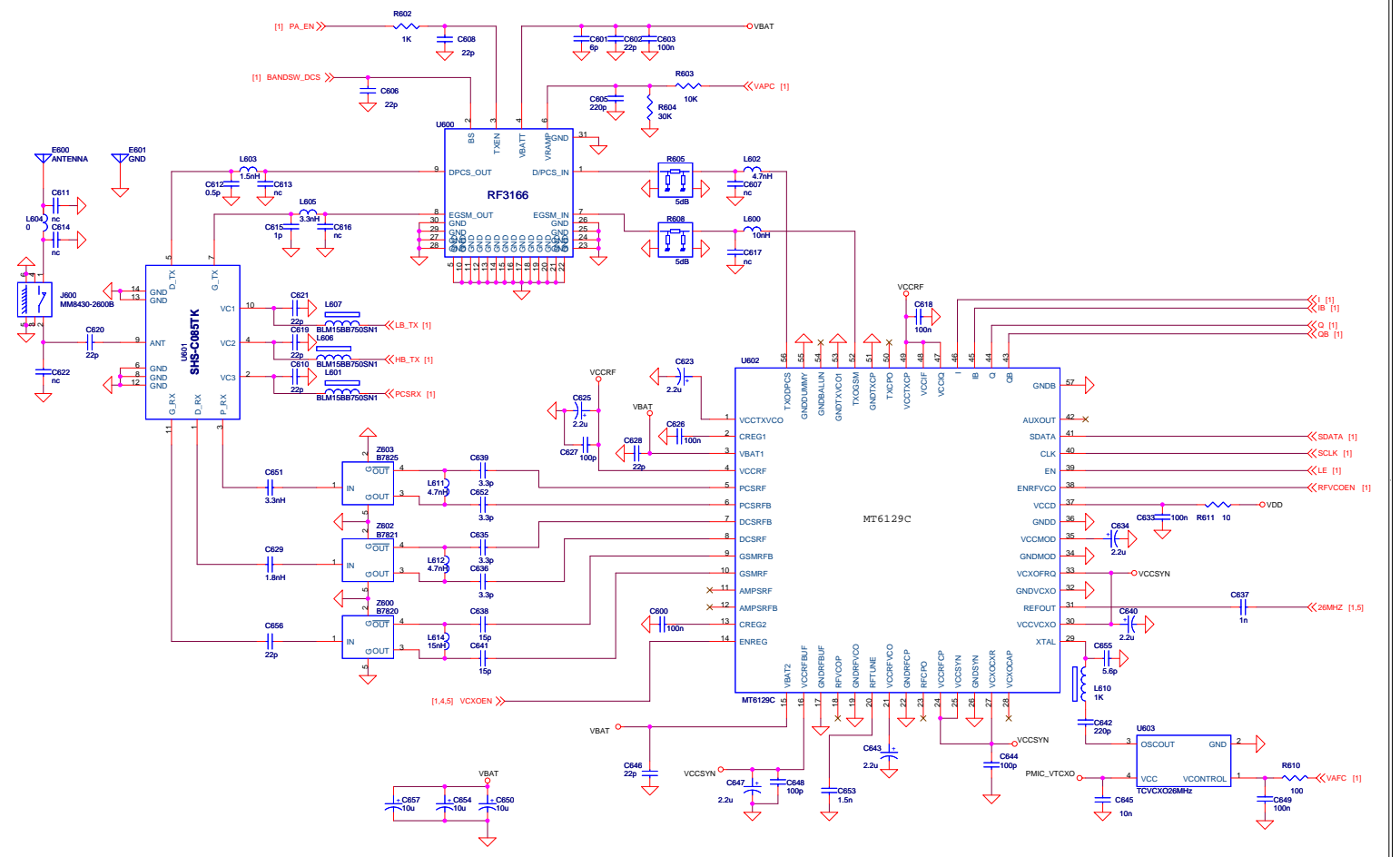
KONKA-M610(1.8")
 按屏触控 薄机 1.8"
 QOVGA 作备用屏显。后续 COSTDOWN_0713

Rev	Document Number	Rev
A3	Audio_Keypad	V1.0
Date	Sunday, August 22, 1999	Sheet 2 of 6



TF CARD SLOT(WIESON,MOLEX compatible)

Rev	Account Number	Rev
C	FM,MMC SOCKET,BLUE TOOTH	v1.0
Date	Sunday, August 22, 1999	Page 5 of 8



File:			
Size:	Document Number		Rev
A3	MT6129C RF + RFMD3146 PA + M090C SW	V1.0	
Date:	Sunday, August 22, 1999	Sheet	6 of 6