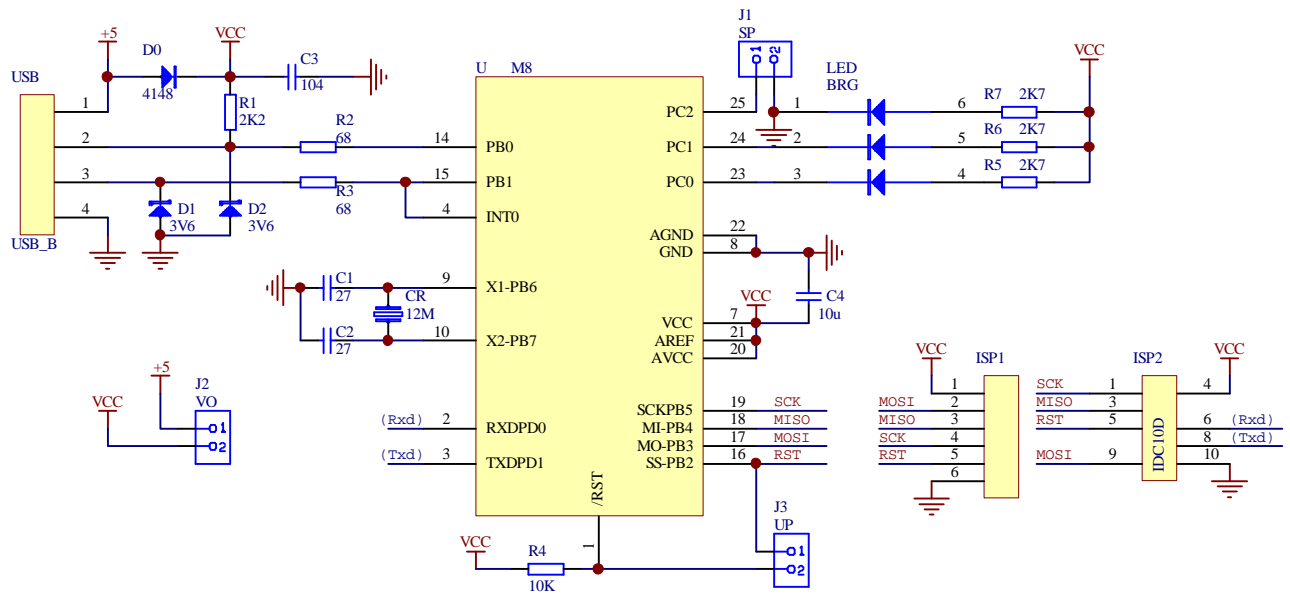


usbasp_v2 by wxf



Title		
http://www.fischl.du		
Size	Number	Revision
A4	usbasp_H.sch	20071108
Date:	28-Nov-2007	Sheet of 1
File:	C:\PROGRAM FILES\PROTEL 99SE\汉化\Draw\EMPLS\USBASP.W(精简电路图).D	20071106