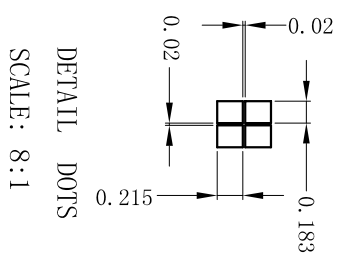
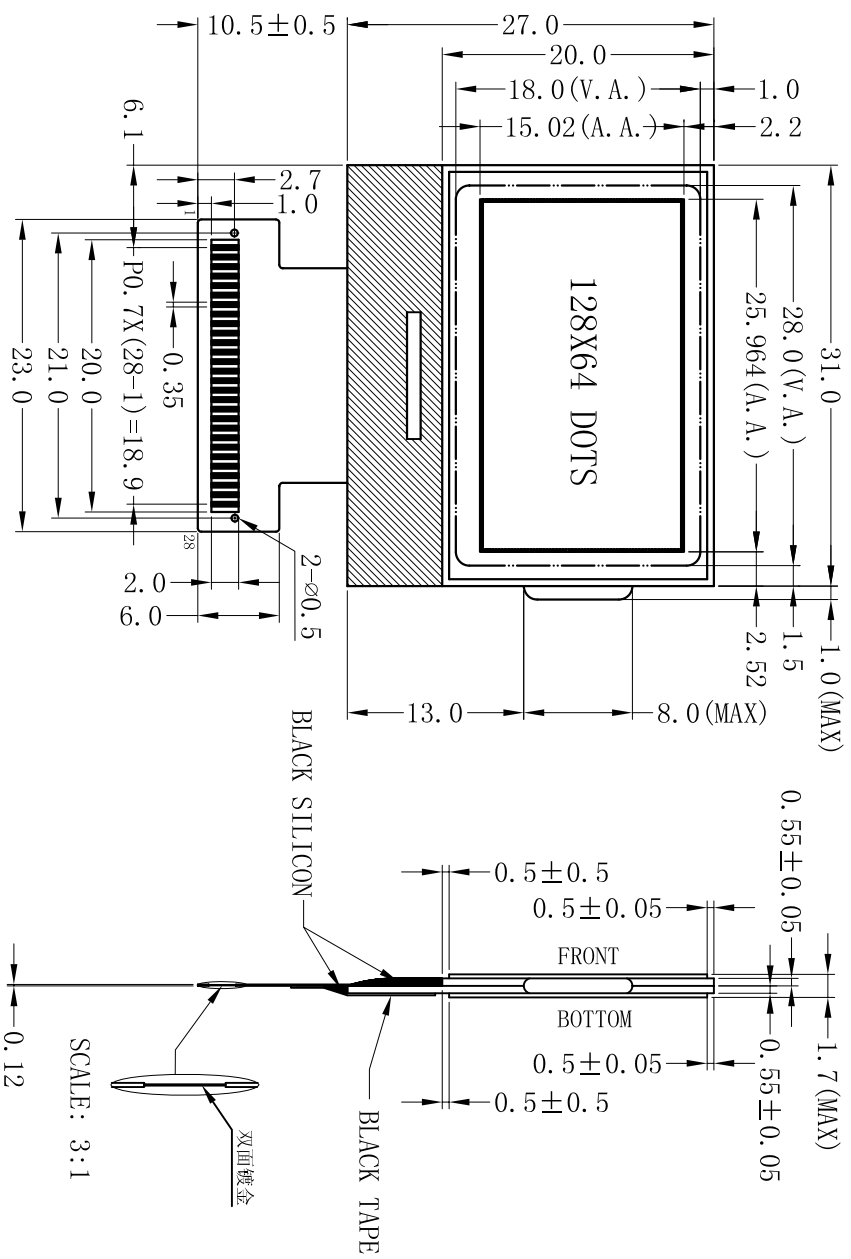
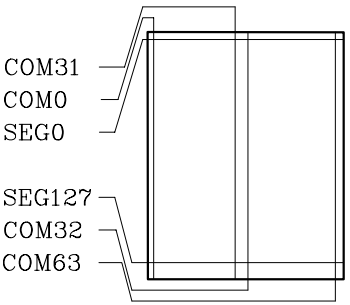


VERSION	CHANGE CONTENT	DATE
V00	FIRST ISSUE	2007-07-17



PIN	DESC	PIN	DESC
1	VDD	15	VSS
2	C86	16	D7
3	VSS	17	D6
4	V0	18	D5
5	V1	19	D4
6	V2	20	D3
7	V3	21	D2
8	V4	22	D1
9	CAP2N	23	D0
10	CAP2P	24	/RD
11	CAP1P	25	/WR
12	CAP1N	26	A0
13	CAP3P	27	/RES
14	VOUT	28	/CS1



LOGIC

SCALE: 3:1

双面镀金

SPECIFICATIONS

1. DISPLAY TYPE: FSTN/TRANSFLECTIVE/POSITIVE/B-W
2. LCD DRIVING VOLTAGE: 9.0V
3. LOGIC VOLTAGE: 3.3V
4. VIEWING DIRECTION: 6 O'CLOCK
5. OPERATING TEMP: -10° C-60° C
6. STORAGE TEMP: -20° C-70° C
7. DRIVE MODE: 1/64 DUTY, 1/9 BIAS
9. CONTROL/DRIVE IC: ST7565P-G
10. OTHER:

NOTE:

DESCRIPTION:

C/D

SCALE: FIT  
SHEET: 1 OF 1  
TINSHARP ELECTRONICS CO.,LTD.

MODEL: TG12864-COG6  
SERIAL NUMBER: MLX0185

UNIT: mm  
PROJECTION: 1st Angle  
APP: DATE: CHK: DATE: DWN: DATE: