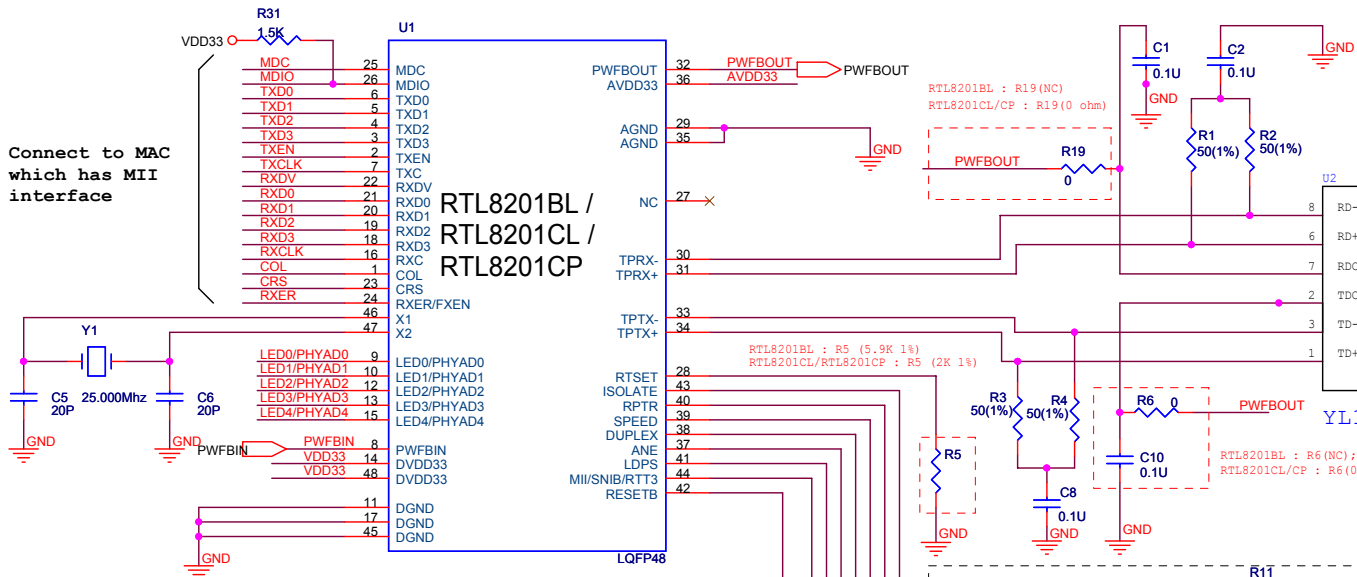
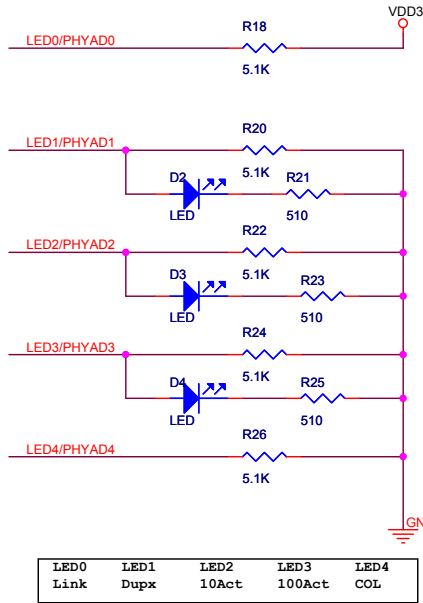


Connect to MAC
which has MII
interface



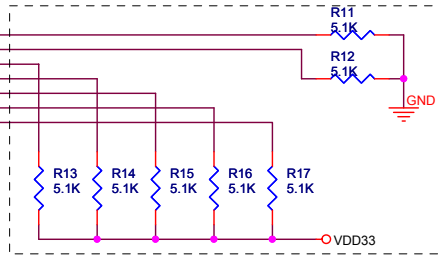
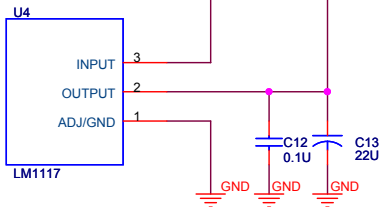
Reference Transformer Part No. list
YL18-2050S
YuTai Electronics Co.,LTD
TEL:86-574-63620701,63621610
<http://www.yutai-elec.com>
EMAIL: nico_yu@yeah.net

This schematic sets PHY address to 00001b. You could set PHY address from 00001b to 11111b. But the LED polarity must matches the respective PHYAD setting. Refer to datasheet's detailed description.



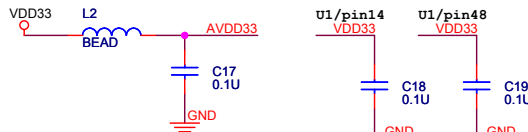
LED0	LED1	LED2	LED3	LED4
Link	Dupx	10Act	100Act	COL

1. You could simply connect RESETB to PCI Reset. And just discard R30, R28, C20.
2. If Wake on Lan feature is needed, you have to supply power from auxiliary power for all LAN-related circuit including RTL8201BL/CL/CP and MAC. In this kind of application, discard R29 and retain other components for one resetting upon power up.

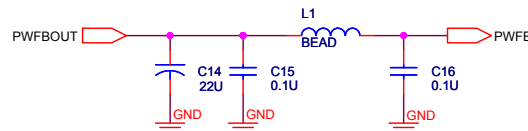


Hardwire Configuration network:

1. This configuration shows
Enable: Auto negotiation, Full duplex, 100Mbps, Link Down Power Saving, MII interface
Disable: Isolate, Repeater mode
2. These seven configuration pins could be connected to VDD or GND directly.



Place L2, C17, C18, C19 as close to each power pin as possible.

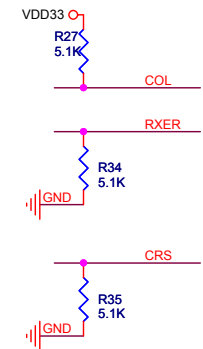


Place C14, C15, L1 close to PWFBOU and place C16 close to PWFBIN.

R27 is reserved for 8201CL/CP LED Mode Change to compatible with BL

R34 is reserved for ensuring 8201BL/CL/CP latch to UTP Mode.

R35 is reserved for ensuring 8201CL/CP latch to normal operation mode.



Title		
RTL8201BL/CL/CP application circuit - interface with MAC(MII)		
Size	Document Number	Rev
B	RTL8201BL/CL/CP MII	1.5
Date:	Thursday, November 26, 2009	Sheet 1 of 1