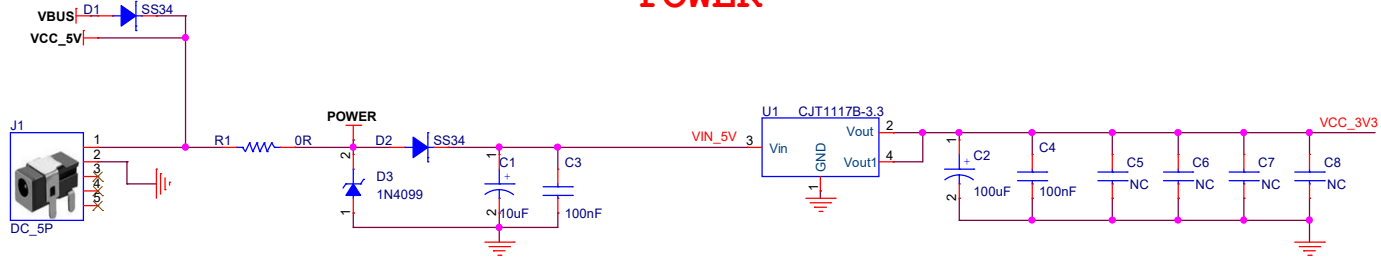
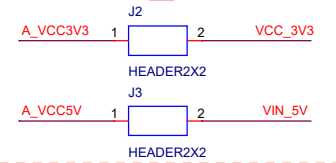


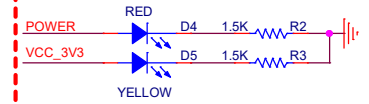
## POWER



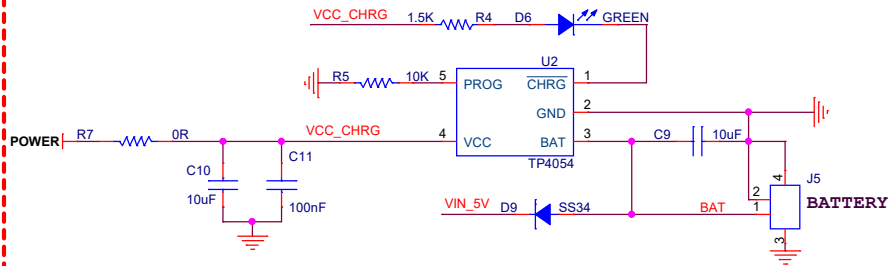
## POWER\_JUMPER



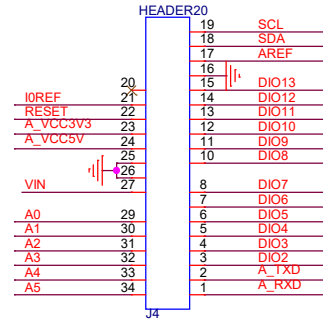
## POWER\_LED



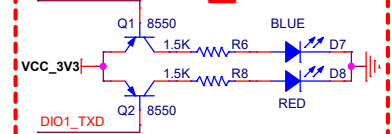
## CHARG



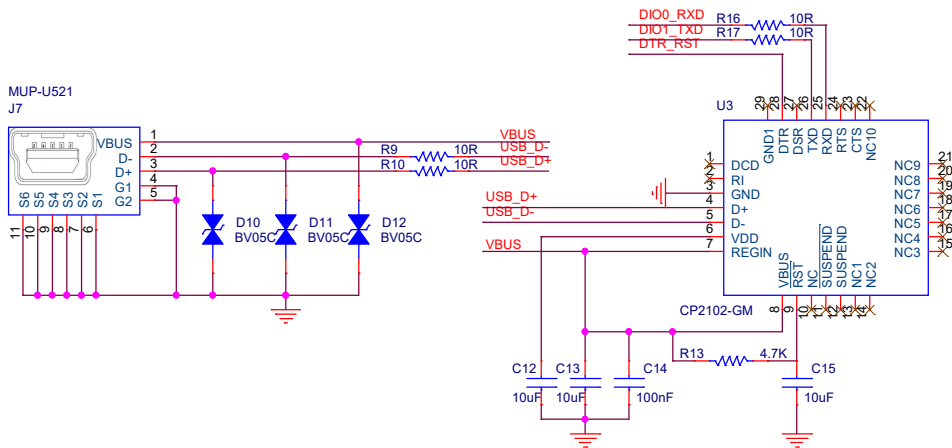
## Arduino



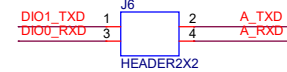
## UART\_LED



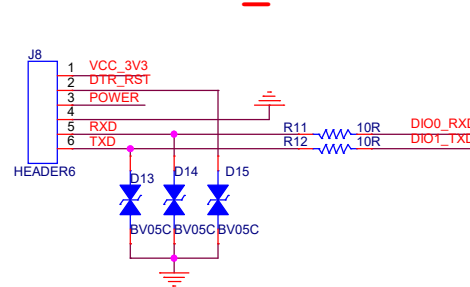
## USB\_UART



## UART\_JUMPER



## UART\_CONNECT



## MARK

